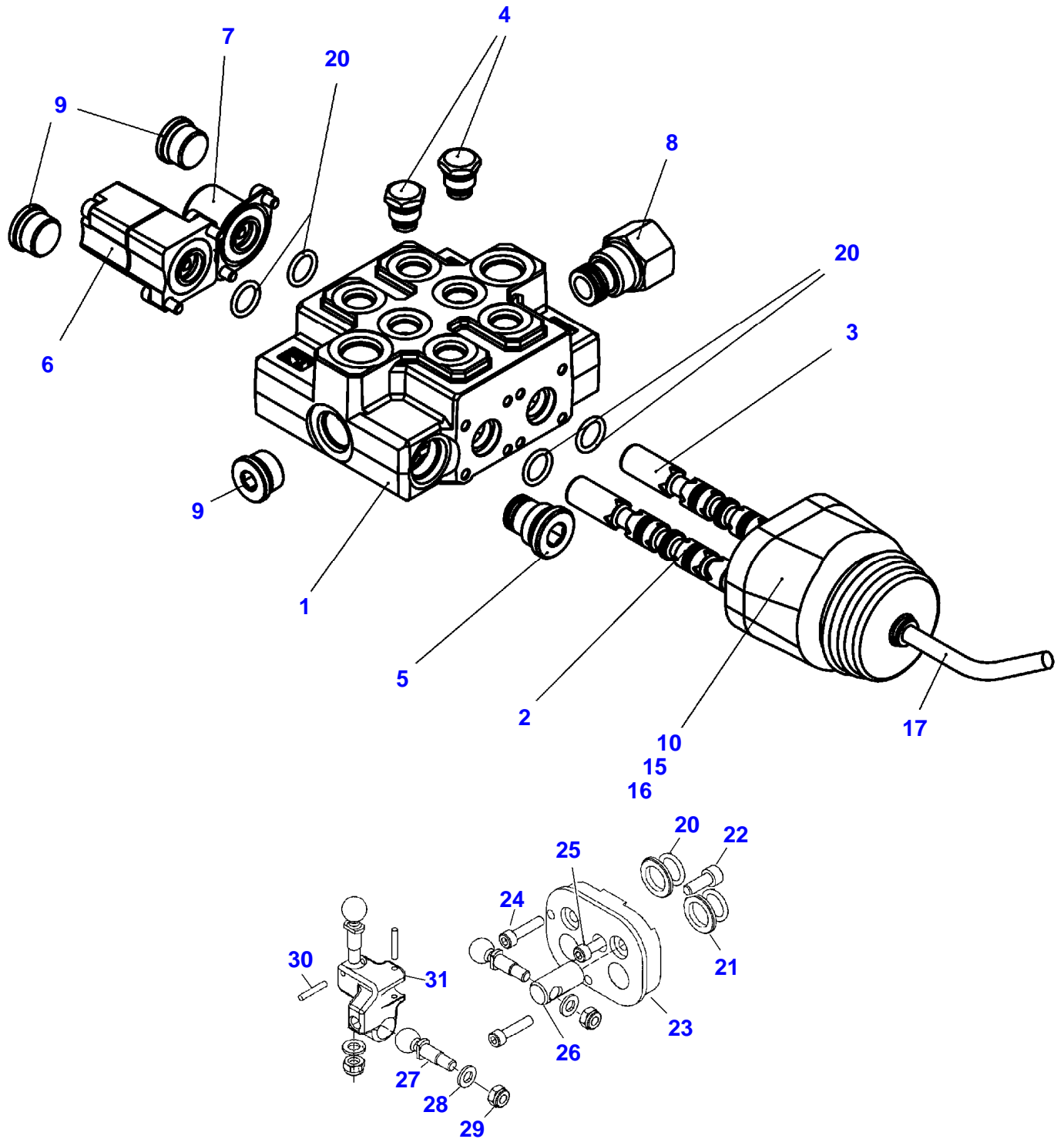


L100 MOUNTED LOADER VALVE ASSEMBLY - JOYSTICK CONTROLLED

SL103337



Massey Ferguson
L100 MOUNTED LOADER

651856

VALVE ASSEMBLY - JOYSTICK CONTROLLED

Page04-0009

Item	Part Number	Qty	Description Comments	Technical Specification
			11817-2S	
	SL103337	1	VALVE COMPLETE	112 NIMCO (11817-2S)
1	NS	1	NON-SERVICEABLE PART SPOOL BODY	
2	NS	1	NON-SERVICEABLE PART SPOOL	
	71515904	2	O-RING	13.3 X 2.4
3	NS	1	NON-SERVICEABLE PART SPOOL	
	71515904	2	O-RING	13.3 X 2.4
4	71516032	2	CHECK VALVE	
	71516043	-	O-RING	11.89 X 1.98
5	71516363	1	MAIN RELIEF PLUG	
	71515927	1	O-RING	17.3 X 2.4
	71516183	1	O-RING	
	71516184	1	BACKUP RING	
6	71516514	1	CONTROL	
7	71516123	1	CONTROL	
8	71516030	-	POWER BEYOND SLEEVE	
	71516187	1	O-RING	19.25 X 2.46MM
	71515904	1	O-RING	13.3 X 2.4
	71516188	1	BACK UP WASHER	
9	NS	3	NON-SERVICEABLE PART PLUG	
10	71516515	1	JOYSTICK	
15	71515917	1	BOOT	RUBBER
16	71515982	1	BOOT GUIDE	
17	71516516	1	JOYSTICK LEVER	
20	71515904	4	O-RING	13.3 X 2.4
21	71515905	2	FLAT WASHER	
22	71515906	1	SCREW	M6 X 16
23	71515907	1	BASEPLATE	
24	71515908	2	SCREW	M5 X 16
25	71515909	1	SCREW	M5 X 16
26	71515910	1	JOINT FOUNDATION PIN	
27	71515911	3	BALL STUD	
28	71515912	3	FLAT WASHER	M6
29	71515913	3	HEX NUT	
30	71516517	2	PIN	
31	71516518	1	YOKE, RIGHT HAND	
	71516519	-	SEAL KIT COMPLETE	