



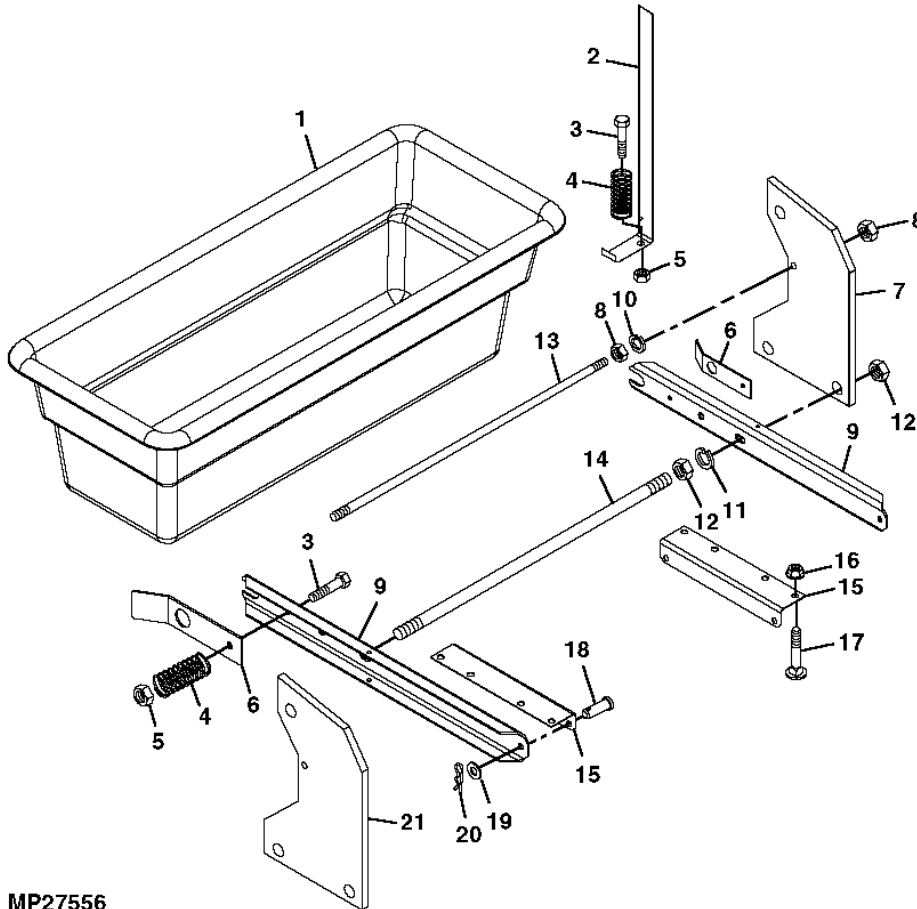
John Deere - Parts Catalog
Printer Friendly Page

[Close Window](#)

Catalog: 9151 | Grid: 112 | Section: 70 | Page: 2

Catalog Name: **Attachments for X465,X475,X485,X495,X565,X575,X585,X595,X700,X720,X724,X728,X740,X744,X748 Tractors**

Page Name: **TRACTOR TRUNK**



MP27556

KEY	PART NO.	PART NAME	QTY	SERIAL NO.	REMARKS
1	M137362	HOPPER	1		
2	M137363	LEVER	1		
	M133490	COVER	1		
3	19H2721	CAP SCREW	3		1/4" X 1-1/2"
4	M132780	SPRING	3		
5	M40333	LOCK NUT	3		
6	M137360	LATCH	2		
7	M146658	SUPPORT	1		LH
8	14H1076	NUT	4		3/8"
9	M137358	CHANNEL	2		
KEY	PART NO.	PART NAME	QTY	SERIAL NO.	REMARKS
10	12H304	LOCK WASHER	2		3/8"
11	12H301	LOCK WASHER	4		1/2"
12	14H1040	NUT	8		1/2"

13	M146660	STUD	1		(SMALL DIAMETER)
14	M137359	ROD	2		(LARGE DIAMETER)
15	M137361	SUPPORT	2		
16	N10213	LOCK NUT	4		
17	M132783	BOLT	4		
18	M132776	PIN FASTENER	2		
19	24H1305	WASHER	2		13/32" X 13/16" X 0.065"
KEY	PART NO.	PART NAME	QTY	SERIAL NO.	REMARKS
20	J16931	PIN	2		
21	M146659	SUPPORT	1		RH