



# NICOLA'S MACHINERY

## TRIDENT TRACTOR & IMPLEMENTS



**MODEL 404 40HP 4WD**

**TRACTOR+FEL+SLASHER SHUTTLE SHIFT FOR SALE**



**We endeavour to provide the best value multi-functional compact tractors with your choice of implements for your one stop farming solutions.**

**2 Years Warranty - Labour & Parts South Australia Based - Delivery Australia Wide**



## Description

We are an Australian owned and operated company based in South Australia offering an extensive range of agricultural tractors, tractor implements & parts. Trident series are engineered strong and rugged, built for OZ at affordable prices.

Our local experienced mobile mechanics offer a premium scheduled service or emergency roadside assistance, 24 hours a day, 7 days a week, they will come to you at home, at work, at your convenience; any time of the day or night. Alternatively we can supply parts to you or your local mechanic and send full instruction (photos & videos) if you prefer to service the tractor by yourself. We will always find the best economical way to look after your service & warranty.

Our TRIDENT 40HP series adopted the heaviest and strongest chassis in the HP range, solid and strong for all small to medium size farming & landscaping work.

Tractor constructional weight is 2410kg with Front End Loader, which is several hundred kilos heavier than our competitors 40HP tractors.

## Features

- Ag 10Ply, 7.5 - 16 front tyres & 12.4 - 24 rear tyres (Largest in the HP range) with rear tyre weights for any tough work conditions.
- Quick Hitch FEL with 4 in 1 bucket (450kg lifting capacity)
- Ergonomically designed gear selectors & controls
- Flat & clear deck for comfortable driving (Not many tractors in the market have flat & clear deck within this HP range at this price) - best value 40HP in the market
- Roll-Over Protection System+ ROPS with Canopy
- Two stage ceramic clutch
- High Low 8Fx8R Gears with Shuttle Shift
- 540/760 Dual Speed PTO
- Two Groups Hydraulic Outputs
- Full Lighting system
- Hydraulic Up & Down 3 Points Linkage
- Power Steering
- Differential Lock



# TRIDENT 404 40HP 4WD SPECIFICATIONS

## ENGINE

Engine Model	YTO YD4RT5
Engine Type	Diesel
Engine Gross Power	40hp 29.4kW
PTO Power	34.7hp 25.5kW
No. of Cylinders	4
Total Displacement	2.34L
Rated Speed	2400 rpm
Battery	12V 120ah
Alternator	14V 350W
Fuel Tank Capacity	27.5L

## DRIVE 4x4

Transmission	Shuttle shift 8+8
Steering	Power steering
Brakes	Dry
Clutch	Dual stage dry clutch
PTO	540/1000 rpm

## HYDRAULICS

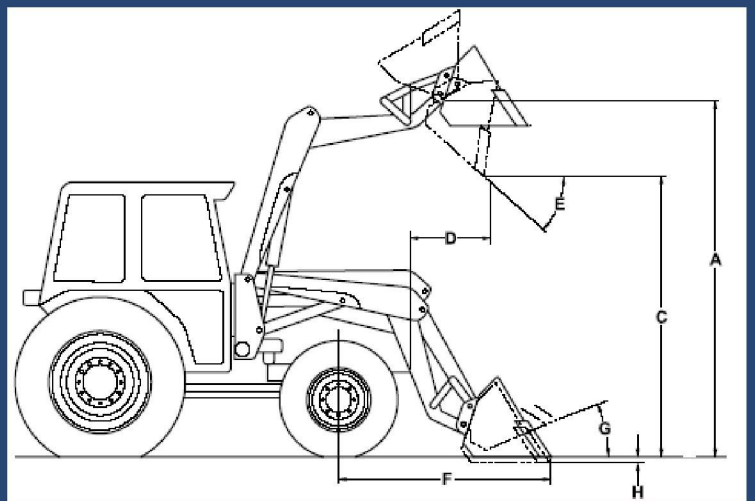
Hydraulic Remotes	Dual
Hydraulic Up/Down	Yes
Total Hydraulic Flow	48L/min
TPK	Cat 1
Lift Capacity at 610mm	680kg

## DIMENSIONS

Overall Length	4,850mm
Overall Width	1,550mm
Overall Height	2,400mm
Min. Ground Clearance	310mm
Min. Turning Radius	3,800mm
Weight with Loader	2,410kg
Ag Tyre Size	Front 7.5-16; Rear 12.4-24

## FRONT END LOADER

Model	TZ04D
Max.lift height (mm) (A)	2,700
Max.dump height (mm) (C)	2,000
Dump distance (mm) (D)	900
Dump angle (°) (E)	45°
Bucket width (mm)	1,482
Bucket capacity (m <sup>3</sup> )	0.2
Rollback angle on ground (°) (G)	32
Distance of bucket to the centre of front-wheel (mm) (F)	1,930
Max. digging depth (mm) (H)	140
Rated lift capacity (kg)	450



### \*YTO Diesel Engine:

The YTO Group Corporation is a Chinese agriculture and construction machinery manufacturer that is part of Sinomach, a comprehensive machinery conglomerate. Although composed of many subsidiaries and divisions that manufacture a range of products including agricultural tractors, engines, combine harvesters and trucks, the company is best known for farming equipment. The company founded in 1955 is the largest manufacturer of tractors in China. A subsidiary of the company operates under the name China First Tractor.

### Nicola's Machinery Pty Ltd EXCLUSIVE AUSTRALIAN DISTRIBUTOR

Address: 40 Donegal Road Lonsdale, SA 5160

Website: [www.nicolasmachinery.com.au](http://www.nicolasmachinery.com.au)

Phone Number: 08 7228 6817

Email: [terry@nicolasmachinery.com.au](mailto:terry@nicolasmachinery.com.au)

specifications may change without notice. stock is subject to availability. All information is correct at time of printing.