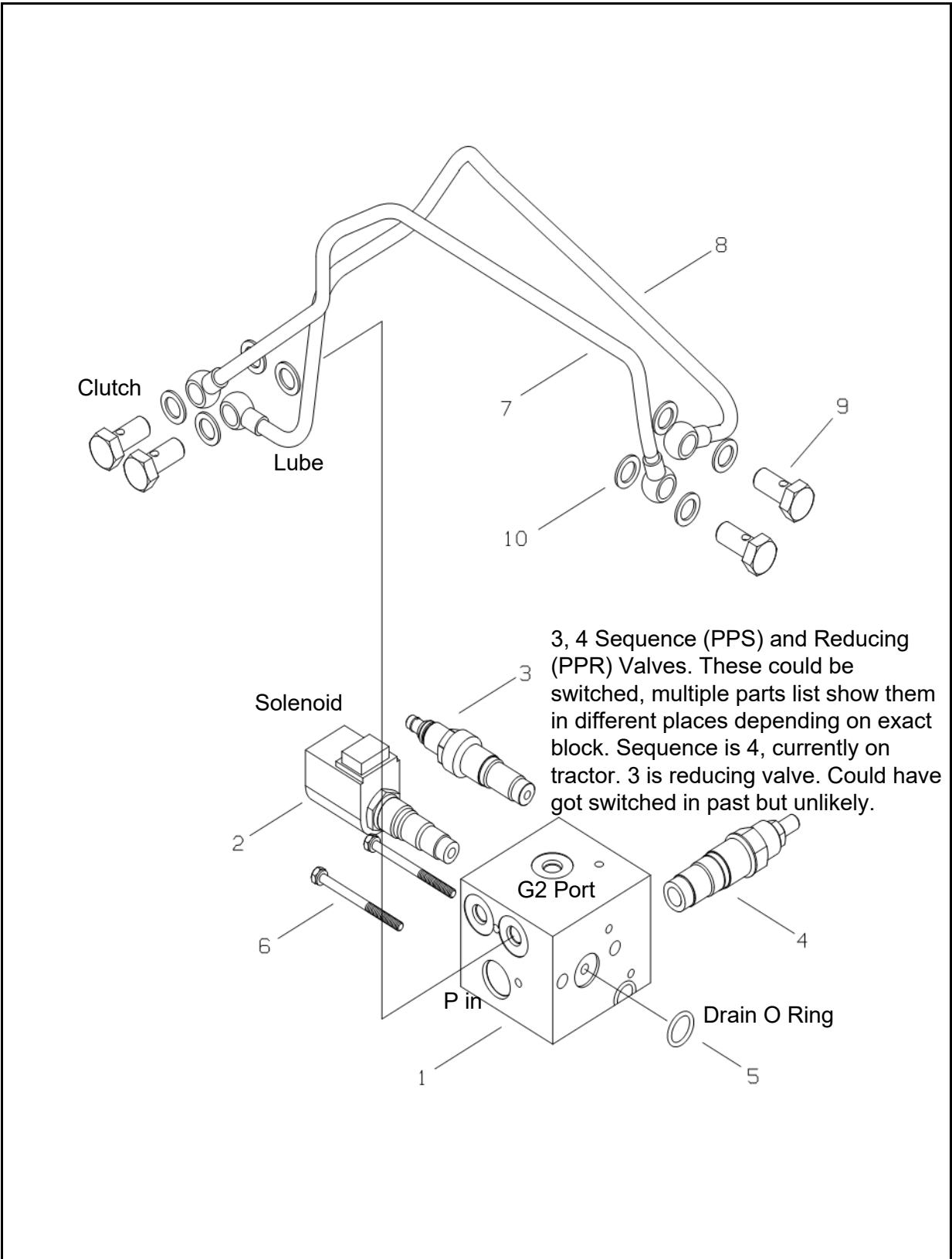


TM CONTROL VALVE

FIG. 9-3F

G. 822



TM CONTROL VALVE

A-R36 / B-R39 / C-R45

A-NOT AVAILABLE / B-R41 / C-R47

FIG. 9-3F

(HST, INDP)

NO.	PART NO.	PART NAME & DESCRIPTION	QTY			APP. NO	REM.
			A	B	C		
1~5	A1822155	VALVE ASSY	1	1	1		
1	A1822176	BLOCK, PTO VALVE	1	1	1		
2	A1822091	VALVE, PTO. SOL.	1	1	1		
3	A1822105	VALVE, SEQUENCE	1	1	1		
4	A1822093	VALVE, REDUCING	1	1	1		
5	S801016010	O-RING	2	2	2		
6	S153089033	BOLT, HEX.	2	2	2		
7	A1823459	PIPE, PTO CLUTCH	1	1	1		
8	A1823519	PIPE, PTO LUBRICATION	1	1	1		
9	A1823157	BOLT, UNION	4	4	4		
10	A1823158	WASHER, COPPER	8	8	8		