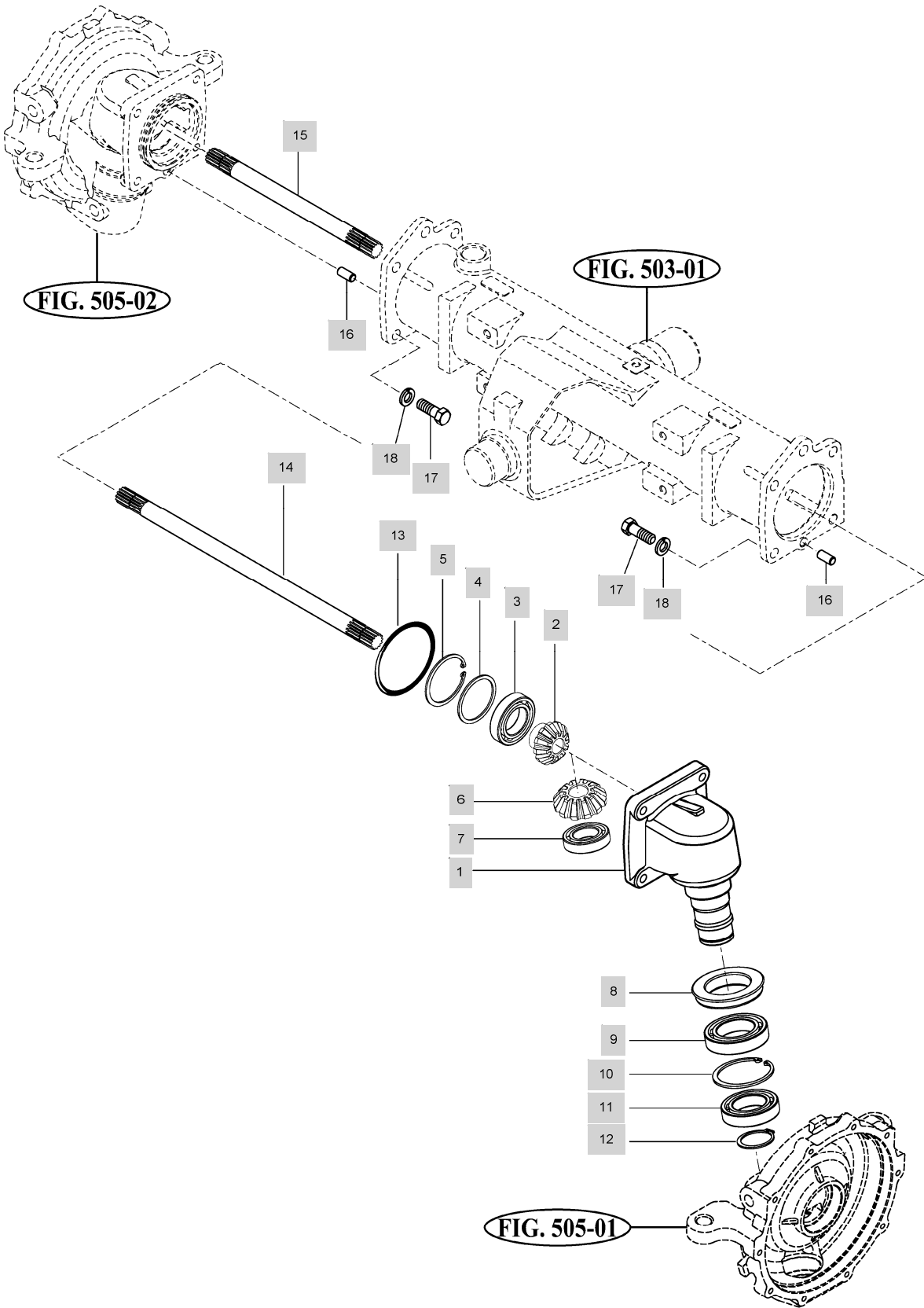


FIG 504

FRONT GEAR CASE (1)

년/월
Year/Month

2018/04



T233/T273-E-504A

NOTE

