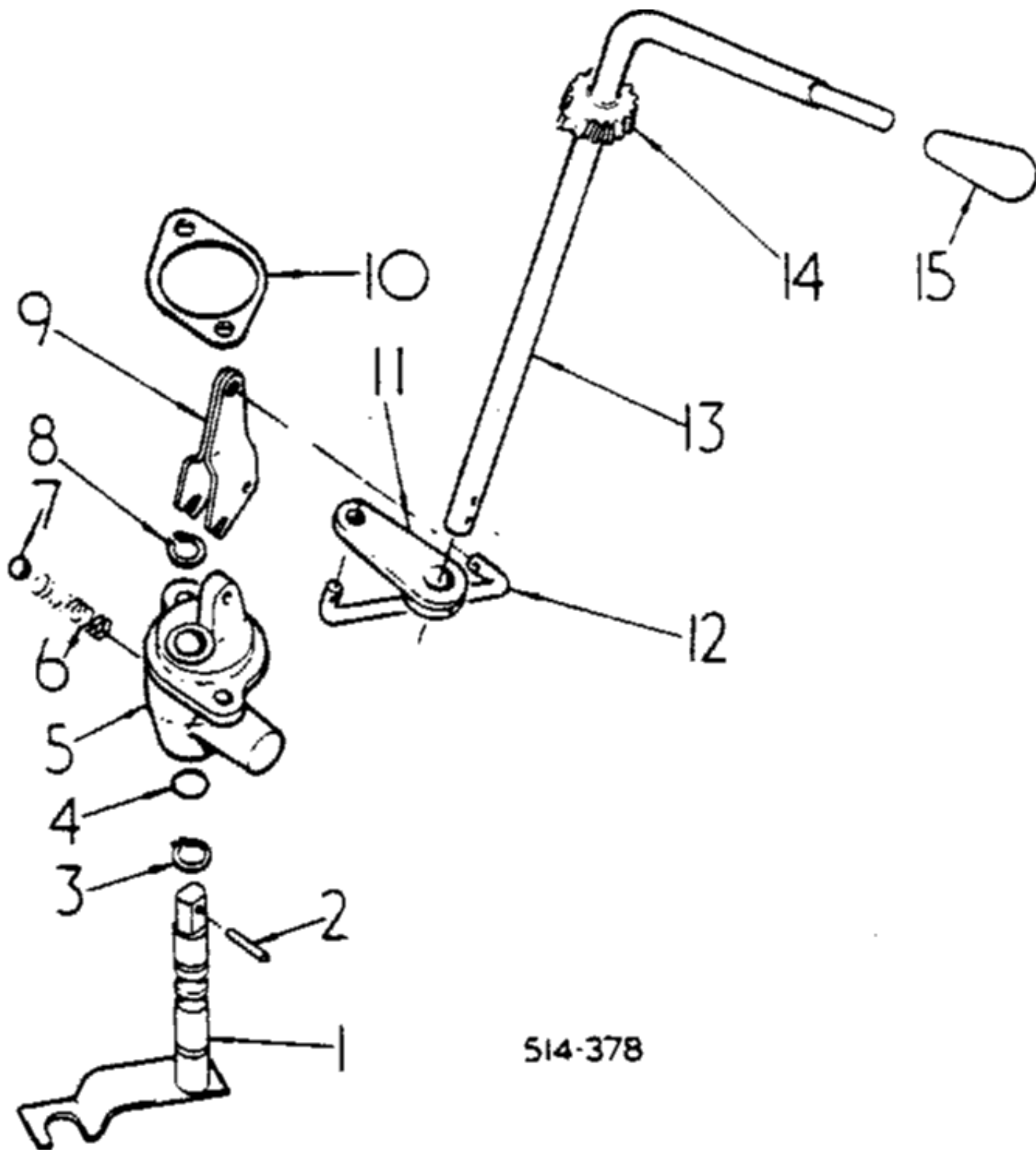


784 INTERNATIONAL DIESEL TRACTOR (NORTH AMERICA) (1/79-12/81)
07-19 DRIVE TRAIN, TORQUE AMPLIFIER LEVER AND CONNECTIONS



514-378

**784 INTERNATIONAL DIESEL TRACTOR (NORTH AMERICA) (1/79-12/81)
07-19 DRIVE TRAIN, TORQUE AMPLIFIER LEVER AND CONNECTIONS**

Key	Qty	Part Number	Part Name	Description
1	1	531553R1	Lever Assy.	Lever Assy, Ta Control
2	1	20702R1	Dowel	Pin, 3/16 X 3/4 Dowel
3	1	309032R1	Snap Ring	Ring, Snap, #62, Ext, Ta Control Shaft
4	1	370920R1	O-ring	O-ring, 1/2 X 5/8 X 1/16
5	1	402595R2	Support	Support, Ta Control Shaft
	2	179814	Bolt	Bolt, 5/16 X 5/8 Pln Type 5
	2	103320	Lock Washer	Washer, Lock, 5/16"
6	1	402596R1	Spring	Spring, Ta Control
7	1	17014R1	Ball	Ball, 7/16 Cr Stl
8	1	309032R1	Snap Ring	Ring, Snap, #62, Ext, Ta Control
9	1	402589R1	Lever Assy.	Lever Assy, Ta Control
	1	22731D	Split Pin/safety Pin	Pin, 1/4 X .906 Pln Clevis
	1	16558R1	Washer	Washer, .266 X .625 X .036 Pln
	1	107761	Cotter Pin	Pin, Split (cotter), 1/16" X 5/8"
10	1	401623R1	Gasket	Gasket, Ta Control Shaft Support
11	1	402585R2	Arm Assy.	Arm Assy, Ta Control
	1	364577R1	Pin	Pin, 5/32" X 3/4", Coiled
12	1	402588R1	Rod	Rod, Ta Control
	2	103389	Split Pin/safety Pin	Pin, Split (cotter), 1/8" X 2"
	2	103384	Cotter Pin	Pin, Split (cotter), 1/8" X 3/4"
13	1	3121402R1	Rod	Rod, Ta Control Handle
14	1	528290R1	Guide Ring	Collar, Ta Control Handle
	1	222335	Set Screw	Screw, No. 8 X 3/8 Pln F/pt Hdl/hs Set
15	1	402584R1	Button	Knob, Ta Control Handle Rod
	1	Q5035	Washer	Washer, .531 X 1.000 X .054 Pln
	1	103384	Cotter Pin	Pin, Split (cotter), 1/8" X 3/4"
	1	533594R1	Decal	Product Graphic, Ta Control
	1	1093324R1	Product Graphic	Product Graphic, Deceleration Warning