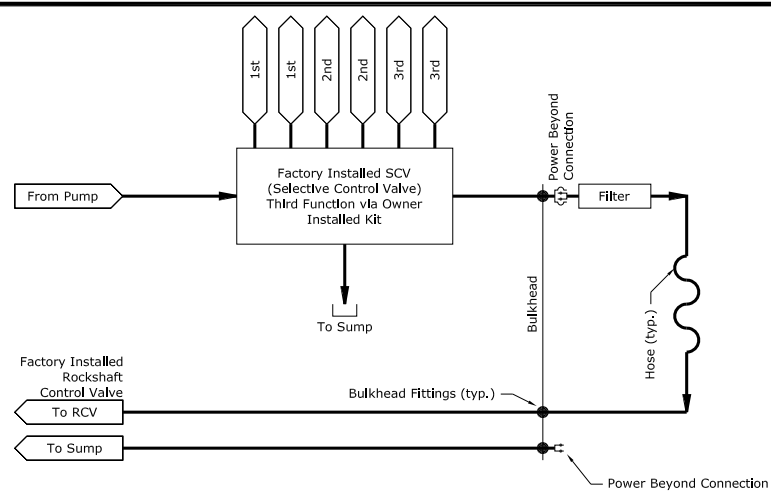
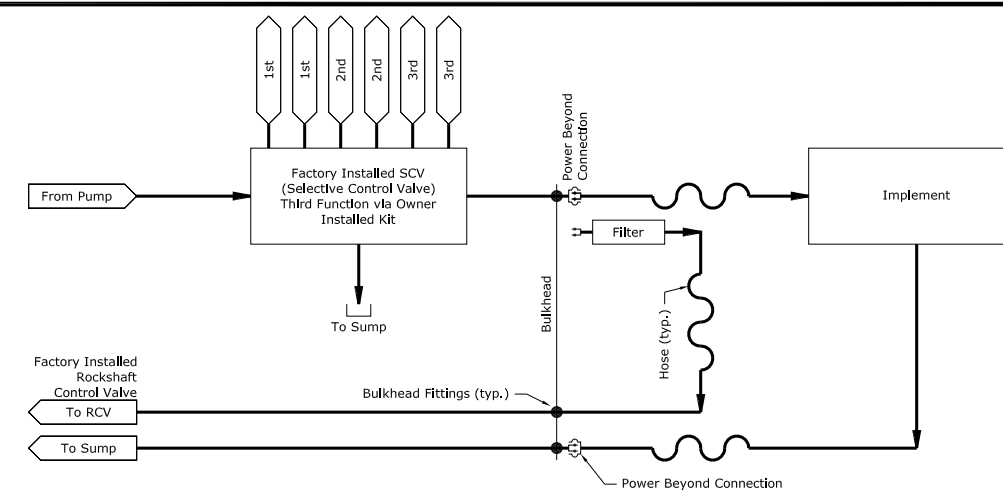


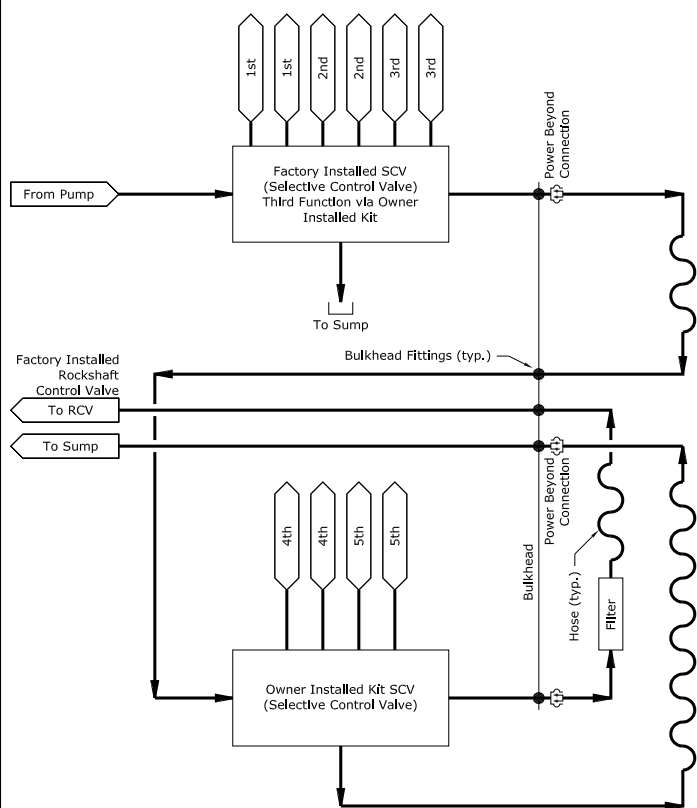
As Factory Ordered w/o Power Beyond Kit



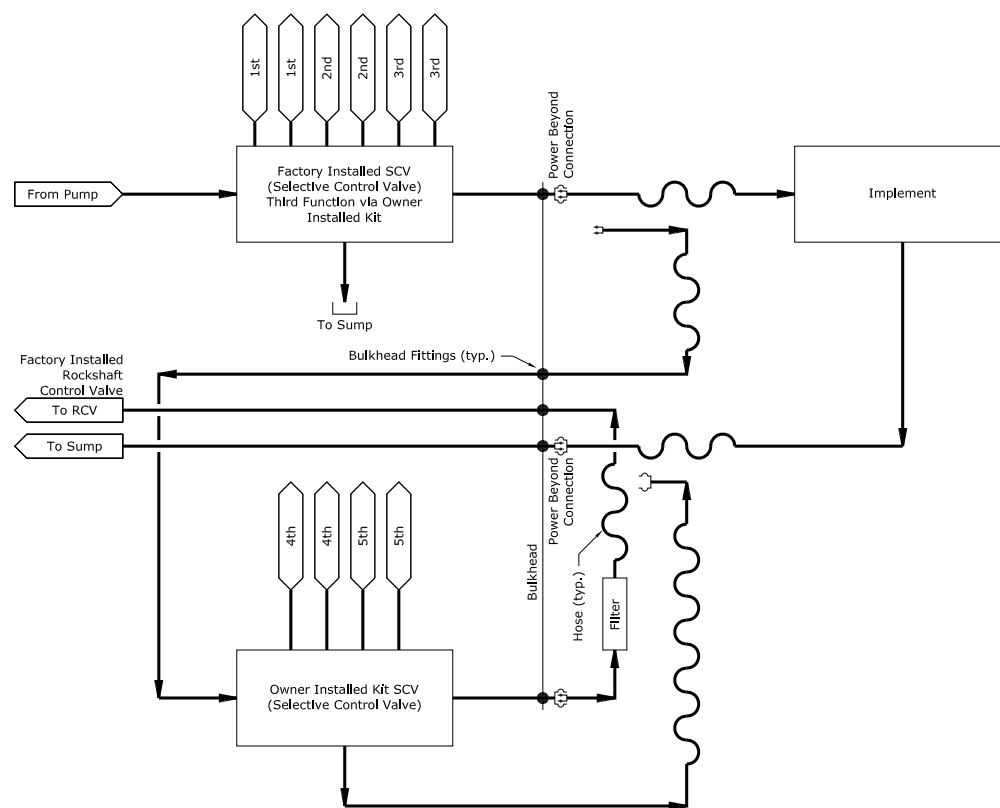
Rockshaft Enabled, Power Beyond Kit Disabled



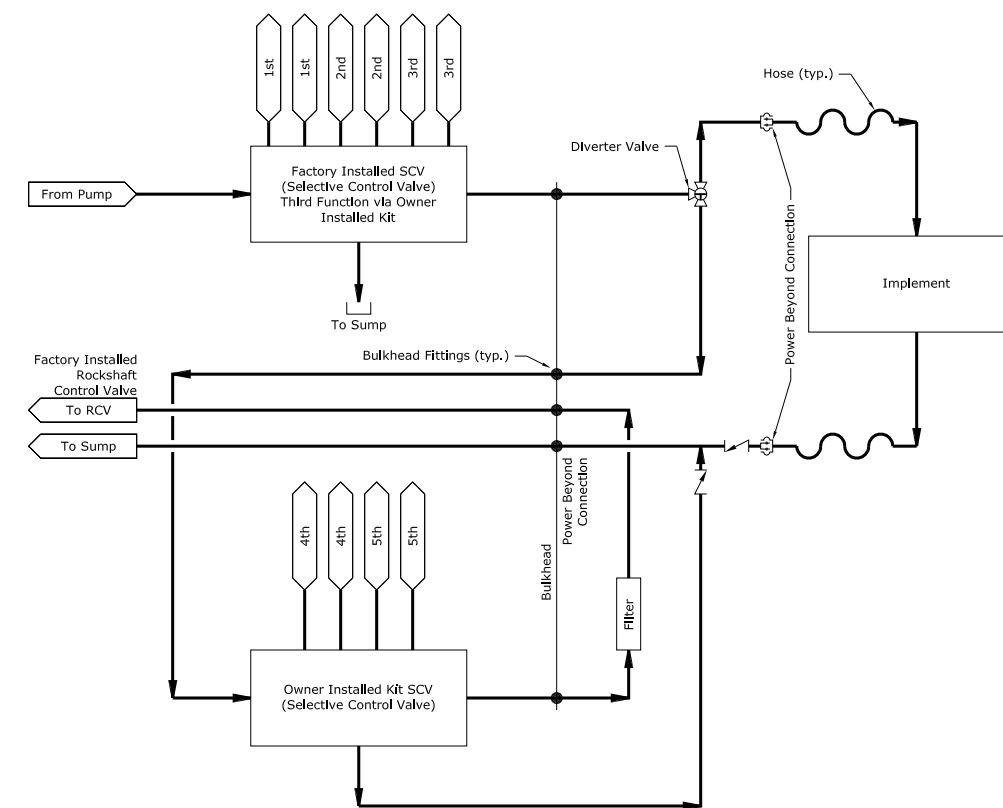
Rockshaft Disabled, Power Beyond Kit Enabled



Rockshaft, 4th & 5th Functions Enabled, Power Beyond Kit Disabled

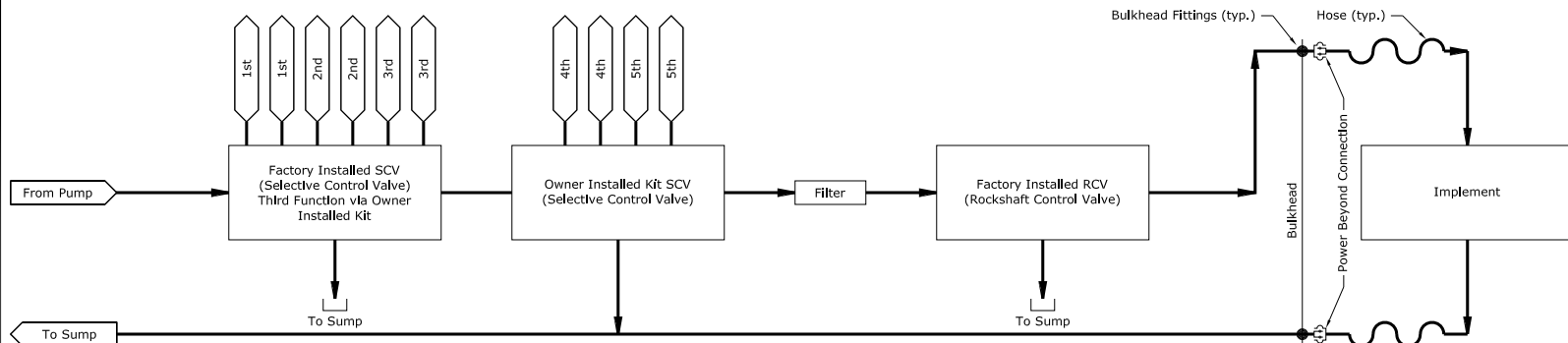


Rockshaft, 4th & 5th Functions Disabled, Power Beyond Kit Enabled



Proposed Improvement Schematic  
Rockshaft, 4th & 5th Functions Enabled,  
Power Beyond Kit Disabled

Substitute hard lines for existing hoses and add check valves and diverter valve where shown.



How It Should Have Been Done If A  
Power Beyond Port Was Available In The RCV

NO.	REVISIONS	DATE	BY	APP'D.	REVIEW STATUS							
					DESIGNER:	APPROVAL	DATE	APPROVAL	DATE	APPROVAL	DATE	
0	For information only	10/26/08	MJN	---	M.J. NICHOLAS		10/26/2008	ENG./ARCH.:				
---		mm/dd/yy	---	---					mm/dd/yyyy	CLIENT:		mm/dd/yyyy
---		mm/dd/yy	---	---								
---		mm/dd/yy	---	---								
---		mm/dd/yy	---	---	USERNAME: Matt	DATE: 10/26/2008	TIME: 14:26	LAYOUT: ANSI D	AutoCAD: 17.2s	PLATFORM: Microsoft Windows NT Version 5.1 (x86)		
---		mm/dd/yy	---	---	DWG. FILE: SCV-01.dwg					PLOT FILE: lw-metric.stb		PLOT SCALE: 1.055372:1
---		mm/dd/yy	---	---	DWG. FOLDER: C:\Documents and Settings\All Users\Documents\automotive\2001_John_Deere_4200\Hydraulics\							

Proudly Designed  
in the USA!

**John Deere 4200 - 4400 Compact Tractors**  
Selective Control Valve Hydraulic Schematics

For Information Only

CLIENT PROJECT NUMBER N/A	IMAjIne PROJECT NUMBER N/A	DRAWING NUMBER SCV-01
------------------------------	-------------------------------	--------------------------