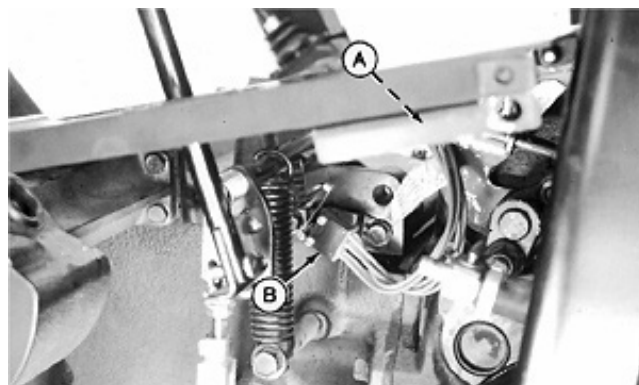


Replace Rear PTO Switch—Tractors Without Cab

NOTE: Left wheel, fender, and fuel line removed for illustration purposes only.

1. Disconnect wiring connector (A).
2. Replace rear PTO switch (B).
3. Connect wiring connector.



LV524 -UN-09MAR92

A—Wiring Connector
B—Rear PTO Switch

40
10
16

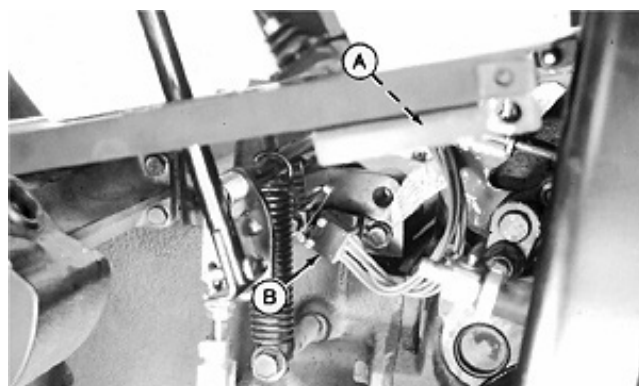
AG,OUO1085,85 -19-08AUG00-1/1

Replace Rear PTO Switch—Tractors With Cab

NOTE: Tractor without cab shown for illustration purposes only.

If necessary remove cab seat, support, and left control console and panel.

1. Remove seat and support plate. (See Remove and Install Seat and Support Plate—Tractors With Cab in Section 90, Group 05.)
2. Remove left control console and panel. (See Remove and Install Left-Side Control Console—Tractors With Cab in Section 90, Group 15.)
3. Disconnect wiring connector (A).
4. Replace rear PTO switch (B).
5. Connect wiring connector.
6. If removed, install console support plate, base plate, and seat.



LV524 -UN-09MAR92

A—Wiring Connector
B—Rear PTO Switch

AG,OUO1085,86 -19-08AUG00-1/1