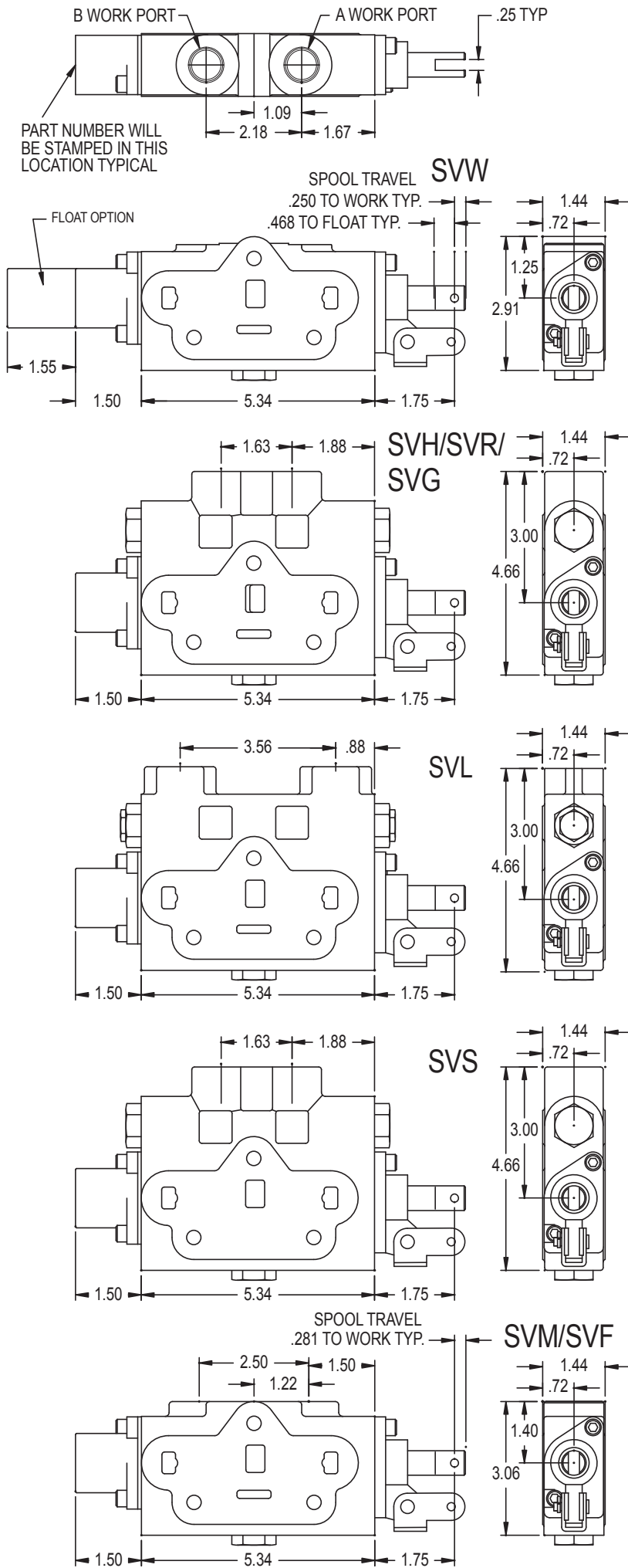
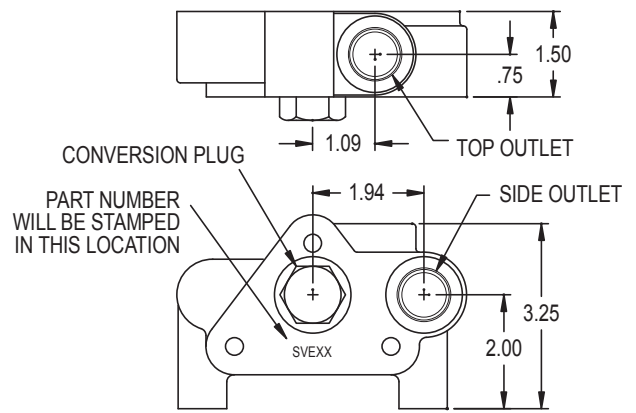


## DIMENSIONAL DATA

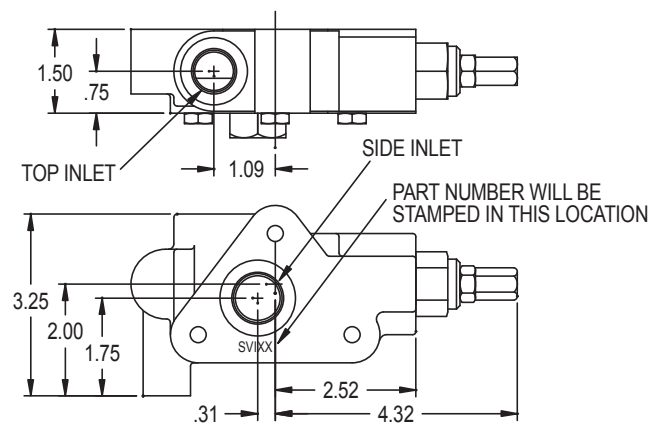
### WORK SECTIONS



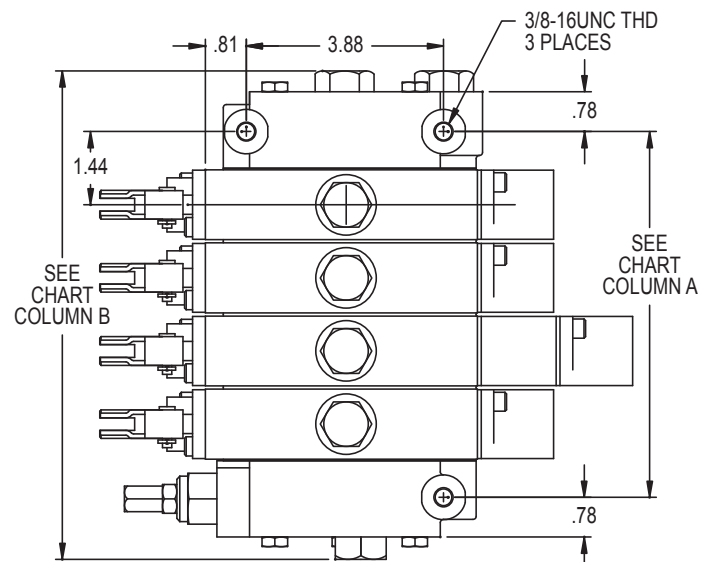
### OUTLET COVER



### INLET COVER



### BOTTOM VIEW OF MOUNTING DIMENSIONS



Number of Work Sections "A" "B\*\*"

Number of Work Sections	"A"	"B**"
1	2.875	5.875
2	4.312	7.312
3	5.750	8.750
4	7.187	10.187
5	8.625	11.625
6	10.062	13.062
7	11.500	14.500
8	12.937	15.937
9	14.375	17.375
10	15.812	18.812

\*With #10 plug in inlet & power beyond in outlet.