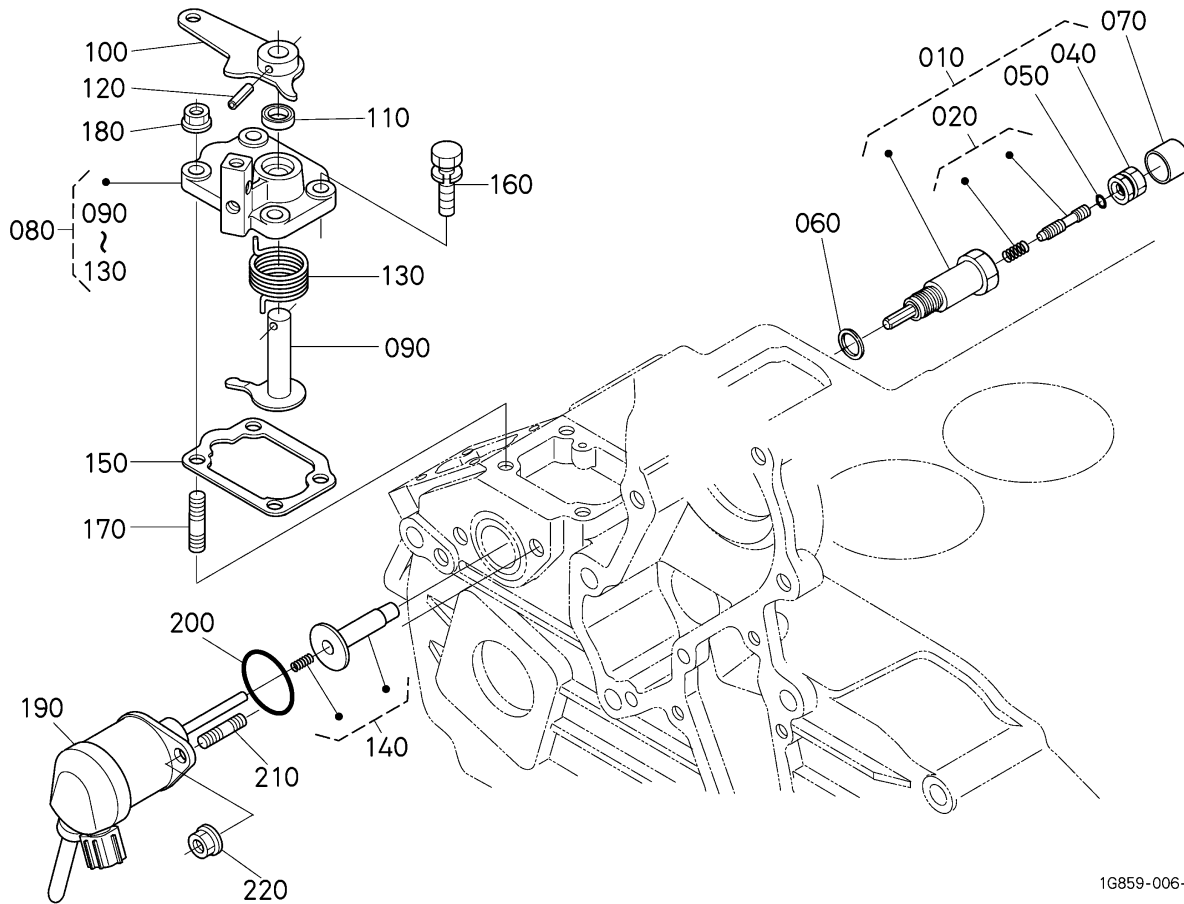


L48 -> ENGINE -> 020000 ENGINE STOP LEVER ## L48

Update Date: 07/28/2014, Printing Date: 07/05/2021



1G859-006-11

L48 -> ENGINE -> 020000 ENGINE STOP LEVER ## L48

Update Date: 07/28/2014, Printing Date: 07/05/2021

Interchangeable =, Not Interchangeable NI, New for Old >>, Old for New <<

No	Part Number	Part Name	Qty	RoundUp	IC	S/N	Remarks	Kg
010	1A021-54160	APPARATUS,IDLING	1					0.2266
020	1G911-54100	BOLT,ASSY(ADJUSTMENT)	1					0.0176
040	1G911-92010	NUT(SPRING)	1					0.033
050	04814-00060	RING	1					0.0022
060	04724-00140	GASKET	1					0.0044
070	1G911-54270	CAP	1					0.0044
080	1A021-57700	ASSY LEVER,ENG.STOP	1			<=5S1656		0.4048
080	1A021-57703	LEVER,ASSY(ENG.STOP)	1		>>	>=5U0001		0.4048
090	1A021-57710	COMP.LEVER,STOP	1					0.0836
100	1A021-57720	LEVER(ENGINE STOP)	1					0.121
110	15471-57980	SEAL,OIL	1			<=5S1656		0.0022

L48 -> ENGINE -> 020000 ENGINE STOP LEVER ## L48

Update Date: 07/28/2014, Printing Date: 07/05/2021

Interchangeable =, Not Interchangeable NI, New for Old >>, Old for New <<

No	Part Number	Part Name	Qty	RoundUp	IC	S/N	Remarks	Kg
110	16691-57980	SEAL,OIL	1		>>	>=5U0001		0.0022
120	05411-00420	PIN,SPRING	1					0.0022
130	1A021-57920	SPRING,RETURN	1					0.022
140	1A021-56602	COMP.GUIDE,SOLENOID	1					0.0154
150	1A021-57210	GASKET,PLATE	1			<=6A2117		0.0022
150	1A021-57212	GASKET,PLATE	1		>>	>=6C0001		0.0022
160	01023-50620	BOLT,SEMS	2					0.0132
170	15221-88210	BOLT,STUD	2					0.011
180	02751-50060	NUT,FLANGE	2					0.011
190	1A021-60013	SOLENOID,ASSY	1			<=6L2266		0.638
190	1A021-60015	SOLENOID,ASSY	1		>>	>=6N0001		0.638
200	04814-06310	O RING	1					0.0044
210	15221-88210	BOLT,STUD	2					0.011
220	02761-50060	NUT,FLANGE	2			<=6L2266		0.0066
220	02751-50060	NUT,FLANGE	2		>>	>=6N0001		0.011