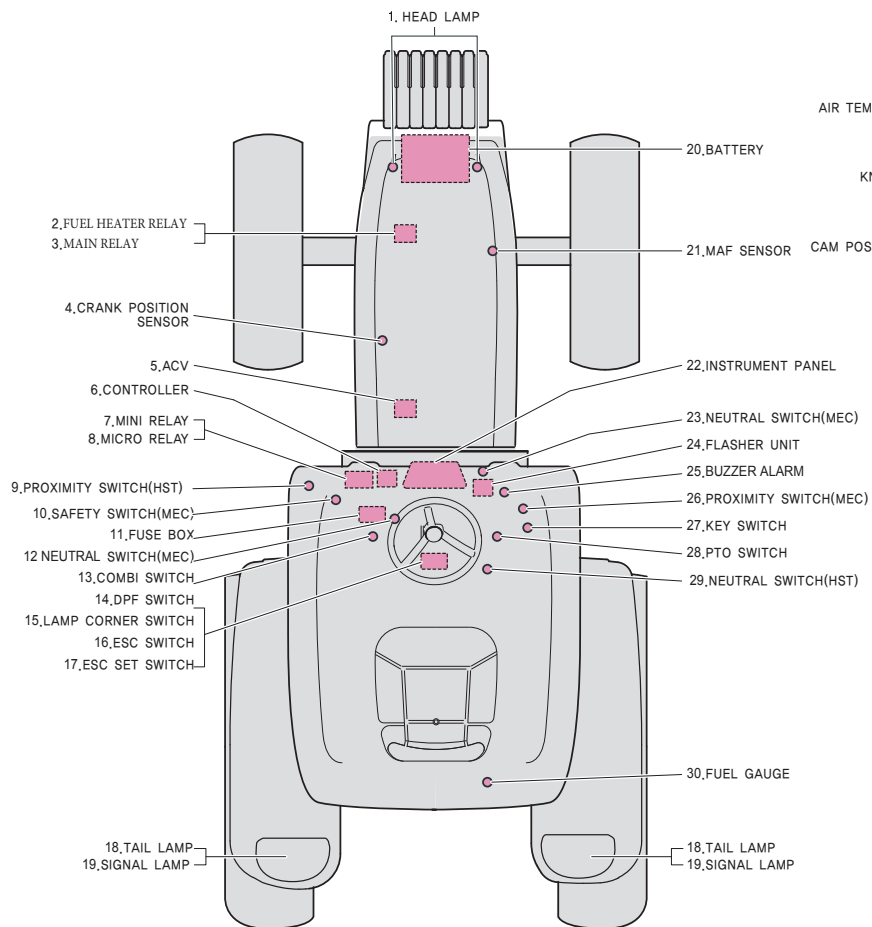
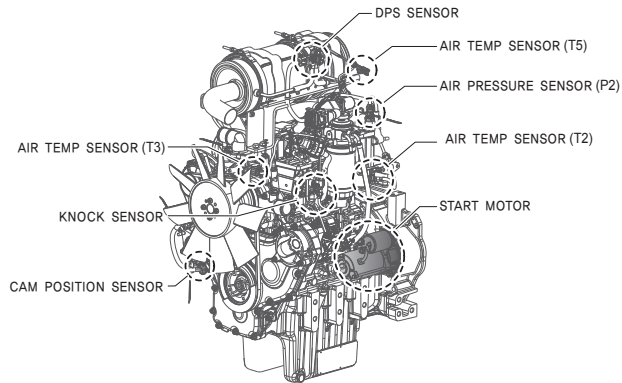


3. ELECTRICAL SYSTEM

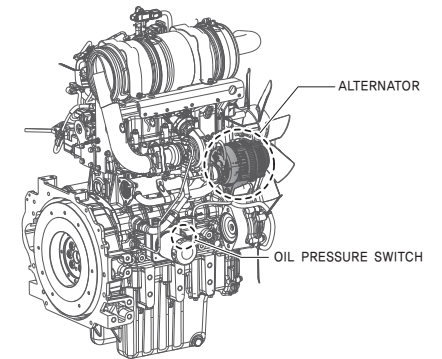
3.1 EXPLODED VIEW



ENGINE LH



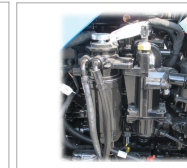
ENGINE RH



AIR TEMP. SENSOR (T3)



AIR TEMP. SENSOT (T2)



AIR TEMP. SENSOR (T5)



AIR PRESSURE SENSOR (P2)



DPF SENSOR



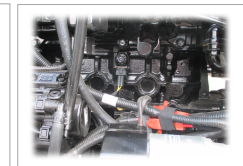
4. CRANK POSITION SENSOR



CAM POSITION SENSOR



KNOCK SENSOR



21. MAF SENSOR



6. CONTROLLER



GLOW RELAY



CONNECTOR-DIAGNOSIS

