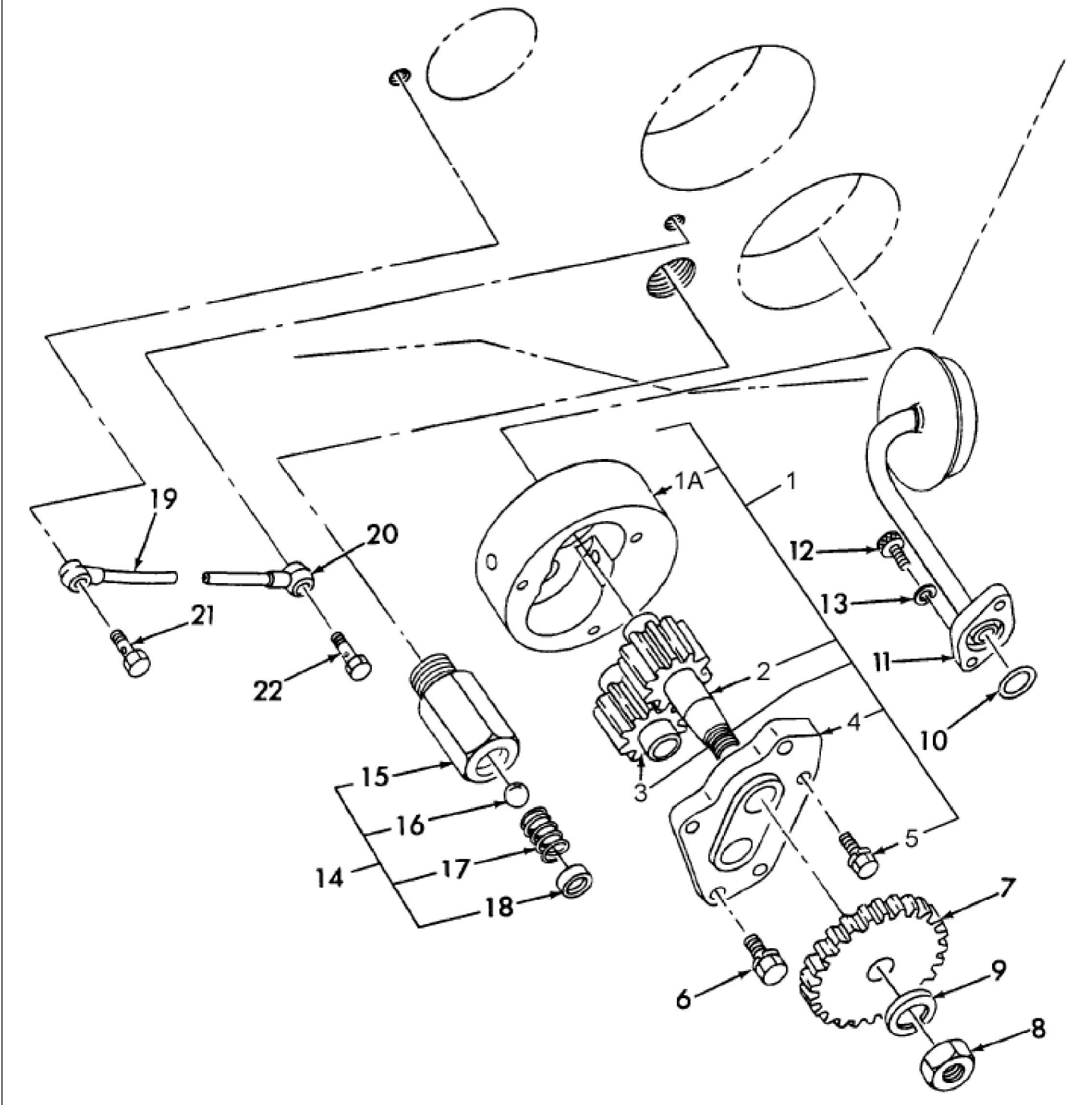


1700 2 CYL COMPACT TRACTOR (1/79-12/82)
06G02 OIL PUMP, 1500 & 1700



**1700 2 CYL COMPACT TRACTOR (1/79-12/82)
06G02 OIL PUMP, 1500 & 1700**

| Key | Qty | Part Number | Part Name | Description |
|-----|-----|--------------|-------------------------|--|
| 1 | 1 | SBA140016022 | Engine Oil Pump | Pump Assy., Oil Includes: Ref. 1A Thru 5, Start Year: 01/01/1979 |
| 1A | 1 | SBA140116020 | Case | Case, Start Year: 01/01/1979 |
| 2 | 1 | SBA140126042 | Small Pump | Gear, Start Year: 01/01/1979 |
| 3 | 1 | SBA140126050 | Small Pump | Gear, Start Year: 01/01/1979 |
| 4 | 1 | SBA140136010 | Cover | Cover, Start Year: 01/01/1979 |
| 5 | 3 | SBA011140616 | Bolt | Bolt, M6 X 16, Start Year: 01/01/1979 |
| 6 | 2 | SBA011510820 | Captive Washer Screw | Screw, Captive Washer, Hex, M8 X 1.25 X 20, G5, Start Year: 01/01/1979 |
| 7 | 1 | SBA140126062 | Gear | Gear, Start Year: 01/01/1979 |
| 8 | 1 | SBA021010010 | Nut | Nut, M10 X 1.25, Start Year: 01/01/1979 |
| 9 | 1 | 140028 | Lock Washer | Washer, Lock, M10, Start Year: 01/01/1979 |
| 10 | 1 | SBA052100140 | O-ring | O-ring, Start Year: 01/01/1979 |
| 11 | 1 | SBA140406170 | Filter | Filter Assy., 1500, Start Year: 01/01/1979 |
| 11 | 1 | SBA140406021 | Filter | Filter Assy., 1700, Start Year: 01/01/1979 |
| 11 | 1 | SBA140406110 | Filter | Filter Assy., 4WD, 1700, Start Year: 01/01/1979 |
| 12 | 2 | 86512134 | Screw | Screw, Cap, Hs, Cl 10.9, M6 X 1 X 16, Start Year: 01/01/1979 |
| 13 | 2 | PL | Procure Locally | Washer, Start Year: 01/01/1979 |
| 14 | 1 | SBA140036101 | Pressure Relief Valve | Valve Assy. Includes: Ref. 15 Thru 18, Start Year: 01/01/1979 |
| 15 | 1 | NSS | Not Serviced Separately | Case, Start Year: 01/01/1979 |
| 16 | 1 | NSS | Not Serviced Separately | Ball, Start Year: 01/01/1979 |
| 17 | 1 | NSS | Not Serviced Separately | Spring, Start Year: 01/01/1979 |
| 18 | 1 | NSS | Not Serviced Separately | Cap, Start Year: 01/01/1979 |
| 19 | 1 | SBA140606030 | Tube | Pipe Assy., Start Year: 01/01/1979 |
| 20 | 1 | SBA140606020 | Tube | Pipe Assy., Start Year: 01/01/1979 |
| 21 | 1 | SBA198486070 | Bolt | Bolt, Start Year: 01/01/1979 |
| 22 | 1 | SBA198486080 | Bolt | Bolt, Start Year: 01/01/1979 |