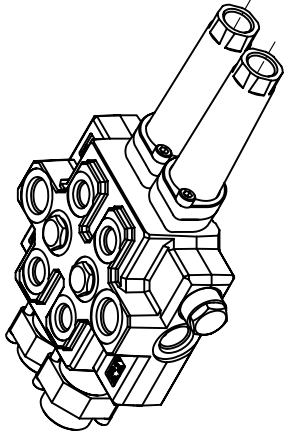
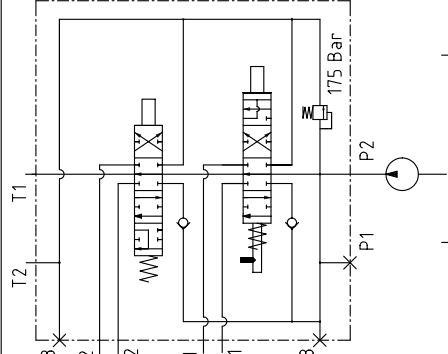


Isometric view



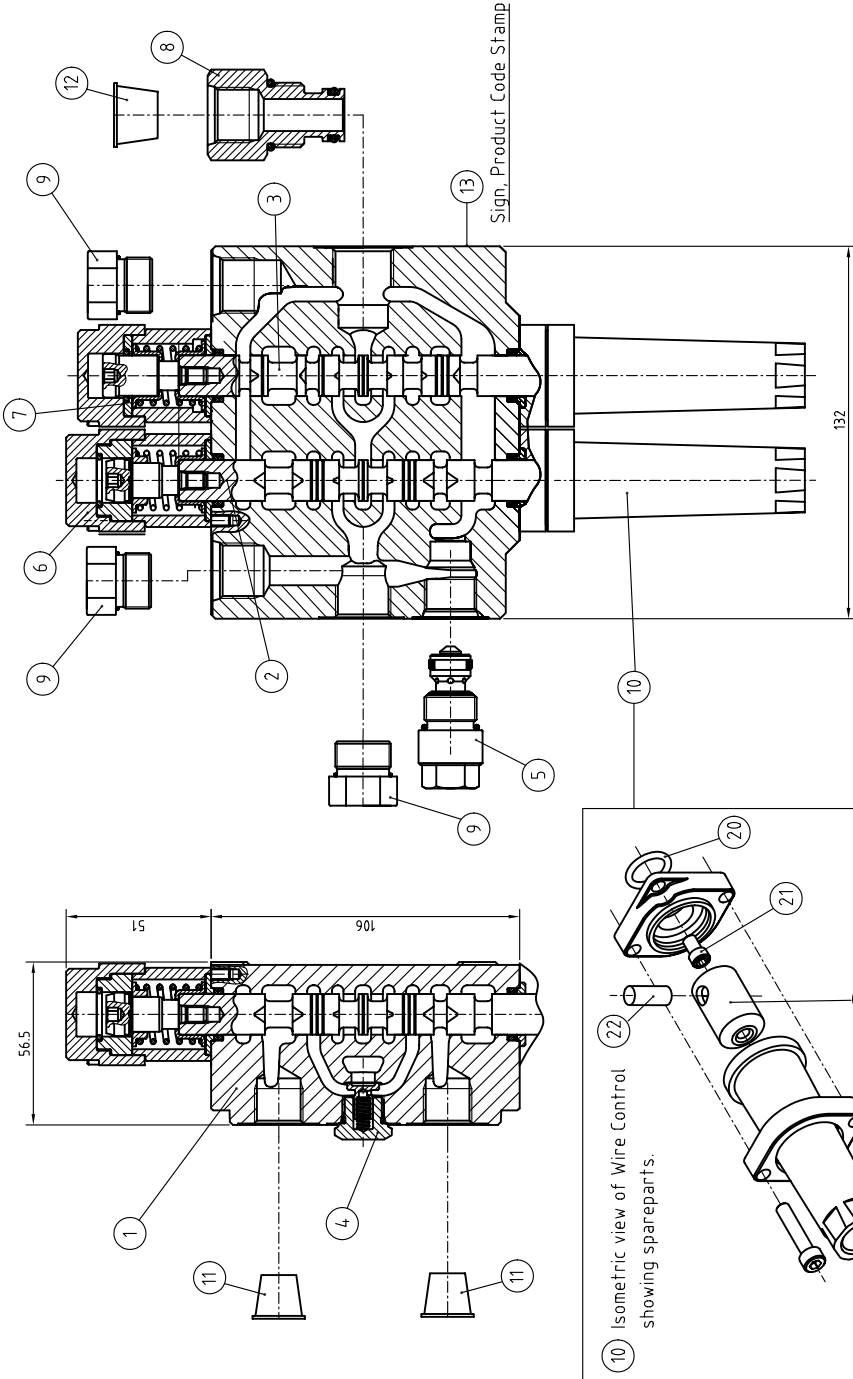
Hydraulic Schematic



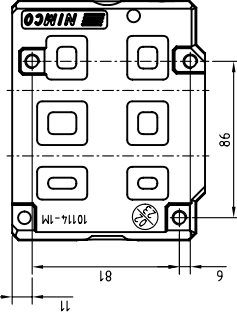
Technical Data

Max. pressure	bar	psi
Main relief valve	320	4641
Tank line	10	145
Flow rates	lpm	USGpm
Max flow A/B	50	13

Spool leakage at 100 bar (1450psi) and 46 mm<sup>2</sup>/s(cSt) viscosity  
 A and B port 2 cm<sup>3</sup>/min 0.12 inch<sup>3</sup>/min

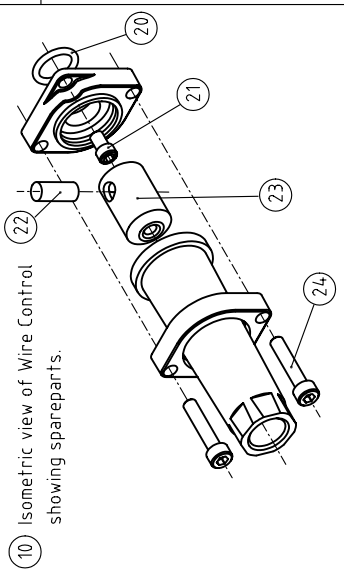


Mounting holes M8x1.25 (3x), Scale 1:2  
 Bottom side



Spare Parts List

Pos	NIMCO Part. Nr.	TYM Part. Nr.	Description	No
20.	10013324-PU		O-ring 13.3x2.4, Polyurethane	1
21.	20005008		M6CS M5x8 (M6CS M4 head)	1
22.	10520-4B		Pin for spool control WB	1
23.	10518-4B		Connector spool control WB	1
24.	20005025		M6CS 50x25 Fzb	2
25.	-	-	-	-



10 Isometric view of Wire Control showing spareparts.

Parts List

Pos	NIMCO Part. Nr.	TYM Part. Nr.	Description	No.
1.	10982-1B		Valve housing - machined, blind fix. holes	1
2.	10308-3B		Spool DA+Float with marking 3S	1
3.	10359-3B		Spool DA + Regen with marking 8R/1	1
4.	10261-4S		Load Holding check valve - assembly	2
5.	10900-4K-175		Main relief valve - assembly	1
6.	10281-4S		Spool control 11 - Float and Detent	1
7.	10273-4S		Spool control 18 Regen	1
8.	10536-4S		HPCO Connector SAE 10/8	1
9.	612008-M		Plug SAE 8 - complete with sealing, P1,P3 & T3	3
10.	10515-4S		Spool Control WB, Cable	2
11.	650096-G		Plastic Plug SAE 6 for A, B	4
12.	630071-G		Plastic Plug SAE 8 for P2, T2 & HPCO	3
13.	10344-4K		Sign., Product Code Stamp	1

Model

Revisions  
 A Oil viscosity 46 cSt. was 25 cSt

Specifications  
 Tolerances ISO 2768-1,-2  
 Burrs removed

Material  
 BL  
 Surf. treatm.

Drawn by  
 BL

Checked  
 050530

Date  
 051207

Appr. by  
 LK

Sign  
 Scale  
 -

Title  
 Assembly - TYM  
 2 - Sectional - Open Center - CV112  
 with Float + Detent and Regen Functions

Drawn no.  
 11087-25