

## Hydraulic Lift O-Matic Cable Improvement

KA ID : KA000005114

### Symptom

The hydraulic lift arms are not going down, or they are moving slowly.

### Cause

Loosening nut on the Lift-O-Matic cable (part number: 47815352).

### Resolution

Lock washers have been added to the cable.

New cable part number: 51678709. The new cable is retrofittable for the field.

See the production cut off serial numbers below:

#### EUROPE:

NH: ELRT4S75ALAX00832

CIH: ELRFA75AELAY00484

#### NAFTA :

NH: ELRT4S75JLAX00857

CIH: ELRFA55ACLAY00515

To adjust the **Lift-O-Matic™** lift speed, loosen the spiral nut **(1)** , pull the spiral **(2)** forward and torque the nut with 10 **Nm**.

### Group component

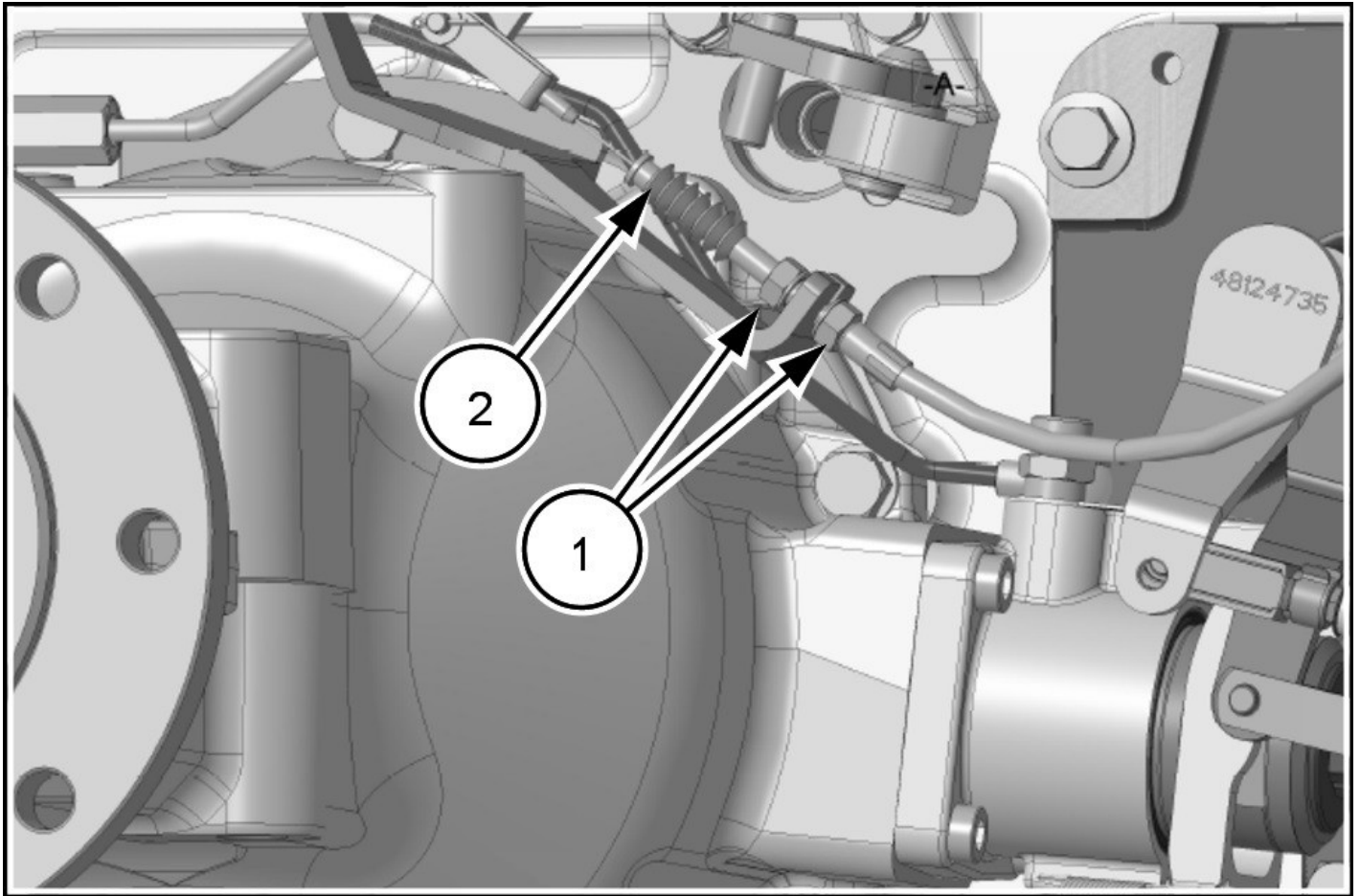
**35.000.AA** Hydraulic systems  
- Hydraulic systems - Hydraulic systems

### Publication date

Mar 16, 2021

### Region of plant manufacturing

APAC



### Warranty

Standard warranty terms and condition apply.

This article is provided for information purposes only.

This article does not give any authorisation to carry out warranty works. Authorisation must be obtained in the usual way.

Was this information helpful? ★★★★★