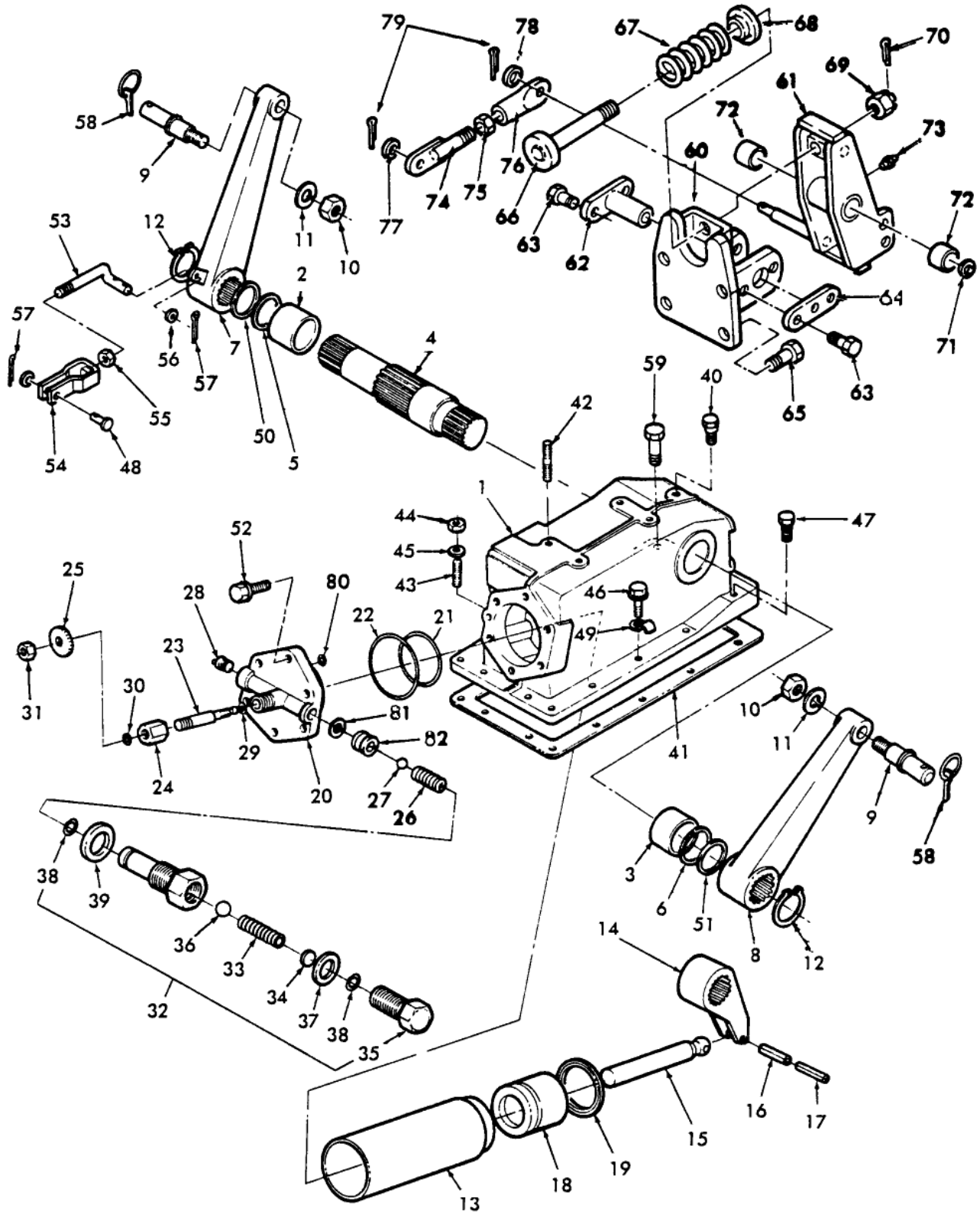


1700 2 CYL COMPACT TRACTOR (1/79-12/82)  
05A03 LIFT COVER & ARMS, 1700 & 1900



**1700 2 CYL COMPACT TRACTOR (1/79-12/82)  
05A03 LIFT COVER & ARMS, 1700 & 1900**

| Key | Qty | Part Number  | Part Name        | Description                                                                                                                            |
|-----|-----|--------------|------------------|----------------------------------------------------------------------------------------------------------------------------------------|
| 1   | 1   | SBA344080100 | Sump             | Case Assy., L/draft Control Includes: Ref. 2 & 3, Years: 01/01/1979-02/28/1980                                                         |
| 1   | 1   | SBA344080160 | Case             | Case Assy., W/ Or L/draft Control Includes: Ref. 2 & 3, Start Year: 03/01/1980                                                         |
| 2   | 1   | SBA398510090 | Bushing          | Bushing, M45 X 30, Start Year: 01/01/1979                                                                                              |
| 3   | 1   | SBA398510140 | Bushing          | Bushing, M50 X 30, Start Year: 01/01/1979                                                                                              |
| 4   | 1   | SBA344830150 | Shaft            | Shaft, Start Year: 01/01/1979                                                                                                          |
| 5   | 1   | SBA052300450 | O-ring           | O-ring, Start Year: 01/01/1979                                                                                                         |
| 6   | 1   | SBA052300500 | O-ring           | O-ring, Start Year: 01/01/1979                                                                                                         |
| 7   | 1   | SBA344100180 | Arm              | Arm, R.h., Start Year: 01/01/1979                                                                                                      |
| 8   | 1   | SBA344110190 | Arm              | Arm, L.h., Start Year: 01/01/1979                                                                                                      |
| 9   | 2   | SBA344140061 | Pin              | Pin, Start Year: 01/01/1979                                                                                                            |
| 10  | 2   | 100085       | Nut              | Nut, Cl 8, M20 X 1.5, Start Year: 01/01/1979                                                                                           |
| 11  | 2   | 9847025      | Washer, Lock     | Washer, Lock, M20, Start Year: 01/01/1979                                                                                              |
| 12  | 2   | 370007       | Ring, Snap       | Ring, Snap, Ext, M45, Start Year: 01/01/1979                                                                                           |
| 13  | 1   | SBA344790100 | Liner            | Liner, Start Year: 01/01/1979                                                                                                          |
| 14  | 1   | SBA344810110 | Arm              | Arm, Start Year: 01/01/1979                                                                                                            |
| 15  | 1   | SBA344770100 | Rod              | Rod, Start Year: 01/01/1979                                                                                                            |
| 16  | 1   | 86977791     | Pin, Lock        | Pin, Roll, M8 X 45, Start Year: 01/01/1979                                                                                             |
| 17  | 1   | SBA030300545 | Pin              | Pin, M8 X 45, Start Year: 01/01/1979                                                                                                   |
| 18  | 1   | SBA344760080 | Piston           | Piston, Start Year: 01/01/1979                                                                                                         |
| 19  | 1   | SBA050309012 | Seal             | Seal, Start Year: 01/01/1979                                                                                                           |
| 20  | 1   | SBA344710121 | Cylinder Head    | Head, Replaced By Ref. 20, 26, 27, 32, 81 & 82 (81/), No Longer Serviced, Years: 01/01/1979-12/31/1980                                 |
| 20  | 1   | SBA344710122 | Cylinder Head    | Head, Start Year: 01/01/1981                                                                                                           |
| 21  | 1   | SBA052310700 | O-ring           | O-ring, Start Year: 01/01/1979                                                                                                         |
| 22  | 1   | SBA052300900 | O-ring           | O-ring, Start Year: 01/01/1979                                                                                                         |
| 23  | 1   | SBA340170180 | Valve, Hydraulic | Valve, Start Year: 01/01/1979                                                                                                          |
| 24  | 1   | SBA340190040 | Guide            | Guide, Start Year: 01/01/1979                                                                                                          |
| 25  | 1   | SBA398180331 | Handle Grip      | Grip, Years: 01/01/1979-06/30/1988                                                                                                     |
| 25  | 1   | SBA398180332 | Handle Grip      | Grip, Start Year: 07/01/1988                                                                                                           |
| 26  | 1   | SBA398210990 | Spring           | Spring, Years: 01/01/1979-12/31/1980                                                                                                   |
| 26  | 1   | SBA398211860 | Spring           | Spring, Start Year: 01/01/1981                                                                                                         |
| 27  | 1   | SBA048100015 | Spindle          | Ball, 15/32", Years: 01/01/1979-12/31/1980                                                                                             |
| 27  | 1   | 86624944     | Ball             | Ball, 11/32" Dia, Steel, Start Year: 01/01/1981                                                                                        |
| 28  | 1   | SBA064500030 | Plug             | Plug, 3/8", Start Year: 01/01/1979                                                                                                     |
| 29  | 1   | SBA052100070 | O-ring           | O-ring, Start Year: 01/01/1979                                                                                                         |
| 30  | 1   | SBA052100120 | O-ring           | O-ring, Start Year: 01/01/1979                                                                                                         |
| 31  | 1   | 100016       | Nut              | Nut, M10, Cl 8, Start Year: 01/01/1979                                                                                                 |
| 32  | 1   | SBA340015700 | Valve, Hydraulic | Valve Assy. Includes: Ref. 33 Thur 39, Replaced By SBA340016560, No Longer Serviced Components Still Available, Start Year: 01/01/1979 |
| 32  | 1   | SBA340016560 | Valve, Hydraulic | Valve Assy., Includes: Ref. 38 & 39, Start Year: 01/01/1979                                                                            |
| 33  | 1   | SBA398210980 | Spring           | Spring, Used With Ref. 32 SBA340015700, Start Year: 01/01/1979                                                                         |
| 34  | 1   | SBA399280810 | Shim             | Shim, 1.0mm Thk, Kit, Used With Ref. 32 SBA340015700, Start Year: 01/01/1979                                                           |
| 35  | 1   | SBA399431040 | Bolt             | Bolt, M10 X 40, Used With Ref. 32 SBA340015700, Start Year: 01/01/1979                                                                 |

|     |     |              |                  |                                                                                        |
|-----|-----|--------------|------------------|----------------------------------------------------------------------------------------|
| 36  | 1   | SBA048100008 | Ball             | Ball, 6.35mm, Used With Ref. 32 SBA340015700, Start Year: 01/01/1979                   |
| 37  | 1   | SBA025100012 | Washer           | Washer, M12, Used With Ref. 32 SBA340015700, Start Year: 01/01/1979                    |
| 38  | 1/2 | SBA052109076 | O-ring           | O-ring, P11, (1) Used W/SBA340015700 & (2) Used W/SBA340016560, Start Year: 01/01/1979 |
| 39  | 1   | SBA398112140 | Seal             | Seal, Start Year: 01/01/1979                                                           |
| 40  | 1   | SBA340710030 | Breather         | Breather, No Breather On 1500 Tractor See #23, Fig. 05A02, Start Year: 01/01/1979      |
| 41  | 1   | SBA344990101 | Gasket           | Gasket, Start Year: 01/01/1979                                                         |
| 42  | 1   | SBA012111016 | Stud             | Bolt, Stud, Start Year: 01/01/1979                                                     |
| 43  | 3   | SBA012111030 | Stud             | Bolt, Stud, M10, L/draft Control, Years: 01/01/1979-02/28/1980                         |
| 43  | 3   | SBA012111025 | Bolt             | Bolt, Stud, M10 X 25, W/ Or L/draft Control, Start Year: 03/01/1980                    |
| 44  | 3   | SBA021010010 | Nut              | Nut, M10 X 1.25, Start Year: 01/01/1979                                                |
| 45  | 3   | 140028       | Washer, Lock     | Washer, Lock, M10, Start Year: 01/01/1979                                              |
| 46  | 7   | SBA011511030 | Bolt             | Bolt, M10 X 30, Start Year: 01/01/1979                                                 |
| 47  | AR  | SBA011511045 | Bolt             | Bolt, M10 X 45, Start Year: 01/01/1979                                                 |
| 47  | 4   | SBA011511045 | Bolt             | Bolt, M10 X 45, Years: 01/01/1979-05/31/1979                                           |
| 47  | 3   | SBA011511045 | Bolt             | Bolt, M10 X 45, Start Year: 06/01/1979                                                 |
| 47A | 1   | SBA011511035 | Bolt             | Bolt, M10 X 35, Start Year: 06/01/1979                                                 |
| 48  | 1   | SBA031310820 | Pin              | Pin, Start Year: 01/01/1979                                                            |
| 49  | 2   | SBA399111970 | Clamp            | Clamp, Start Year: 01/01/1979                                                          |
| 50  | 1   | SBA398210670 | Spring           | Spring, Start Year: 01/01/1979                                                         |
| 51  | 1   | SBA398210830 | Spring           | Spring, Start Year: 01/01/1979                                                         |
| 52  | 6   | SBA011511240 | Bolt             | Bolt, M12 X 40, Start Year: 01/01/1979                                                 |
| 53  | 1   | SBA344210101 | Rod              | Rod, Start Year: 03/01/1980                                                            |
| 53  | 1   | SBA344210280 | Rod              | Rod, Start Year: 06/01/1979                                                            |
| 54  | 1   | SBA358550030 | Joint, Universal | Joint, Start Year: 01/01/1979                                                          |
| 55  | 1   | SBA020300008 | Nut              | Nut, M8, Start Year: 01/01/1979                                                        |
| 56  | 3   | 86511315     | Washer           | Washer, M8 X 16 X 1.6, Start Year: 01/01/1979                                          |
| 57  | 3   | PL           | Procure Locally  | Pin, Cotter, M2 X 20, Start Year: 01/01/1979                                           |
| 58  | 2   | 2N609        | Pin, Linch       | Pin, Retaining, Start Year: 01/01/1979                                                 |
| 59  | 1   | SBA011511035 | Bolt             | Bolt, M10 X 35, W/draft Control, Start Year: 03/01/1980                                |
| 60  | 1   | SBA370300070 | Bracket          | Bracket, Start Year: 01/01/1979                                                        |
| 61  | 1   | SBA344400040 | Arm              | Arm, Start Year: 01/01/1979                                                            |
| 62  | 1   | SBA370900150 | Pin              | Pin, Start Year: 01/01/1979                                                            |
| 63  | 5   | SBA011511020 | Bolt             | Bolt, M10 X 20, Start Year: 01/01/1979                                                 |
| 64  | 1   | SBA399560420 | Plate            | Plate, Start Year: 01/01/1979                                                          |
| 65  | 4   | SBA011511235 | Bolt             | Bolt, M12 X 35, Start Year: 01/01/1979                                                 |
| 66  | 1   | SBA370900140 | Pin              | Pin, Start Year: 01/01/1979                                                            |
| 67  | 1   | SBA398211500 | Spring           | Spring, Start Year: 01/01/1979                                                         |
| 68  | 1   | SBA344380020 | Guide            | Guide, Start Year: 01/01/1979                                                          |
| 69  | 1   | SBA022200016 | Nut              | Nut, Castle, M16 X 15, Start Year: 01/01/1979                                          |
| 70  | 1   | PL           | Procure Locally  | Pin, Cotter, 4 X 30, Start Year: 01/01/1979                                            |
| 71  | 1   | SBA199280370 | Shim             | Shim, 0.5mm Thk, Start Year: 01/01/1979                                                |
| 72  | 2   | SBA398510080 | Bushing, Drive   | Bushing, 30 X 25, Start Year: 01/01/1979                                               |
| 73  | 1   | SBA060610000 | Nipple, Lube     | Fitting, Grease, Start Year: 01/01/1979                                                |
| 74  | 1   | SBA344200220 | Rod              | Rod, Start Year: 01/01/1979                                                            |

|    |   |              |                 |                                               |
|----|---|--------------|-----------------|-----------------------------------------------|
| 75 | 1 | 100016       | Nut             | Nut, M10, Cl 8, Start Year: 01/01/1979        |
| 76 | 1 | SBA344210550 | Rod             | Rod, Start Year: 01/01/1979                   |
| 77 | 4 | 86511315     | Washer          | Washer, M8 X 16 X 1.6, Start Year: 01/01/1979 |
| 78 | 1 | 86511323     | Washer          | Washer, M10, Start Year: 01/01/1979           |
| 79 | 1 | PL           | Procure Locally | Pin, Cotter, 2 X 20, Start Year: 01/01/1979   |
| 80 | 1 | SBA052100120 | O-ring          | O-ring, P12, Start Year: 01/01/1979           |
| 81 | 1 | SBA340990150 | Gasket          | Seal, Start Year: 01/01/1981                  |
| 82 | 1 | SBA340190130 | Guide           | Bushing, Start Year: 01/01/1981               |