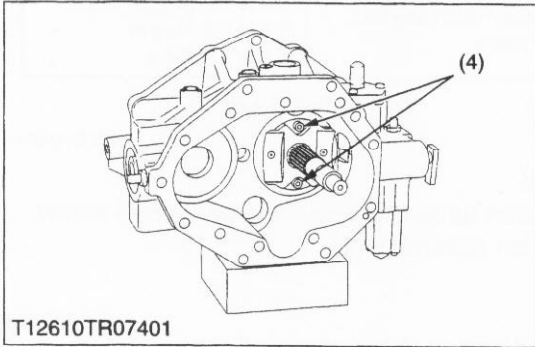


**Swashplate and Pump Shaft**

1. Remove the swashplate (2).
2. Remove the cradle bearing bracket mounting hex. head screws (4).
3. Tap the pump shaft (6) with a plastic hammer slightly to slide out it with cradle bearing bracket (5) to the rear side.

**(When reassembling)**

- Place the swashplate (2) into the housing, align the slot guide (3) of swashplate and groove (1) of servo piston.
- Apply clean hydrostatic transmission oil to the surface of swashplate and cradle bearing.



Tightening torque	Cradle bearing bracket mounting hex. head screw	28 to 35 N·m 2.9 to 3.6 kgf·m 21 to 26 ft-lbs
-------------------	---	---

- |   |   |
|---|---|
| <p>(1) Groove<br/>(2) Swashplate<br/>(3) Slot Guide</p> | <p>(4) Bracket Mounting Hex. Head Screw<br/>(5) Cradle Bearing Bracket<br/>(6) Pump Shaft</p> |
|---|---|

W1018971

