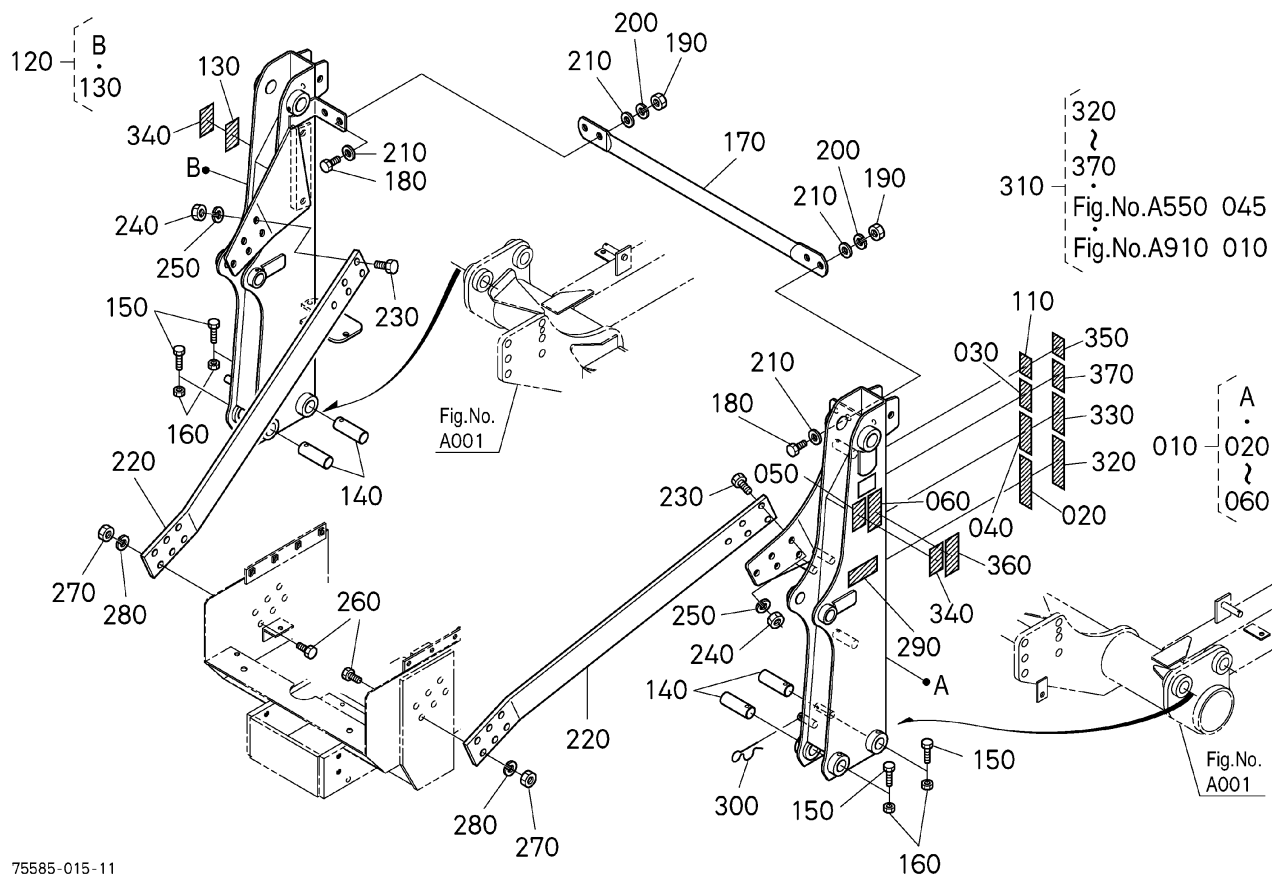


TL1150 -> FRAME -> A01000 SIDE FRAME ## TL1150

Update Date: 12/05/2003, Printing Date: 09/14/2018



75585-015-11

TL1150 -> FRAME -> A01000 SIDE FRAME ## TL1150

Update Date: 12/05/2003, Printing Date: 09/14/2018

Interchangeable =, Not Interchangeable NI, New for Old >>, Old for New <<

No	Part Number	Part Name	Qty	RoundUp	IC	S/N	Remarks	Kg
010	75585-90130	FRAME,SIDE LH(LABEL)	1					0.0
020	75546-56410	LABEL DANGER 1	1			<=11791	ENGLISH	0.0022
020	7J246-56410	LABEL,DANGER 1	1		>>	>=11792	ENGLISH	0.0044
030	75567-56420	LABEL,DANGER 2	1			<=11791	ENGLISH	0.0022
030	7J246-56420	LABEL,DANGER 2	1		>>	>=11792	ENGLISH	0.0022
040	75546-56430	LABEL DANGER 3	1			<=11791	ENGLISH	0.0022
040	7J246-56430	LABEL,DANGER 3	1		>>	>=11792	ENGLISH	0.0044
050	75546-56440	LABEL WARNING	1			<=11791	ENGLISH	0.0044
050	7J246-56440	LABEL,WARNING	1		>>	>=11792	ENGLISH	0.0
050	7J246-56442	LABEL,WARNING 1	1		>>	>=11945	ENGLISH	0.022
060	75546-56450	LABEL CAUTION 1	1			<=11791	ENGLISH	0.0022

TL1150 -> FRAME -> A01000 SIDE FRAME ## TL1150

Update Date: 12/05/2003, Printing Date: 09/14/2018

Interchangeable =, Not Interchangeable NI, New for Old >>, Old for New <<

No	Part Number	Part Name	Qty	RoundUp	IC	S/N	Remarks	Kg
060	7J246-56450	LABEL,CAUTION 1	1		>>	>=11792	ENGLISH	0.0044
110	75580-56370	LABEL,LUBRICATE	1				ENGLISH	0.0022
120	75585-90140	FRAME,SIDE RH(LABEL)	1					0.0
130	75546-56440	LABEL WARNING	1			<=11791	ENGLISH	0.0044
130	7J246-56440	LABEL,WARNING	1		>>	>=11792	ENGLISH	0.0
130	7J246-56442	LABEL,WARNING 1	1		>>	>=11945	ENGLISH	0.022
140	75585-56050	PIN,MAIN FRAME	4					1.804
150	75599-04360	HEX.BOLT	4				(3/8-24UNF*3)	0.11
160	75599-31923	NUT,LOCKING(3/8-24UNF)	4				(3/8-24UNF)	0.0154
170	75585-56710	CONNECTOR	1					0.0
180	75599-04630	HEX. BOLT	4				(9/16-18UNF*1-1/2)	0.1474
190	75599-31066	HEX.NUT(9/16-18UNF)	4				(9/16-18UNF)	0.066
200	75599-33016	WASHER SPRING LOCK (4				(9/16)	0.176
200	0Y450-50090	WASHER,SPRING	4		>>			0.0154
210	75599-32516	WASHER,PLAIN(9/16HD)	8				(9/16HD)	0.0242
220	75585-57410	BRACE	2					23.1
230	75599-04735	HEX.BOLT (5/8-18UNF*	10				(5/8-18UNF*1-3/4)	0.198
240	75599-31067	HEX.NUT (5/8-18UNF)	10				(5/8-18UNF)	0.0704
250	75599-33017	WASHER,SPRING LOCK(5/8)	10				(5/8)	0.011
260	75599-04640	HEX.BOLT(9/16-18UNF*	10				(9/16-18UNF*2)	0.176
270	75599-31066	HEX.NUT(9/16-18UNF)	10				(9/16-18UNF)	0.066
280	75599-33016	WASHER SPRING LOCK (10				(9/16)	0.176
280	0Y450-50090	WASHER,SPRING	10		>>			0.0154
290	75585-58460	LABEL TL1150	2					0.011
300	75599-56006	HAIRPIN COTTER	2					0.022
310	75585-95500	KIT FRENCH TL1150	1			<=12399	FRENCH	0.0
310	75585-95502	KIT FRENCH TL1150	1		>>	>=12340	FRENCH	0.0
320	75546-99610	LABEL DANGER 1(F)	1			<=12339	FRENCH	0.0
320	75546-99613	LABEL,DANGER 1 (F)	1		>>	>=12340	FRENCH	0.0022
330	75546-99630	LABEL DANGER 3(F)	1			<=12339	FRENCH	0.022
330	75546-99632	LABEL,DANGER 3 (F)	1		>>	>=12340	FRENCH	0.022
340	75546-99640	LABEL WARNING 1(F)	2			<=12399	FRENCH	0.0022
340	75546-99642	LABEL,WARNING 1(F)	2		>>	>=12340	FRENCH	0.0022
350	75580-95550	LABEL,LUBRICATE FRENCH	1				FRENCH	0.0022

TL1150 -> FRAME -> A01000 SIDE FRAME ## TL1150

Update Date: 12/05/2003, Printing Date: 09/14/2018

Interchangeable =, Not Interchangeable NI, New for Old >>, Old for New <<

No	Part Number	Part Name	Qty	RoundUp	IC	S/N	Remarks	Kg
360	75546-99650	LABEL CAUTION 1(F)	1			<=12399	FRENCH	0.0
360	75546-99654	LABEL,CAUTION (F)	1		>>	>=12340	FRENCH	0.0066
370	75567-99620	LABEL,DANGER 2(F)	1			<=12399	FRENCH	0.0
370	75567-99622	LABEL,DANGER 2 (F)	1		>>	>=12340	FRENCH	0.0066