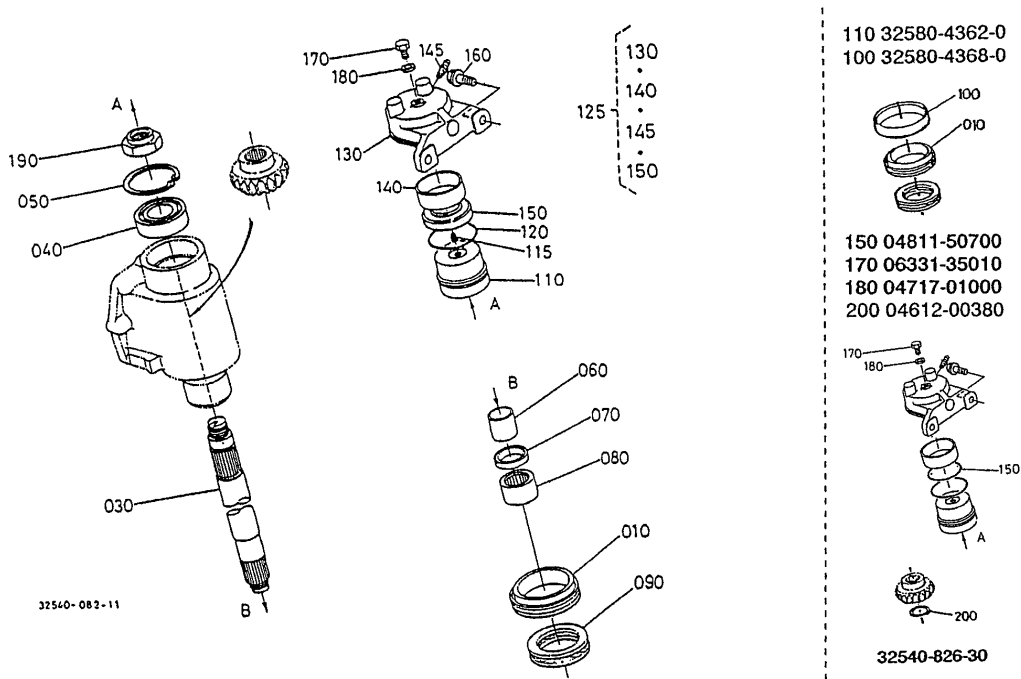


L4150DT -> FRONT AXLE DRIVE -> T10300 BEVEL GEAR SHAFT ## L4150DT

Update Date: 09/10/2017, Printing Date: 06/29/2018



L4150DT -> FRONT AXLE DRIVE -> T10300 BEVEL GEAR SHAFT ## L4150DT

Update Date: 09/10/2017, Printing Date: 06/29/2018

Interchangeable =, Not Interchangeable NI, New for Old >>, Old for New <<

No	Part Number	Part Name	Qty	RoundUp	IC	S/N	Remarks	Kg
010	32580-43620	SEAL OIL	2			<=60897		0.198
010	32590-43620	SEAL OIL	2		>>	>=60898		0.55
030	32580-43630	SHAFT BEVEL GEAR	2			<=60686		5.236
030	32580-43634	SHAFT BEVEL GEAR	2		>>	>=60687		5.28
040	32580-43640	BEARING BALL	2					1.1
050	04611-00800	CIR-CLIP,INTERNAL	2					0.044
060	32580-43650	RING INNER	2					0.176
070	32580-43660	SEAL OIL	2					0.011
080	32580-43670	BEARING NEEDLE	2			<=59999		0.0
080	32580-43672	BEARING NEEDLE	2		>>	>=60001		0.121

L4150DT -> FRONT AXLE DRIVE -> T10300 BEVEL GEAR SHAFT ##
L4150DT

Update Date: 09/10/2017, Printing Date: 06/29/2018

Interchangeable =, Not Interchangeable NI, New for Old >>, Old for New <<

No	Part Number	Part Name	Qty	RoundUp	IC	S/N	Remarks	Kg
090	08401-51113	BEARING THRUST BALL	2					0.704
100	32580-43680	SLEEVE	2			<=60897		0.33
110	32580-43920	SHAFT SUPPORT	2					2.31
115	68311-13620	PLUG	2			>=60898		0.044
120	04811-10750	O RING	2					0.0022
125	32580-43900	ASSY SUPPORT F-AXLE	2			>=60898		4.444
130	32580-43960	SUPPORT CASE	2			<=60897	NOT SALE ORDER BY REF.No.125	4.4
130	32580-43963	SUPPORT F-AXLE CASE	2		NI	>=60898		5.764
140	32580-43930	BUSH	2			<=60897		0.0
140	32590-43930	BUSH	2		NI	>=60898		0.2376
145	06611-15010	NIPPLE GREASE	2			>=60898		0.022
150	04811-50700	RING	2			<=60897		0.0044
150	32590-43990	SEAL OIL	2		NI	>=60898		0.0352
160	32580-43970	BOLT UBS	4					0.11
170	06331-35010	PLUG	4			<=60897		0.0264
170	06331-35010	PLUG	2			>=60898		0.0264
180	04717-01000	WASHER,SEAL	4			<=60897		0.0022
180	04717-01000	WASHER,SEAL	2			>=60898		0.0022
190	32580-43940	NUT	2					0.176
200	04612-00380	CIR-CLIP,EXTERNAL	2			<=60686		0.011