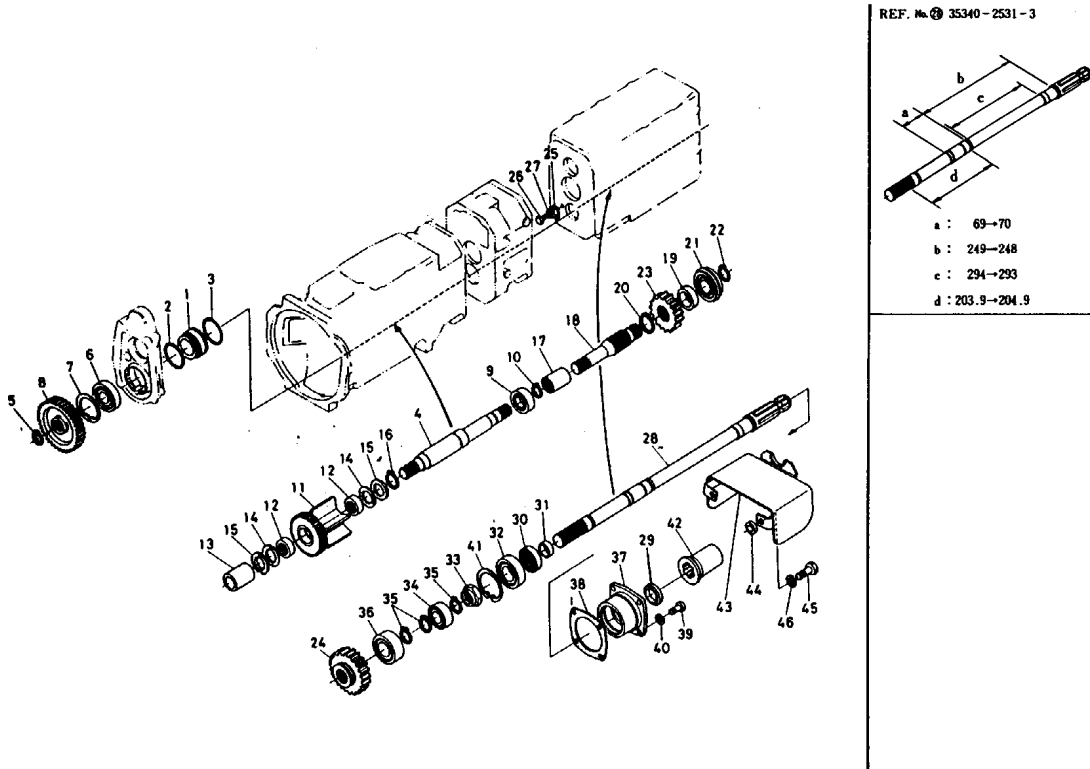


L345DT -> TRANSMISSION -> 350000 TRANSMISSION 3 ## L345DT

Update Date: 06/13/2012, Printing Date: 06/15/2017



L345DT -> TRANSMISSION -> 350000 TRANSMISSION 3 ## L345DT

Update Date: 06/13/2012, Printing Date: 06/15/2017

Interchangeable =, Not Interchangeable NI, New for Old >>, Old for New <<

No	Part Number	Part Name	Qty	RoundUp	IC	S/N	Remarks	Kg
001	35340-21380	SPACER 2	1					0.484
002	04811-50500	O RING	1					0.0022
003	04811-50550	O RING	1					0.0044
004	35340-25330	SHAFT COUNTER (PTO)	1					3.234
005	37150-21550	CIR-CLIP,EXTERNAL	1					0.132
006	08100-00031	BEARING BALL	1					0.5324
007	04611-00620	CIR-CLIP,INTERNAL	1					0.0242
008	35340-25340	GEAR 39	1					1.804
009	08101-06205	BEARING,BALL	1					0.264
010	37150-21550	CIR-CLIP,EXTERNAL	1					0.132
011	35340-21720	GEAR 30	1					2.354

L345DT -> TRANSMISSION -> 350000 TRANSMISSION 3 ## L345DT

Update Date: 06/13/2012, Printing Date: 06/15/2017

Interchangeable =, Not Interchangeable NI, New for Old >>, Old for New <<

No	Part Number	Part Name	Qty	RoundUp	IC	S/N	Remarks	Kg
012	08813-03712	BEARING NEEDLE	2					0.0506
013	35340-21770	COLLAR DISTANCE	1					0.33
014	35340-21560	WASHER	2					0.0176
015	35340-21760	COLLAR,THRUST	2					0.022
016	04612-00300	CIR-CLIP,EXTERNAL	1					0.0066
017	37150-21680	COUPLING	1					0.0
018	35340-25250	SHAFT COUNTER (PTO)	1					1.947
019	35340-25260	COLLAR	1					0.0946
020	04612-00350	CIR-CLIP,EXTERNAL	1					0.022
021	08150-00008	BEARING BALL	1					0.495
022	04612-00300	CIR-CLIP,EXTERNAL	1					0.0066
023	35340-25270	GEAR 16	1					0.803
024	35340-25450	GEAR 22	1					1.7996
025	34150-21940	RETAINER BEARING	2					0.0
026	01153-50820	HEX.BOLT	2					0.0264
027	04512-50080	WASHER,SPRING LOCK	2					0.0044
028	35340-25310	SHAFT PTO	1			<=11027		0.0
028	35340-25313	SHAFT PTO	1			>=11028		7.7
029	37150-25370	SLINGER	1					0.0154
030	35340-25360	SEAL,OIL	1					0.0528
031	35340-25350	COLLAR,OIL SEAL	1					0.066
032	08101-06232	BEARING BALL	1					0.484
033	35340-25320	NUT	1					0.11
034	35340-25380	BEARING ROLLER	1					0.385
035	04612-00300	CIR-CLIP,EXTERNAL	3					0.0066
036	08241-03206	BEARING BALL	1					0.6644
037	35340-25410	CASE BEARING	1					2.299
038	37150-25420	GASKET	1					0.0
039	01153-50822	HEX.BOLT	4					0.0242
040	04512-50080	WASHER,SPRING LOCK	4					0.0044
041	04611-00650	CIR-CLIP,INTERNAL	1					0.0242
042	31220-25820	CAP	1					0.121
043	35110-25330	PROTECTOR SHAFT PTO	1					3.157

L345DT -> TRANSMISSION -> 350000 TRANSMISSION 3 ## L345DT

Update Date: 06/13/2012, Printing Date: 06/15/2017

Interchangeable =, Not Interchangeable NI, New for Old >>, Old for New <<

No	Part Number	Part Name	Qty	RoundUp	IC	S/N	Remarks	Kg
044	35114-25340	COLLAR	2					0.066
045	01173-51235	HEX.BOLT	4					0.088
046	04512-50120	WASHER,SPRING LOCK	4					0.0066