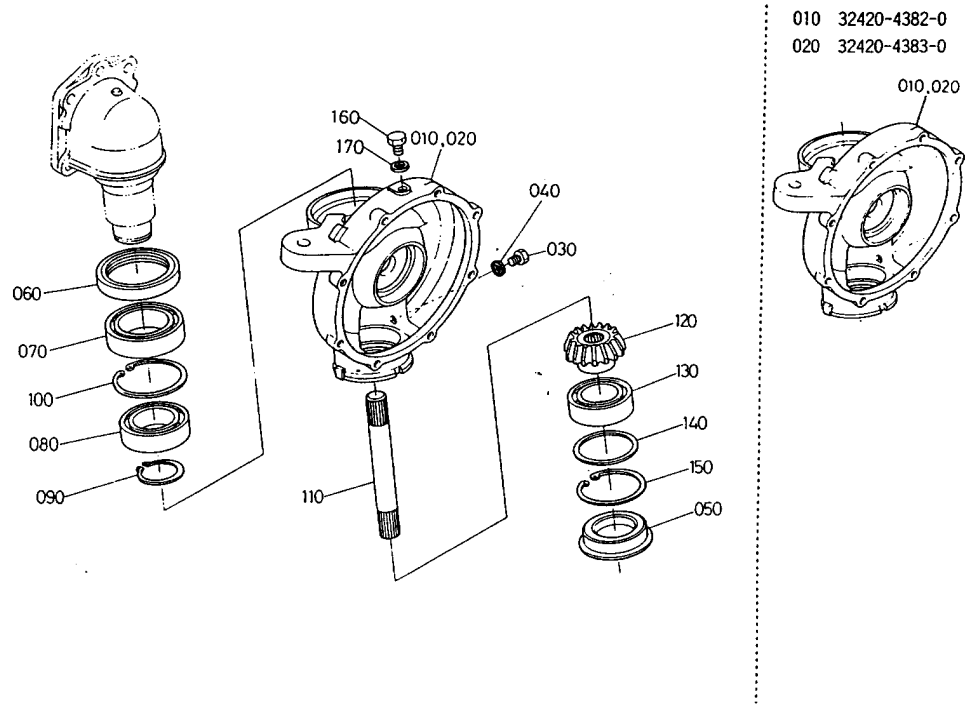


L2250DT -> REAR AXLE AND REAR WHEEL -> T08300 FRONT AXLE CASE ## L2250DT

Update Date: 12/21/2015, Printing Date: 06/07/2016



Interchangeable =, Not Interchangeable NI, New for Old >>, Old for New <<

No	Part Number	Part Name	Qty	IC	S/N	Remarks	lbs
010	32420-43820	CASE AXLE LH	1		<=51702		0.0
010	32420-43824	CASE AXLE LH	1	>>	>=51703		0.0
010	32420-43825	CASE AXLE LH	1	>>	>=55894		0.0
010	32420-43827	CASE AXLE LH	1	>>	>=56721		0.0
020	32420-43830	CASE AXLE RH	1		<=51702		0.0
020	32420-43834	CASE AXLE RH	1	>>	>=51703		0.0
020	32420-43835	CASE AXLE RH	1	>>	>=55894		0.0
020	32420-43837	CASE AXLE RH	1	>>	>=56721		0.0
030	06331-35012	PLUG	2				0.0528
040	04717-01200	WASHER,SEAL	2				0.0044
050	31353-43850	PLUG	2				0.165
060	31353-43870	SEAL OIL	2		<=54178	NOT SALE	0.0
060	31353-43874	SEAL OIL	2	>>	>=54179	NOT SALE	0.0
060	32330-99600	ASSY OIL SEAL	2	>>			0.2992
070	08101-06012	BEARING,BALL	2				0.902
080	08101-06010	BEARING,BALL	2				0.5764
090	04612-00500	CIR-CLIP,EXTERNAL	2				0.0176
100	04611-00800	CIR-CLIP,INTERNAL	2				0.044
110	32430-43910	SHAFT BEVEL GEAR	2				1.716
120	31333-43930	GEAR BEVEL	2			12T	1.496
130	08101-06009	BEARING,BALL	2				0.484
140	31353-43460	SHIM	2			0.8MM	0.022
140	31353-43480	SHIM	2			1.2MM	0.033

No	Part Number	Part Name	Qty	IC	S/N	Remarks	lbs
140	31353-44030	SHIM	2			1.6MM	0.044
140	31353-44040	SHIM	2			1.8MM	0.044
140	31353-44050	SHIM	2			2.0MM	0.044
140	31353-44060	SHIM	2			2.3MM	0.055
140	31353-44070	SHIM	2			2.6MM	0.088
150	04611-00750	CIR-CLIP,INTERNAL	2				0.0418
160	06331-35010	PLUG	2		>=51703		0.0264
170	04717-01000	WASHER,SEAL	2		>=51703		0.0022