



John Deere - Parts Catalog
Printer Friendly Page

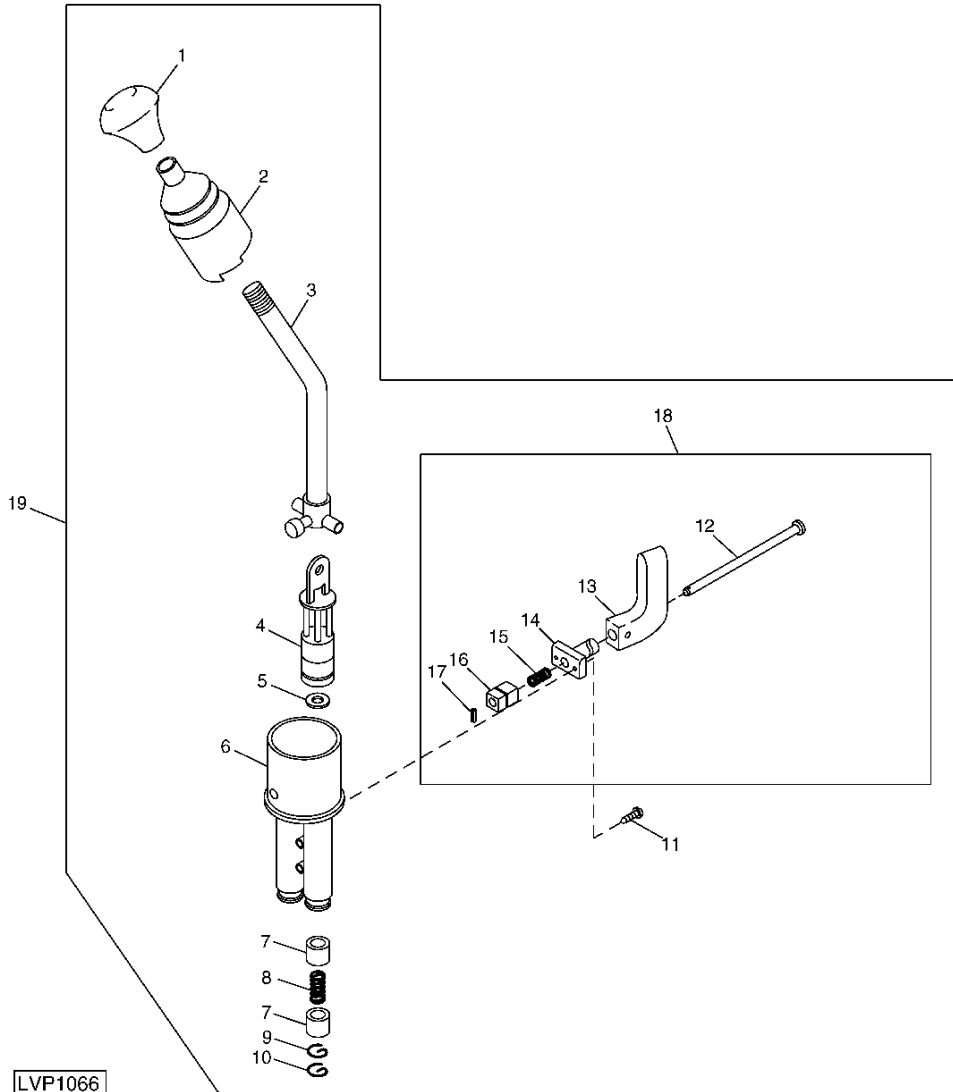
[Close Window](#)

Catalog: **2615** | Grid: **0** | Section: **71** | Page: **431**

Catalog Name: **5210, 5310, 5410 and 5510 Tractors**

Page Name: **DUAL SCV JOYSTICK (ORIGINAL EQUIPMENT)**

Direction of Travel:



LVP1066

PART key NO.	PART NAME	SERIAL QTY NO.	ALL REMARKS
1	R109395 Knob	1	X
2	R114389 Boot	1	X
3	RE55054 Control Lever	1 -XXXXXX	X (USE WITH RE66446)
	RE188270 Control Lever	1 XXXXXX-	X (USE WITH RE187108)
4	RE55057 Shifter	2	X (SUB RE188271)
	RE188271 Piston	2	X
5	R119853 Washer	2	X

6	RE55055	Housing	1	X
7	R119852	Bushing	4	X
8	R119854	Spring	2	X

key	PART NO.	PART NAME	QTY	SERIAL NO.	ALL	REMARKS
9	R119856	Snap Ring	2		X	
10	R119855	Snap Ring	2		X	
11	37M7173	Screw	2		X	M8 X 1"
12	R120781	Pin	1		X	
13	RE66453	Handle	1		X	NSEP (ORDER RE66454)
	R120799	Set Screw	2		X	NSEP (ORDER RE66454)
14	R114385	Shaft	1		X	NSEP (ORDER RE66454)
15	R114388	Spring	1		X	NSEP (ORDER RE66454)
16	R120779	Insert	1		X	NLA (ORDER RE66454)
17	34H225	Spring Pin	1		X	3/32" X 3/8"

key	PART NO.	PART NAME	QTY	SERIAL NO.	ALL	REMARKS
18	RE66454	Switch Kit	1		X	
19	RE187108	Basic Control Unit	1		X	(USE WITH R131147 AND R109238) (SUB FOR RE66446 OR RE72764) (SUB RE222004) (ALSO ORDER R208766 AND R218827)