



555B LOADER

FEATURES

78 SAE net hp (58 kW)

Single-lever loader control

Power Shift transmission w/torque converter

Dura-Trax™ undercarriage with boron steel deep-heat-treated, strutted, sealed track links; deep-heat-treated sealed rollers; boron-steel through-hardened grousers; sealed front idler and carrier roller

Self-adjusting, oil-cooled steering clutches and brakes

Pedal steering

Roll-over protective structure (ROPS)

ADD VERSATILITY WITH:

Winch

Fairlead and drawbar

Integral log arch

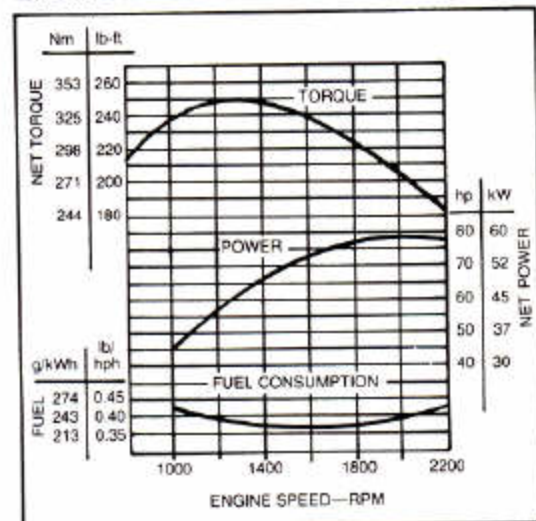
Ripper

Backhoe

Log and lumber fork

Multipurpose bucket

ENGINE PERFORMANCE



LOADER SPECIFICATIONS

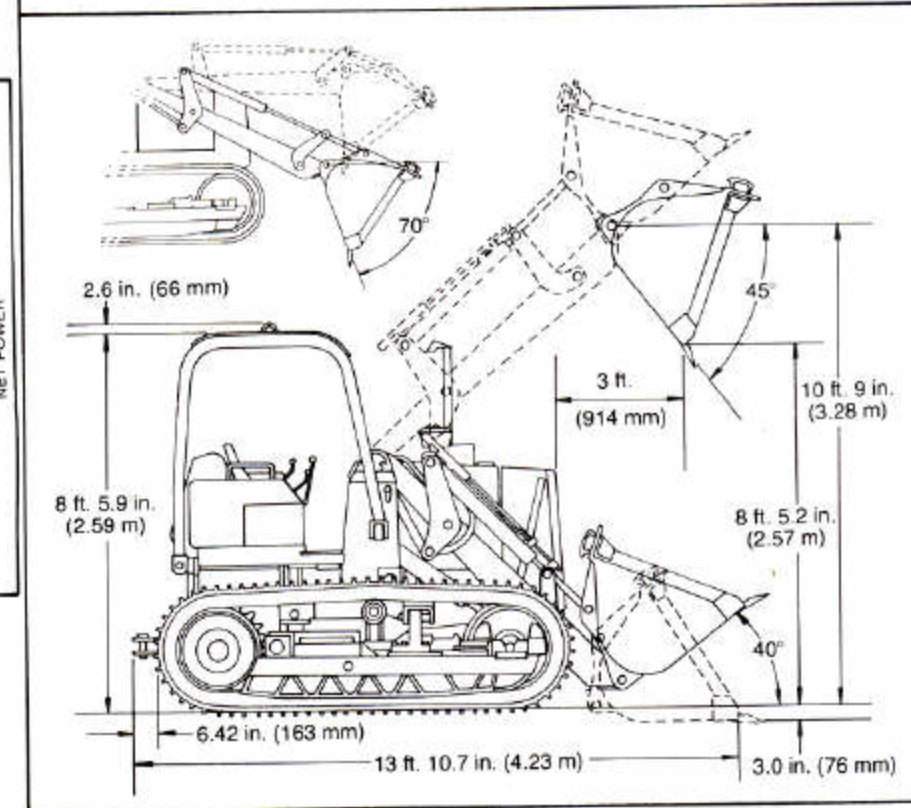
	SAE Heaped Capacity	Width
Buckets:		
Digging	1 $\frac{3}{4}$ cu. yd. (1.05 m ³)	72.25 in. (1.84 m)
Multipurpose	1 $\frac{1}{4}$ cu. yd. (0.96 m ³)	73 in. (1.85 m)

Operating Information:

Breakout force	15,600 lb. (69.4 kN)	(7076 kg)
SAE tipping load	11,970 lb. (5430 kg)	
Maximum dumping angle	50 deg.	
Raising time	7.0 sec.	
Dumping time	1.6 sec.	
Lowering time	4.0 sec.	



Model shown may include options



TED B. MILLER CO. INC.

Hwy 92 East

P.O. Box 460

Gering, Nebr. 69341

555B LOADER SPECIFICATIONS

(Specifications and design subject to change without notice. Wherever applicable, specifications are in accordance with SAE Standards. Except where otherwise noted, these specifications are based on a unit with 136 cu. yd. (1.05 m³) digging bucket w/teeth, roll-over protective structure, full fuel tank, 175-lb. (79 kg) operator and standard equipment.)

Rated Power @2200 rpm:	SAE	DIN 6270
Net	78 hp (58.2 kW)	58.2 kW
Gross	86 hp (64.1 kW)	

Net engine power is with standard equipment including air cleaner, exhaust system, alternator, and cooling fan, at standard conditions per SAE J1349 and DIN 6270. Using No. 2-D fuel @35 API gravity. No derating is required up to 10,000 feet (3050 m) altitude. Gross power is without cooling fan.

Engine: John Deere 4-276T

Type	4-stroke cycle, turbocharged diesel
Bore and stroke	4.19 x 5.00 in. (106.4 x 127 mm)
No. of cylinders	4
Displacement	276 cu. in. (4.524 L)
Maximum net torque @1300 rpm	250 lb-ft (339 Nm) (34.6 kg-m)
Torque rise	34 percent
Cooling fan	Blower
Compression ratio	16.8 to 1
Main bearings	5
Lubrication	Pressure system w/full-flow filter and cooler
Air cleaner w/restriction indicator	Dry
Electrical system	12 volt
Battery (12 volt)	Reserve capacity: 180 minutes

Transmission .. Power Shift, Converter-driven, 3-speed forward and reverse.

Range:	Travel Speeds:				
	mph		km/h		
	Fwd.	Rev.	Fwd.	Rev.	Rev.
1	2.0	2.4	3.2	3.9	
2	3.3	3.9	5.3	6.3	
3	5.6	6.8	9.1	10.9	

Steering:
Steering clutches and brakes are controlled by a single pedal for each track. A separate pedal provides braking and lock-down for parking.
Clutches .. Oil-cooled, hydraulically actuated, multiple-disk, 11 in. (279 mm) disks; 16 friction surfaces per clutch.
Brakes .. Self-adjusting, self-energizing, oil-cooled contracting band with bonded lining.

Hydraulic System:
Control .. Triple hydraulic valve with single-lever bucket control and third function control.
Pump .. Gear, 28 gpm (1.76 L/s)
Pressure .. 2500 psi (17 238 kPa) (175.8 kg/cm²)
Oil lines .. Seamless steel tubing; double-wire-braid hose
Filter .. Spin-on micronic

Hydraulic Cylinders:	Bore	Stroke
Boom, (2)	4.25 in. (108 mm)	28.25 in. (718 mm)
Bucket, (2)	3.5 in. (89 mm)	31.1 in. (790 mm)
Cylinder rods	Ground, heat-treated, chrome-plated, polished	
Boom cylinder rods	2.25-in. (57 mm) dia.	
Bucket cylinder rods	1.75-in. (44.5 mm) dia.	

Undercarriage: 5-roller track frame with full-length rock guards. Dura-Trax™ deep-heat-treated components.

Standard Gauge	
Triple semi-grouser, open-center	14 in. (356 mm)
Track shoes, each side	37
Ground contact area	2128 sq. in. (13 729 cm ²)
Ground pressure	8.7 psi (60 kPa) (0.612 kg/cm ²)
Length of track on ground	76 in. (1930 mm)
Track gauge	52 in. (1321 mm)
Carrier roller	1
Adjustment	Hydraulic
Clearance at rear crossbar	14.25 in. (362 mm)
Wide Track	
Triple semi-grouser, open-center	21 in. (533 mm)
Track shoes, each side	37
Ground contact area	3192 sq. in. (20 595 cm ²)
Ground pressure	6.0 psi (41.4 kPa) (0.422 kg/cm ²)
Length of track on ground	76 in. (1930 mm)
Track gauge	60 in. (1524 mm)
Carrier roller	1
Adjustment	Hydraulic
Clearance at rear crossbar	14.25 in. (362 mm)

Capacities:	U.S.	Liters
Cooling system	5 gal.	18.9
Fuel tank	36 gal.	136.3
Crankcase, including filter	15 qt.	14.2
Transmission	13.5 gal.	51.1
Final drive (each)	6.25 qt.	5.9
Loader hydraulic reservoir	7 gal.	26.5
Loader hydraulic system	13 gal.	49.2
Steering clutch housing (each side)	28 qt.	26.5

Additional Standard Equipment:
Adjustable seat w/armrests
Boom safety lock bar
Bottom guard counterweight w/fixed drawbar
Bucket level indicator
Decelerator
Electric hourmeter
Enclosed alternator w/solid-state regulator
Front bottom guard
Front hitch
Front idler shields
Horn
Key switch start
Muffler
Perforated engine side shields
Precleaner
Radiator sand shield
Return to dig
Isolated ROPS w/seat belt
Sprocket weights
Vandal protection

SAE Operating Weight w/ROPS	
Standard Gauge	18,470 lb. (8380 kg)
Wide Track	19,050 lb. (8641 kg)

Special Equipment:
Brush screens
Cold-weather starting aid
Lights
Limb risers w/overhead exhaust
Master electrical disconnect switch
Rear counterweight for multipurpose bucket
13-inch (330 mm) rubber shoes
ROPS cab
Two batteries
Winch drive