

## Disconnecting Hydraulic Hoses-Rear of Tractor



**CAUTION:** Prevent possible personal injury. Lock out SCV controls before detaching implements to prevent implement movement.

1. Lower implement to ground before disconnecting hydraulic hoses.

*NOTE: To relieve hydraulic pressure in hoses, move SCV control lever to float position, while engine is running.*

2. Move SCV control lever to float position for a few seconds while engine is running.

3. Lock out SCV controls:

- Lever Operated SCV-Move lever lockouts (A) to the left.
- TouchSet monitor-Push transport lock touch switch (A).

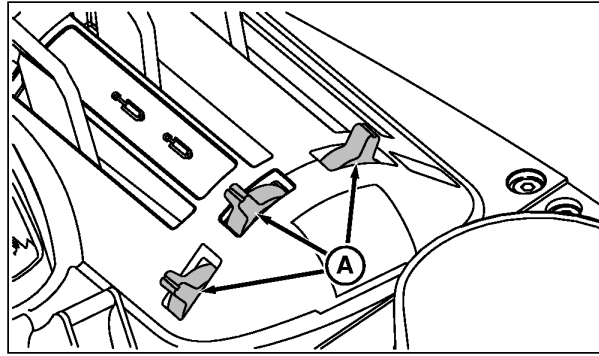
**IMPORTANT:** Forcing or jerking SCV hoses when disconnecting can damage hose ends and SCV couplers. If hoses cannot be removed easily, relieve pressure in hydraulic system by moving SCV lever to float position for a few seconds with engine running and using lever (B) to extract hoses.

4. **Receptacles with High Pressure Relief Levers:** Push lever (B) down slightly to relieve any pressure build-up of trapped oil before removing hoses.

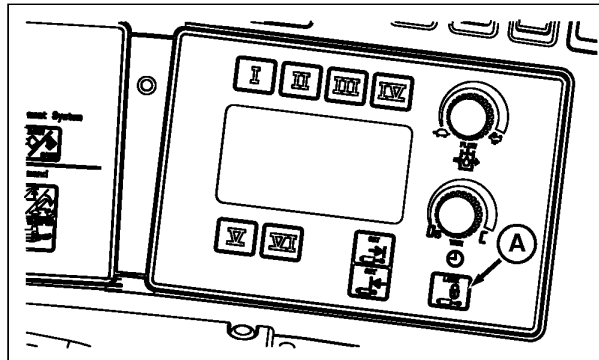
5. Pull hoses **straight** out from receptacles.

6. **Receptacles with High Pressure Relief Levers;** Rotate dust covers down to cover receptacles.

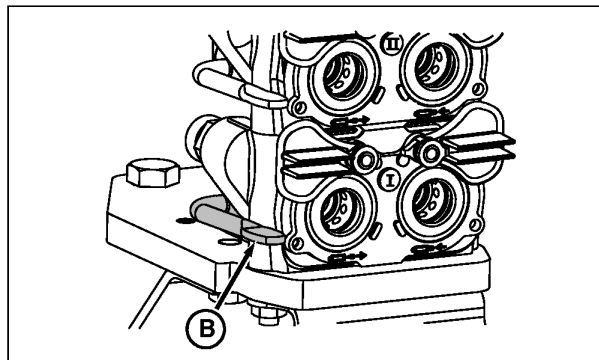
**Push/Pull Breakaway Receptacles;** Install dust caps.



Lever Operated SCV



TouchSet Monitor



Receptacles with High Pressure Relief Levers

**A-Transport Lock Touch Switch/Lockouts**  
**B-Lever**

