

**Fuel Injection Pressure**

1. Set the injection nozzle to a nozzle tester.
2. Slowly move the tester handle to measure the pressure at which fuel begins jetting out from the nozzle.
3. If the measurement is not within the factory specifications, replace the adjusting washer (1) in the nozzle holder to adjust it.

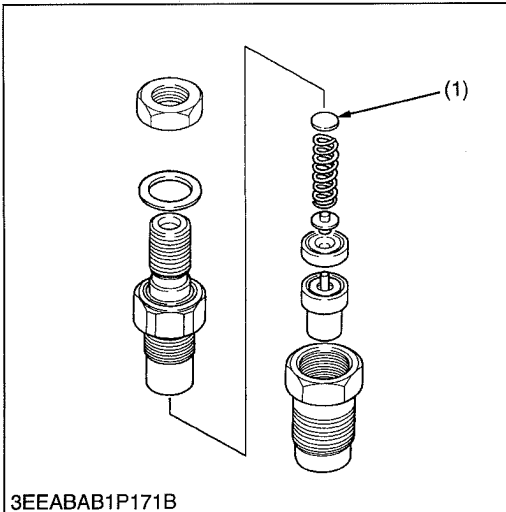
**(Reference)**

- Pressure variation with 0.025 mm (0.00098 in.) difference of adjusting washer thickness.  
Approx. 590 kPa (6.0 kgf/cm<sup>2</sup>, 85 psi)

Fuel injection pressure	Factory spec.	13.73 to 14.70 MPa 140.0 to 150.0 kgf/cm <sup>2</sup> 1992 to 2133 psi
-------------------------	---------------	--

(1) Adjusting Washer

W10476390



**Valve Seat Tightness**

1. Set the injection nozzle to a nozzle tester.
2. Raise the fuel pressure, and keep at 12.75 MPa (130.0 kgf/cm<sup>2</sup>, 1849 psi) for 10 seconds.
3. If any fuel leak is found, replace the nozzle piece.

Valve seat tightness	Factory spec.	No fuel leak at 12.75 MPa 130.0 kgf/cm <sup>2</sup> 1849 psi
----------------------	---------------	---

W10183690

