

TIRES, WHEELS AND BALLAST

TIRES



WARNING

To avoid personal injury:

- Do not attempt to mount a tire on a rim. This should be done by a qualified person with the proper equipment.
- Always maintain the correct tire pressure. Do not inflate tires above the recommended pressure shown in the operator's manual.

IMPORTANT :

- Do not use tires other than those approved by KUBOTA.

■ Inflation Pressure

Though the tire pressure is factory-set to the prescribed level, it naturally drops slowly over the course of time. Thus, check it regularly and inflate as necessary.

	Tire sizes	Inflation Pressure
Rear	8 - 16, 4PR	160kPa(1.6kgf/cm ² , 23psi)
	8.3 - 16, 6PR	150kPa(1.5kgf/cm ² , 22psi)
	9.5 - 16, 4PR	140kPa(1.4kgf/cm ² , 20psi)
	9.5 - 18, 4PR	160kPa(1.6kgf/cm ² , 23psi)
	315/75D - 15, 4PR	100kPa(1.0kgf/cm ² , 14psi)
	11.2 - 16, 4PR	130kPa(1.3kgf/cm ² , 18psi)
	12 - 16.5, 4PR	270kPa(2.7kgf/cm ² , 40psi)
	31x13.5 - 15, 4PR	140kPa(1.4kgf/cm ² , 20psi)
	31x15.5 - 15, 4PR	140kPa(1.4kgf/cm ² , 20psi)
	33x12.5 - 15, 4PR	140kPa(1.4kgf/cm ² , 20psi)
Front	5 - 12, 4PR	240kPa(2.4kgf/cm ² , 34psi)
	6 - 12, 4PR	200kPa(2.0kgf/cm ² , 28psi)
	7 - 12, 4PR	170kPa(1.7kgf/cm ² , 24psi)
	21x8.00 - 10, 4PR	160kPa(1.6kgf/cm ² , 23psi)
	22x8.50 - 12, 4PR	160kPa(1.6kgf/cm ² , 23psi)
	23x8.50 - 12Turf, 4PR	150kPa(1.5kgf/cm ² , 22psi)
	23x8.50 - 12Ind., 4PR	250kPa(2.5kgf/cm ² , 35psi)
	24x8.50 - 12, 4PR	160kPa(1.6kgf/cm ² , 23psi)

NOTE :

- Maintain the maximum recommended pressure in the front tires, when using a front loader or equipped with a full load of front weights.

■ Dual Tires

Dual tires are not approved.

WHEEL ADJUSTMENT



CAUTION

To avoid personal injury:

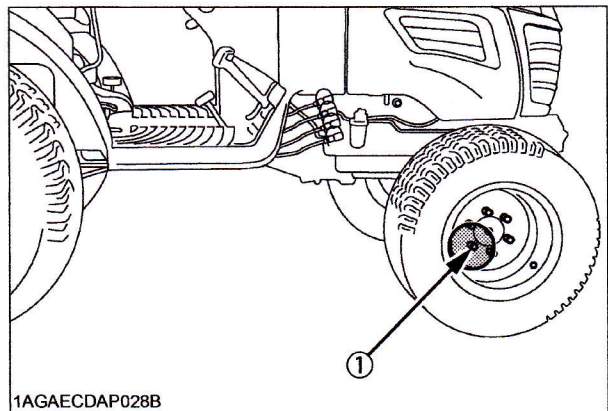
- When working on slopes or when working with trailer, set the wheel tread as wide as practical for maximum stability.
- Support tractor securely on stands before removing a wheel.
- Do not work under any hydraulically supported devices. They can settle, suddenly leak down, or be accidentally lowered. If necessary to work under tractor or any machine elements for servicing or adjustment, securely support them with stands or suitable blocking beforehand.
- Never operate tractor with a loose rim, wheel, or axle.

■ Front Wheels

Front tread width can not be adjusted.

IMPORTANT :

- Do not turn front discs to obtain wider tread.



1AGAECDAP028B

(1) 79 to 92 N-m (8.1 to 9.4 kgf-m, 58.3 to 67.9 ft-lbs)