

**MACHINE: Ford 3-, 4-, and  
6-Cylinder Agricultural Tractors  
1965 to Present and 3-Cylinder  
Straddle Mount Industrial  
Tractors 1965 to 1978**

**TOPIC: Key Switches, Wiring, and Terminal Identification**

1/91 - T5

**INFORMATION**

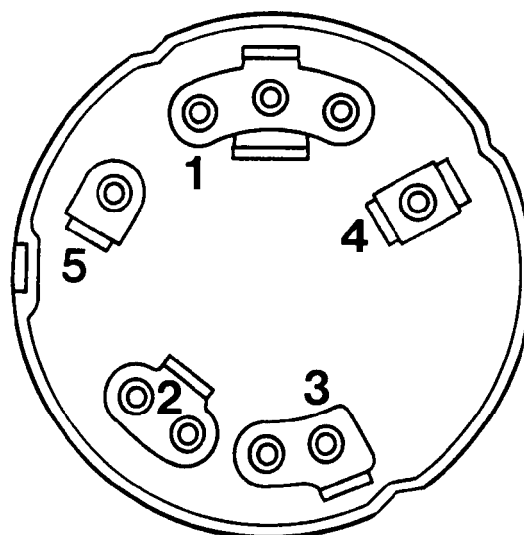
All agricultural tractors manufactured since 1965 and all industrial straddle mount industrial tractors manufactured from 1965 to 1978 can be serviced with the five-position key switch described in this bulletin. The four-position key switch previously specified for diesel less Thermostart and gasoline tractors will not be supplied after present stock is depleted.

This switch has five positions: "Off," "Accessory," "On," "Heat/Ether" and "Start." The key is rotated clockwise for all positions. The "Off," "Accessory" and "On" positions have detents. The key is rotated against light spring pressure for the "Heat/Ether" position and against heavier spring pressure for the "Start" position. When released, the key returns to the "On" position (Figure 1). The terminal end of this switch is dipped in black neoprene sealant. See Service Journal 6-88, page 4, bulletin T1.

**Figure 1 - Key Switch, 5-position, Neoprene dipped**

**Terminal No. Circuit**

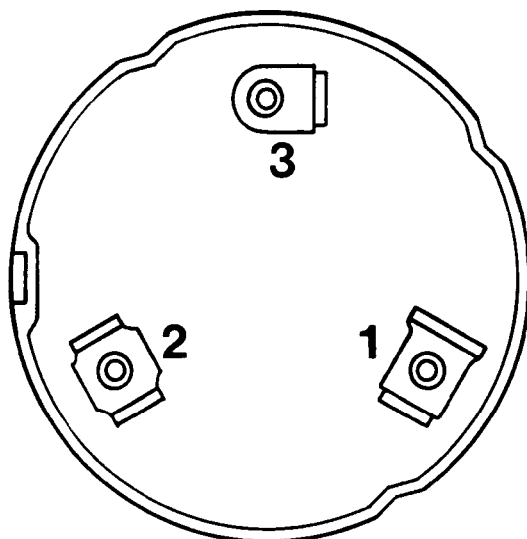
- 1 Battery feed and light switch connection
- 2 Accessory
- 3 Thermostart or ether start
- 4 Gauge, warning lamp and ignition
- 5 Safety start switch and starter solenoid



*Key Switch Terminals  
5 POSITION SWITCH*

FIGURE 1

For diesel less cold start and gasoline tractors, where an accessory terminal is not required, a three-position key switch will continue to be available (Figure 2).



KEY SWITCH TERMINALS  
3 POSITION SWITCH

FIGURE 2

Figure 2 - Key Switch, 3-position

Terminal No.	Circuit
1	Battery feed and light switch Gauge, warning lamp and ignition
2	Safety start switch and starter solenoid

## PARTS INFORMATION

### KEY SWITCHES:

#### Prior Part Number

D3NN-11 N572-A	- 3 position
D5NN-11 N572-A	- 4 position
D5NN-11 N501-A	- 5 position
E8NN-11 N501 -AA*	- 5 position, non-dipped

#### Current Part Number

C5NN-11 N572-A	- 3 position
E7NN-11 N501 -AB	- 5 position, neoprene dipped
E7NN-11 N501 -AB	- 5 position, neoprene dipped
E7NN-11 N501 -AB	- 5 position, neoprene dipped
E7NN-11603-AA	- Key, all switches

\*E8NN-11 N501-AA is presently used in production for agricultural tractors with cabs. Terminal arrangement and operation is identical to service replacement switch E7NN-11 N501-AB.

## WARRANTY STATUS

For information only.