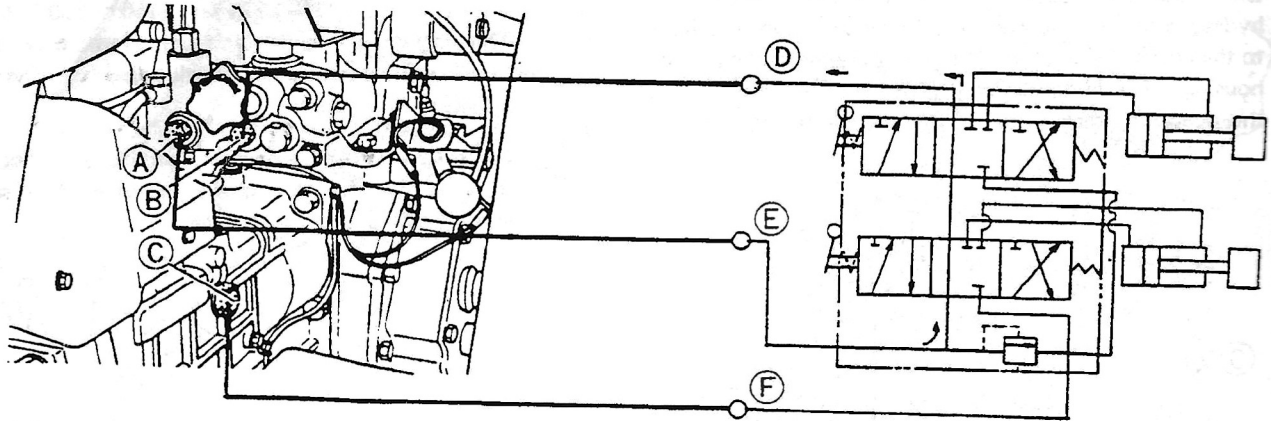


CYLINDER HEAD (Continued)

AUXILIARY OUTLET (II) AND RELATED PORTS



2267073

A - Outlet Port
B - Inlet Port

C - Oil Return Port
D - PBY Port

E - IN on Control Valve
F - OUT on Control Valve

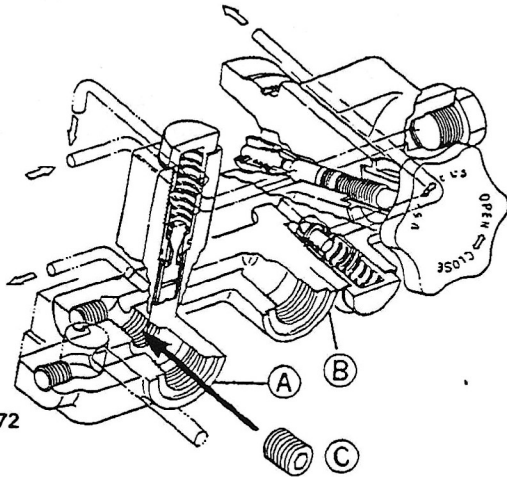
Fig. 10 - Connections of Tractor Ports & Control Valve of Implement

The auxiliary valves should have five ports (IN, OUT, PBY, A and B), or selector valve. The hydraulic return line from "T" or "OUT" port of auxiliary value must be connected to the return oil plug (3/4-16 UNF with O-ring).

When using these ports for implements, the connecting passage between outlet port (A: Pump side) and Inlet port (B: Hydraulic lift side) in the hydraulic cylinder head must be blocked by using the headless plug (1/4-18 NPTF), which is supplied with the implement.(Fig. 11)

Whenever dismantling the hydraulic lines of implement from the outlet ports, must remove the headless plug to avoid hydraulic pump breakage.

Volume of oil required to extend cylinder must not lower Transmission-Hydraulic oil level below end of dipstick. Check oil level with cylinder fully extended.



2267072

A - Outlet Port
B - Inlet Port

C - Plug, 1/4-18 NPTF

Fig. 11 - Installing Headless Plug