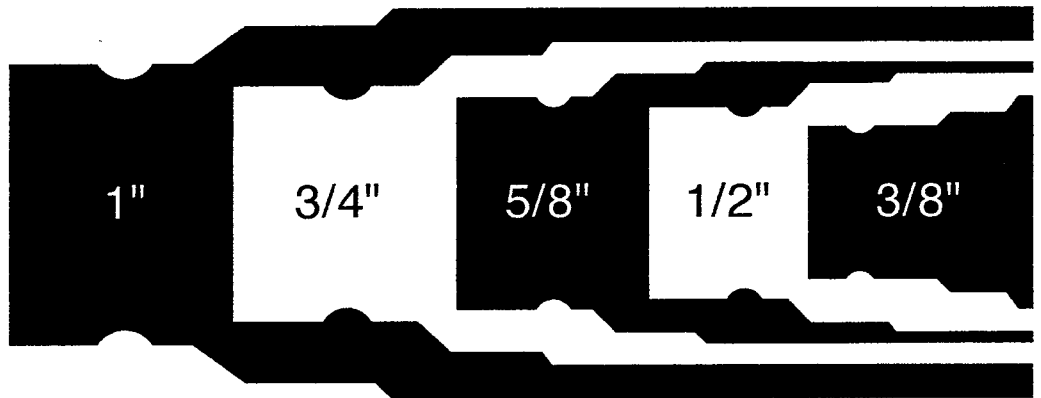


Size Chart - Hydraulic Quick Couplers

The fractional (1/2", 3/4", etc.) coupler sizes shown here are nominal only. To identify your existing hydraulic quick couplers, match the male coupler to one of the outlines show below.

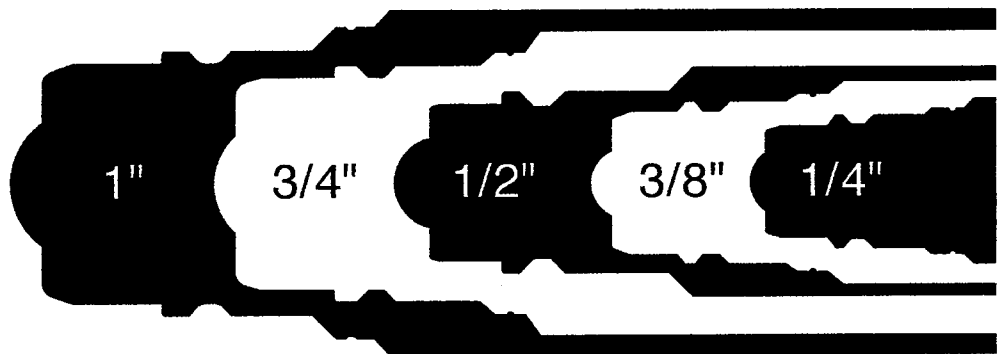
ISO 16028 HT Series Flush-Face

Interchanges with:
Faster FFI Series
Holmbury A Series
Parker FEM Series
Snap-Tite 74 Series



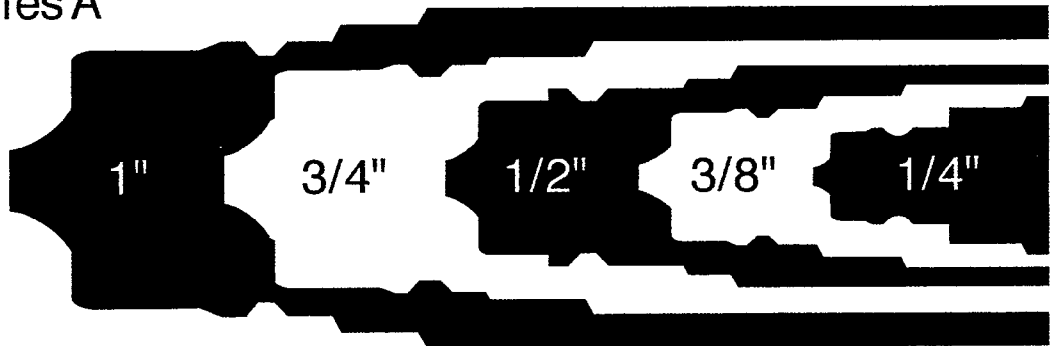
ISO 5675 AG Series Agricultural

Interchanges with:
Faster NS Series
Parker/Pioneer 4000 Series
Safeway S20 Series
Tomco PC Series



ISO 7241-1 Series A 600 Series Hydraulic

Interchanges with:
Aeroquip FD56 (5600) Series
Faster ANV Series
Hansen HA15000 Series
Parker 6600 Series
Safeway S56 Series



ISO 7241-1 Series B 700 Series Hydraulic

Interchanges with:
Aeroquip FD45 Series
Faster HNV Series
Hansen HK Series
Parker 60 Series
Snap-Tite 72 Series

