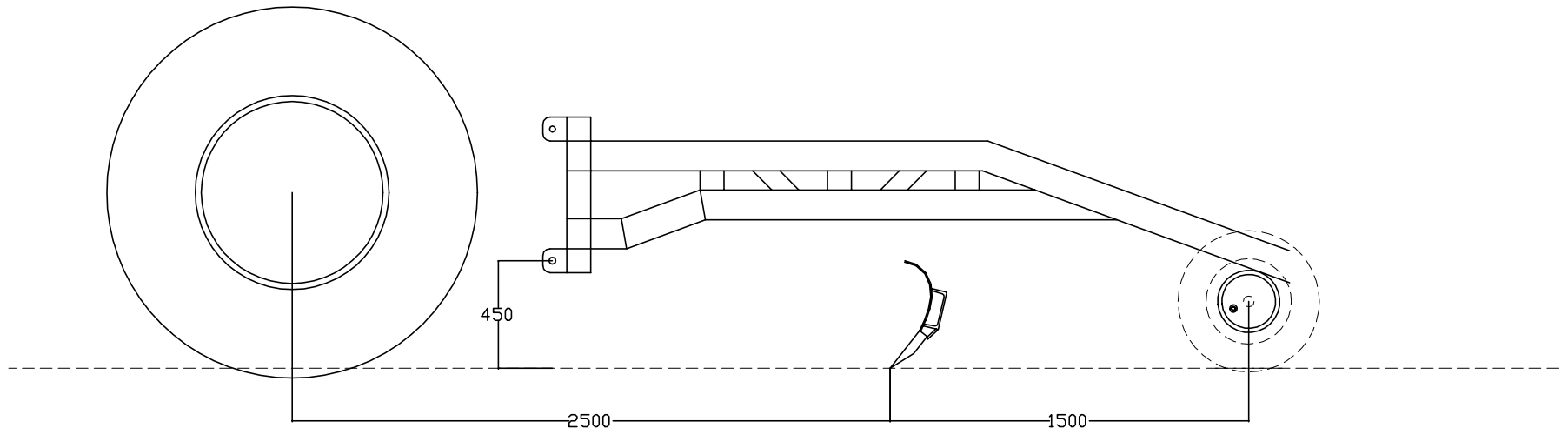


You are using  
ZWCAD 2008 Trial Version  
Please contact [WWW.ZWCAD.COM](http://WWW.ZWCAD.COM) for detailed information



3pt grader