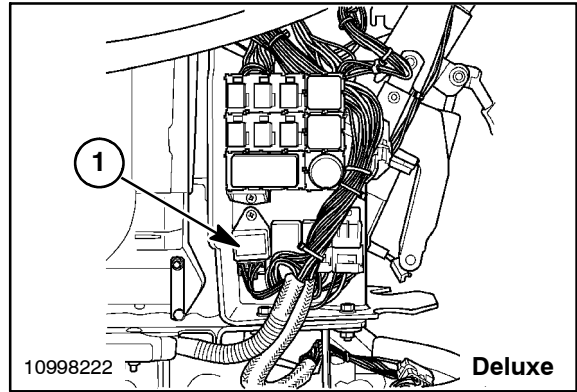


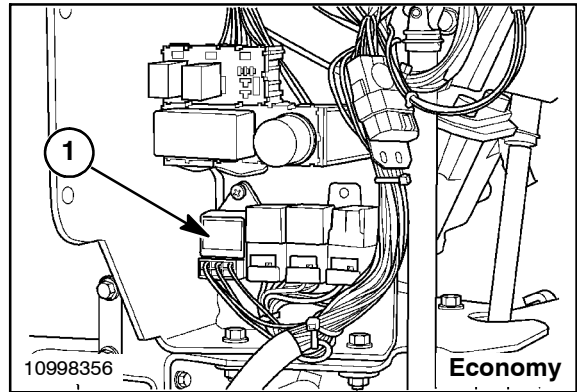
GLOW PLUG TIMER

Description and Location

The glow plug timer, 1, is an electronic timer that is located under the left side of the dash cover, behind the tractor's firewall. The timer controls how long the glow plugs and the indicator light on the instrument panel remain supplied with current when the key switch is turned from the "OFF" position to the "ACC/RUN" position. The glow plug timer delays the glow plugs and indicator light on deluxe model tractors for 4-5 seconds and for 10-11 seconds on the economy model tractors. The glow plug timer controls the glow plug and indicator light circuit by supplying or cutting the ground path to the glow plug power relay's coil circuit.



80



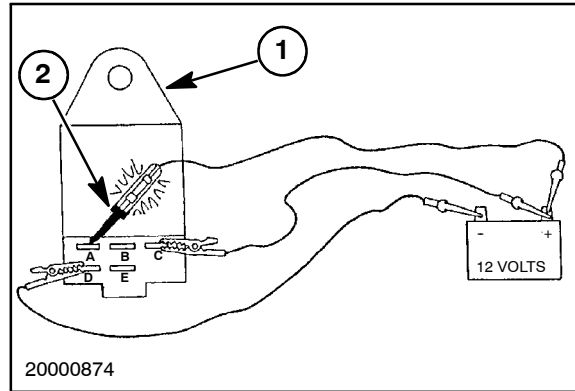
81

Glow Plug Indicator Light Timer Testing

1. Disconnect the negative (-) battery cable from the battery.
2. Remove the bolt retaining the light timer to the tractor and disconnect the timer from the main wiring harness.

NOTE: The terminals are not number or letter coded on the light timer.

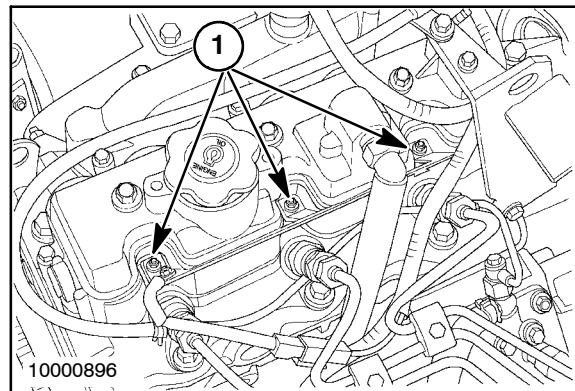
3. Connect a jumper wire from terminal "C" on the timer, 1, to the positive (+) terminal of a 12-volt power supply.
4. Connect a test light, 2, from terminal "A" of the timer, 1, to the positive (+) terminal of a 12-volt power supply.
5. Connect a jumper wire from terminal "D" of the timer, 1, to the negative (-) terminal of the 12-volt power supply. Observe the test light, 2.
6. The test light should illuminate for approximately 4 – 5 seconds for the deluxe models and 10-11 seconds for economy models, then turn off. If the test light fails to illuminate or does not turn off after the specified time, the timer is defective and needs replaced.
7. Connect the negative (-) battery cable to the battery.



82

Op. 55 201**ENGINE GLOW PLUGS****Description**

The engine glow plugs, 1, are located on the right side of the engine cylinder head, below the fuel injectors. The glow plugs are used to preheat the air in the pre-combustion chamber. This aids in the starting of the engine when cold.



83