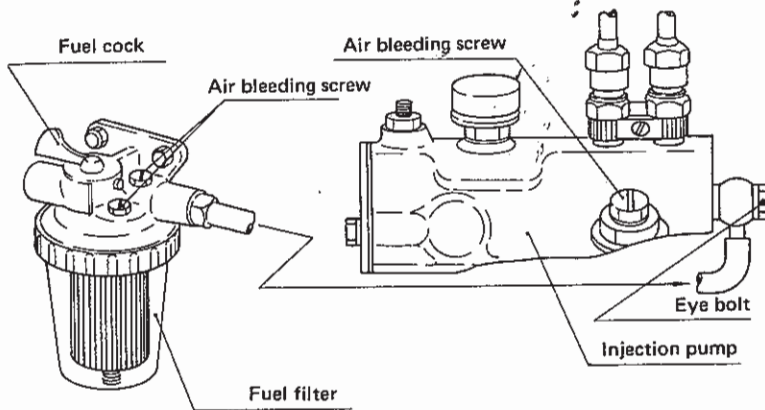


MODELS TS2510, TS2210, TS1910 and TS1610



- (1) Confirm that fuel cock is opened.
- (2) Loosen 2 air bleeding screws on the fuel filter to bleed air.
After bleeding air, screwing them tightly.
- (3) Loosen the eye bolt on the injection pump to bleed air in the fuel line. Then, tighten it securely.
- (4) Loosen the air bleeding screw on the injection pump to bleed air. Then, tighten it securely. This completes air bleeding.

● ADJUSTING FRONT AND REAR TREADS

Following is the explanation about adjustment of treads for each tractor model.



CAUTION:

- When adjusting the tread, always keep safety on mind.
- All bolts and nuts should be securely tightened.