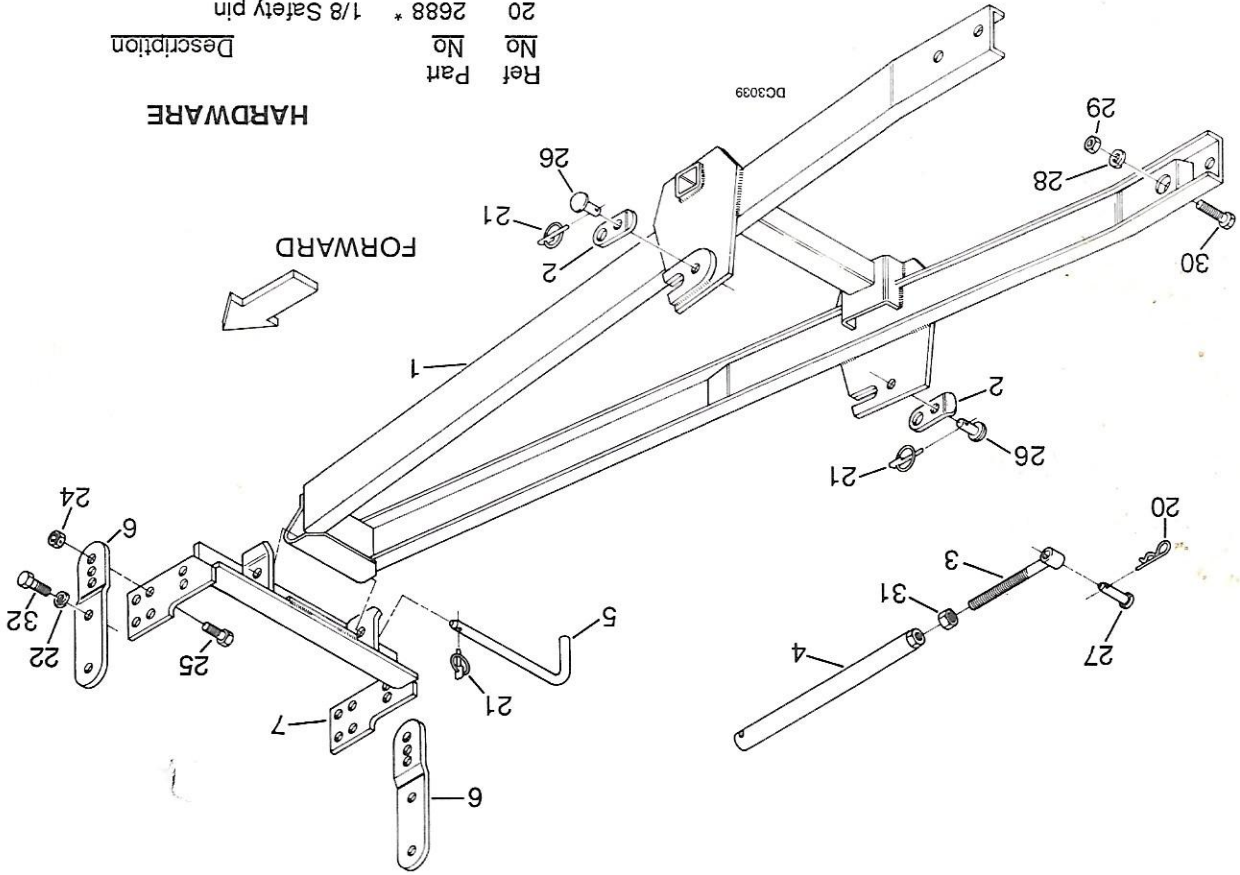


WARNING
 Always use original equipment high-strength tractor top link pin and special heavy-duty top link provided with sub-frame kit when attaching backhoe to tractor. Use heat-treated clevis pin or grade 5 bolt when attaching special top link to backhoe.

DANGER decal on the backhoe are obtained. Failure to obtain the necessary clearances may result in serious injury or death. Refer to Backhoe Operator's Manual for operation instructions.

SUB-FRAME MOUNTING KIT



HARDWARE

Ref No	Part No	Description
20	2688 *	1/8 Safety pin
21	62043 *	1/4 x 1-3/4 Klik pin
22	1286 *	5/8 Heavy lockwasher
24	6239 *	5/8 NC Hex locknut
25	902 *	5/8 NC x 2 Hex head cap screw GR5
26	8320	3/4 x 1-3/4 Clevis pin HT
27	62540	3/4 x 3-1/4 Clevis pin
28	30008 *	7/8 Lockwasher
29	4261	7/8 NC Hex nut
30	62541 *	7/8 NC x 2-1/2 Hex head cap screw GR5
31	3132	1" NC Hex nut
32	64062	16mm x 2.0P x 40mm Hex head cap screw (used without loader)
32	33252	16mm x 2.0P x 55mm Hex head cap screw GR8.8 (used with Ford 7108 loader)

Ref No	Part No	Description	Used
1	33265	Ford 1320-1920 backhoe sub-frame	1
2	33261	Sub-frame lock bar	2
3	64956	Inner top link	1
4	64954	Outer top link	1
5	64953	3/4 x 1.5 Lock pin	1
6	33276	Side bar	2
7	33275	Front mounting bracket	1

* Obtain Locally