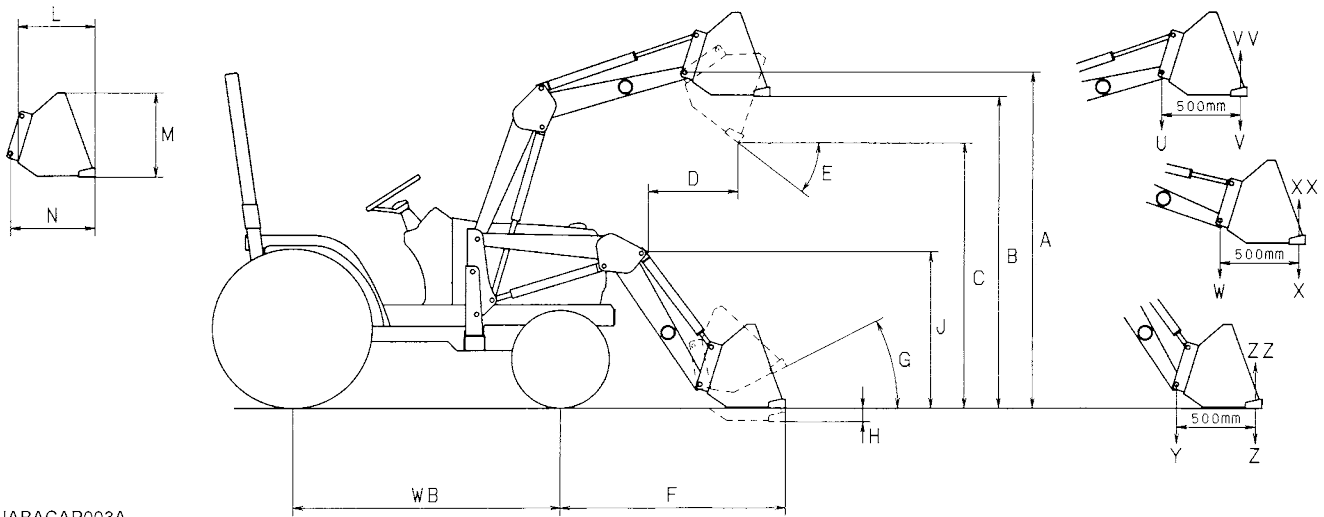


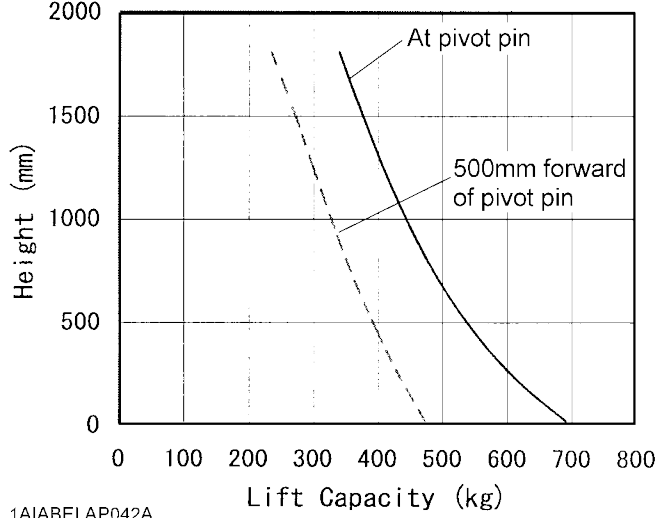
## OPERATIONAL SPECIFICATIONS

LOADER MODEL			LA340	LA340S
TRACTOR MODEL			BX23S	
U	LIFT CAPACITY (BUCKET PIVOT PIN, MAX. HEIGHT)	kg (lbs.)	335 (739)	278 (613)
V	LIFT CAPACITY (500 mm FORWARD, MAX. HEIGHT)	kg (lbs.)	231 (509)	192 (423)
W	LIFT CAPACITY (BUCKET PIVOT PIN, 1500 mm HEIGHT)	kg (lbs.)	372 (820)	317 (699)
X	LIFT CAPACITY (500 mm FORWARD, 1500 mm HEIGHT)	kg (lbs.)	268 (591)	229 (505)
Y	BREAKOUT FORCE (BUCKET PIVOT PIN)	N (lbs.)	6258 (1407)	5719 (1286)
Z	BREAKOUT FORCE (500 mm FORWARD)	N (lbs.)	4389 (987)	4008 (901)
VV	BUCKET ROLL-BACK FORCE AT MAX. HEIGHT	N (lbs.)	4731 (1064)	4431 (996)
XX	BUCKET ROLL-BACK FORCE AT 1500mm HEIGHT	N (lbs.)	5557 (1249)	5264 (1183)
ZZ	BUCKET ROLL-BACK FORCE AT GROUND LEVEL	N (lbs.)	5456 (1227)	5195 (1168)
	RAISING TIME	sec.	3.3	
	LOWERING TIME	sec.	2.5	
	BUCKET DUMPING TIME	sec.	2.7	
	BUCKET ROLLBACK TIME	sec.	2.3	

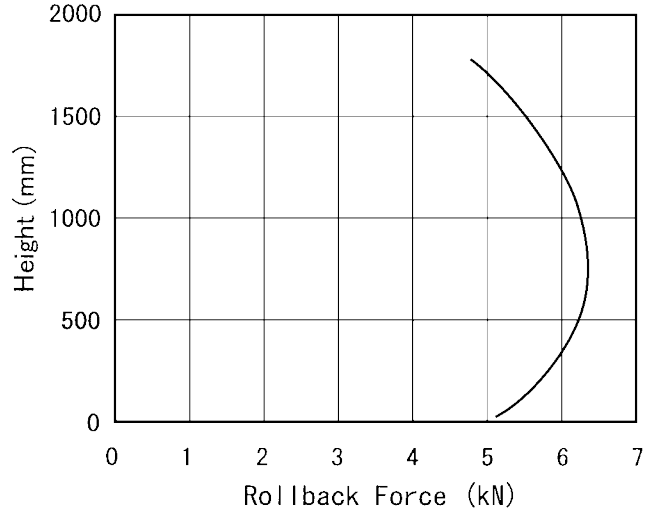


1AIABACAP003A

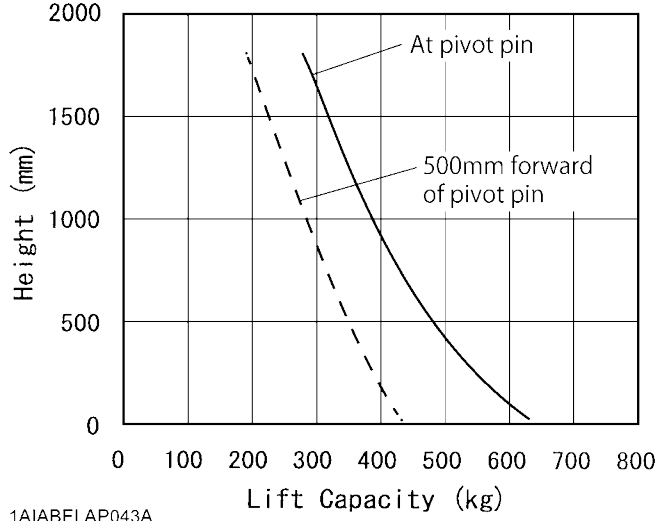
**[LA340]**



1A1ABELAP042A



**[LA340S]**



1A1ABELAP043A

