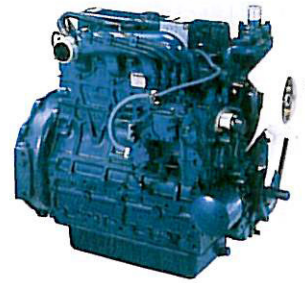
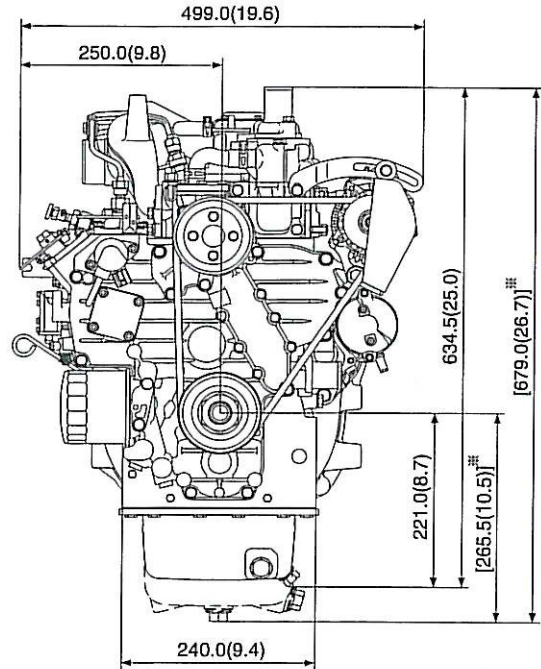
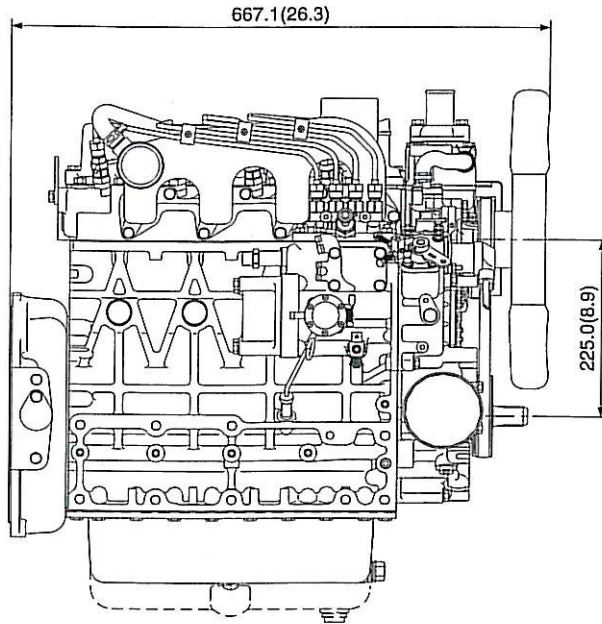


# V2203-M



## Dimensions mm(in.)

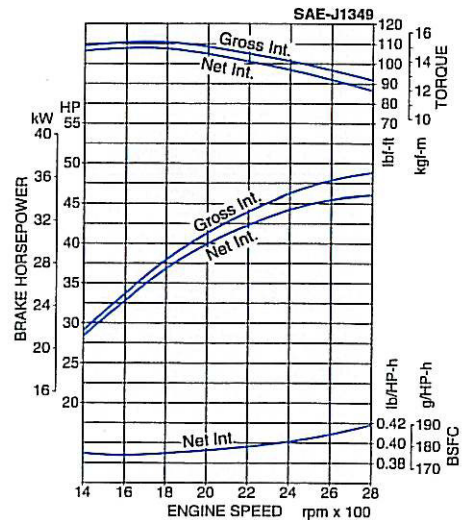


※[ ]For EU

## Specifications

Model		V2203-M
Cylinders		4
Bore x Stroke	mm (in.)	87 {3.43} x 92.4 {3.64}
Displacement	L (cu.in.)	2.197 (134.1)
Combustion / Intake system		E-TVCS,NA
Cooling system		Liquid-Cooled
Starter		V-kW
Speed		rpm
Output	Gross intermittent	36.4 {48.8} {49.5}
	Net intermittent	34.3 {46.0} {46.7}
	Net continuous	29.8 {40.0} {40.5}
Dimensions	Length	mm (in.)
	Width	mm (in.)
	Height1	mm (in.)
	Height2	mm (in.)
Dry Weight		kg (lb)

## Performance Curve



\*Specifications are subject to change without notice.

\*Dry weight is according to Kubota's standard specifications.

\*Gross Intermittent: 1-hour rating based on engine without cooling fan, air cleaner and muffler, with alternator (Idling). (SAE J1995)

\*Net Intermittent: 1-hour rating based on engine with standard cooling fan, air cleaner, muffler, and alternator (Idling). (SAE J1346, ISO 3046 IFN)

\*Net Continuous: Continuous rating based on engine with standard cooling fan, air cleaner, muffler, and alternator (Idling). (ISO 3046 IC15N)

\*Atmospheric Condition: Ambient temperature 25°C, Relative humidity 30%, Barometric pressure 750 mm Hg (100 kPa)

\*Conversion Formula: HP=0.746 kW, PS=0.7355 kW

\*Height 1 : Overall Height

\*Height 2 : From crankshaft center to lower edge of engine.