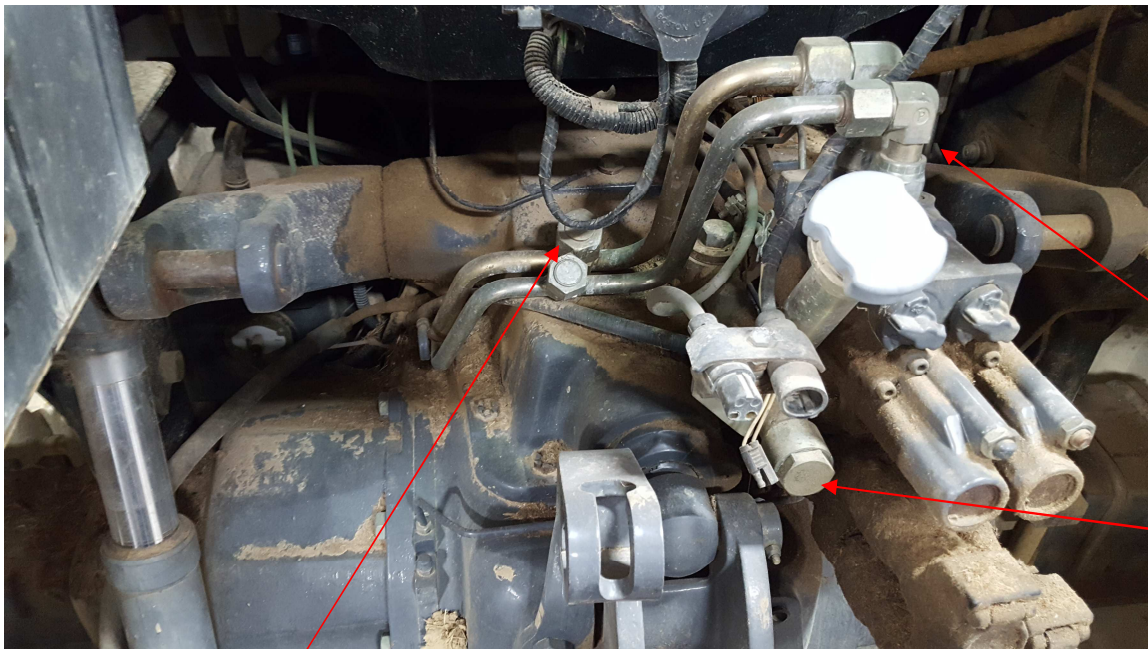




7740 WITH
THREE
REMOTES



TS110
WITH
DOUBLE
REMOTE

Elbow
fitting

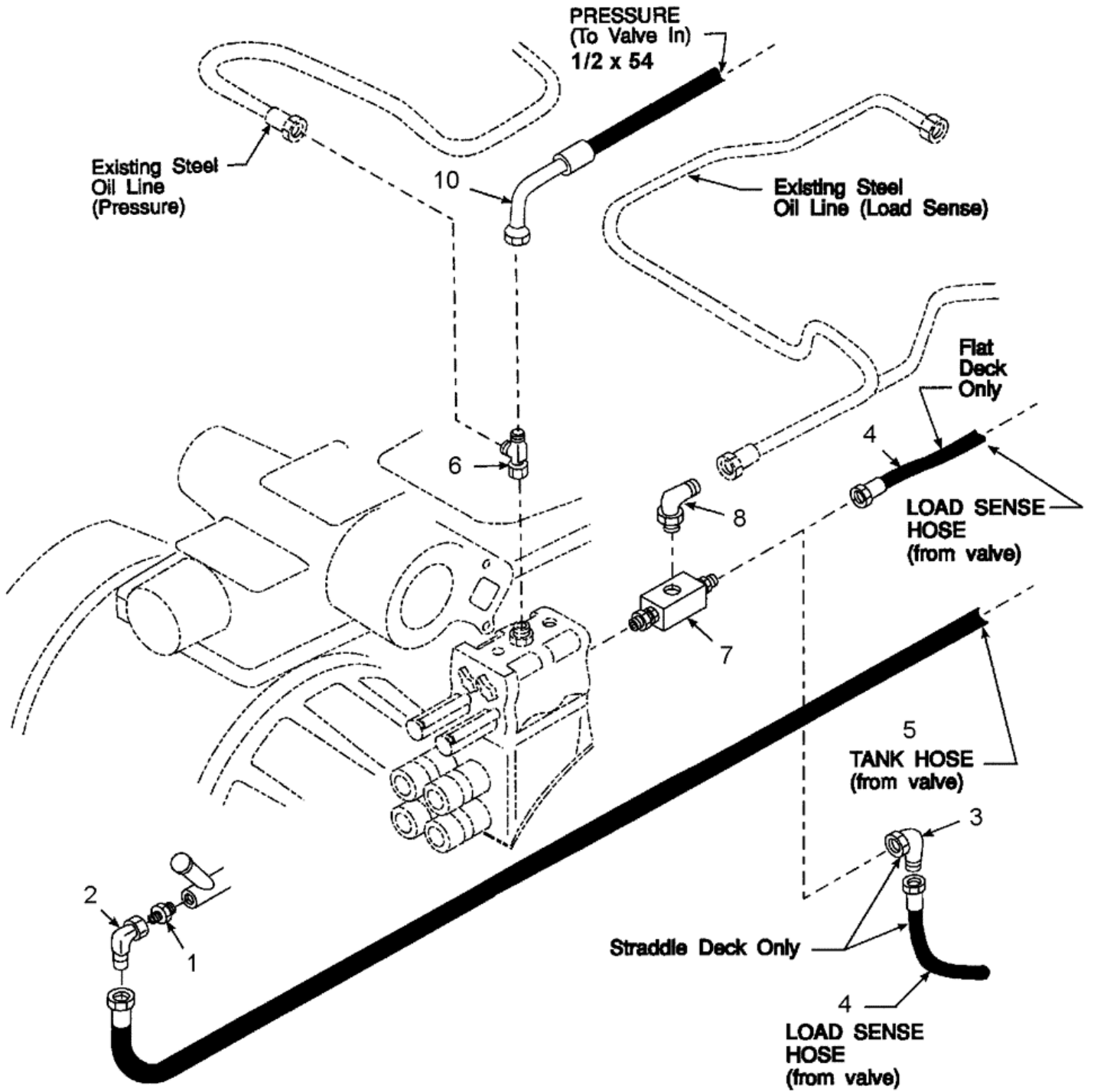
Plug in fill
tube

If you do not have more than 2 remotes and you do not plan on adding additional remotes, you can remove these two caps for supply and return oil to the loader valve.

If you have more than two remotes you will need to remove the elbow fitting and replace with a SML406551 tee fitting in its place. You will also need to remove the plug in the fill tube for the return oil and replace with SML362492 adapter and 182977 fitting. You will need the shuttle valve also and fitting for the load sense line. It would probably be best to work with your dealer on this since some models use flat face oring fittings and other use 37 degree JIC fittings. The kit I am looking at is 715843006 which I have installed on either a 7740 or TS tractor. The parts breakdown is in the 7312 parts catalog.

Serial Number:

Navigated Path: New Holland AG NAR > MATERIAL HANDLING > LOADERS > FL > 7312 - QUICK ATTACH FARM LOADER (1/97-) > 35 - HYDRAULIC SYSTEMS > 061 - CONTROL VALVE PLUMBING TO SINGLE SET OF REAR REMOTES - 715843006 >



Serial Number:

Navigated Path: New Holland AG NAR > MATERIAL HANDLING >LOADERS >FL >7312 - QUICK ATTACH FARM LOADER (1/97-) >35 - HYDRAULIC SYSTEMS >061 - CONTROL VALVE PLUMBING TO SINGLE SET OF REAR REMOTES - 715843006 >

Ref	Qty	Part #	Part Description	Usage
1	1	SML362492	ADAPTER	3/4"-14 BSPP x 7/8"-14 JIC
2	1	182977	90 ELBOW,90 Degree, 7/8"-14, 37 Degree x 7/8"-14, 37 Degree Fem Sw	
3	1	86512933	90 ELBOW,90 Degree, 7/16"-20, 37 Degree x 7/16"-20, 37 Degree Fem Sw	
4	1	SML406563	FLEXIBLE HOSE	1/4" x 92", Load Sense
5	1	SML3669812	HOSE	1/2" x 108", Tank
6	1	SML406551	HYD CONNECTOR	1"-14 O-Ring Swivel, 1"-14 O-Ring Face Male
7	1	SML40777	CONTROL VALVE	Shuttle
8	1	9840541	ELBOW	7/16"-20 O-Ring x 9/16"-18 Face Seal
9	1	SML463331	HOSE	1/2" x 80" - NOT SHOWN
10	1	SML406531	FLEXIBLE HOSE	1/2" x 54"