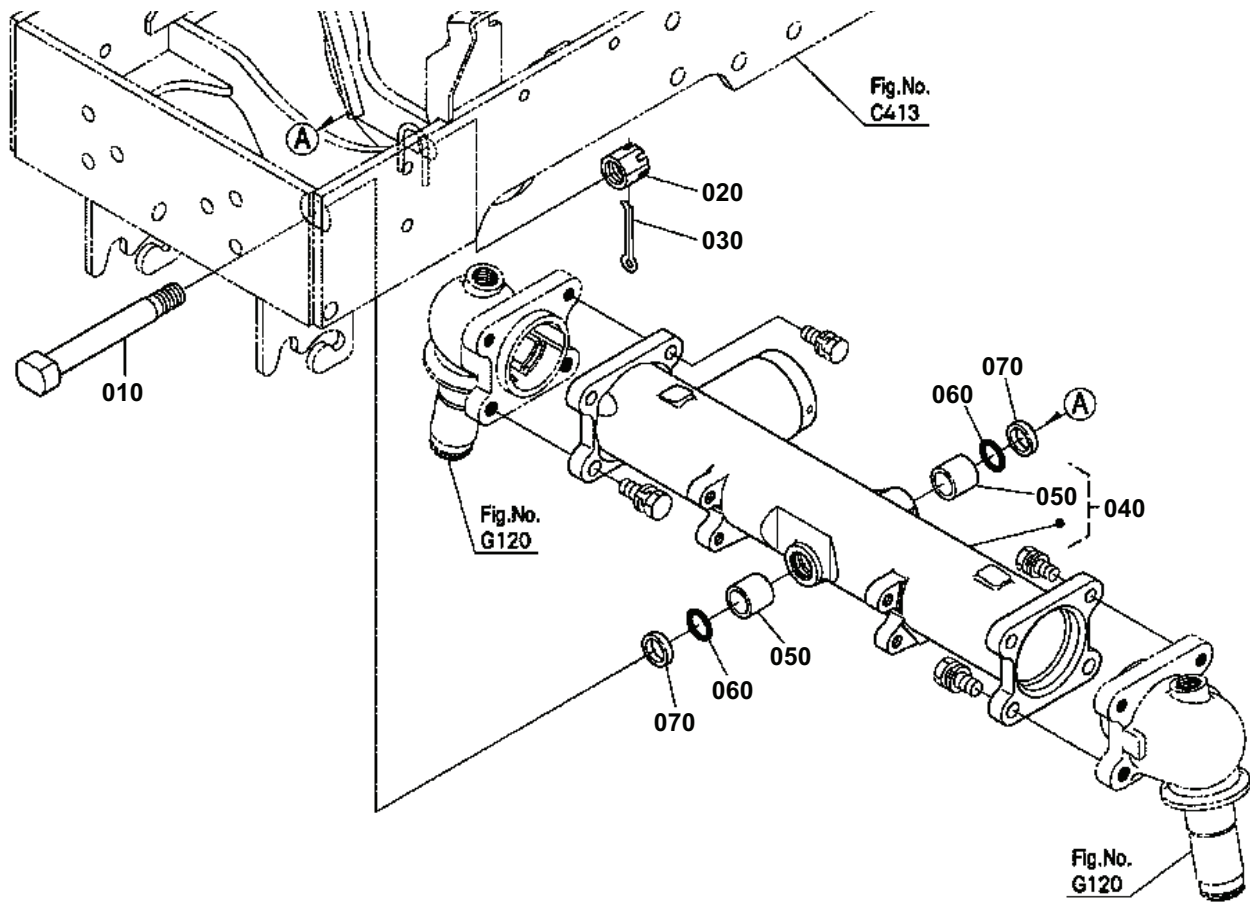


FRONT AXLE CASE



K2511-044-10



FRONT AXLE CASE

↔ Interchangeable; ≠ not interchangeable; ← new for old; → old for new

REF.No	Part No.	Description	Q'ty	S.No.	I/C	REMARKS	Weight (kgf)	Weight (lb)
010	K2511-15130	SHAFT CENTER	1				0.44	0.968
020	K2511-15190	NUT	1				0.03	0.066
030	75599-53195	PIN COTTER	1				0.003	0.0066
040	K2511-90200	ASSY CASE FRONT	1				8.56	18.832
050	08511-02025	BUSH	2				0.02	0.044
060	67817-37190	O RING	2				0.001	0.0022
070	K2561-15250	RING BACK UP	2				0.001	0.0022

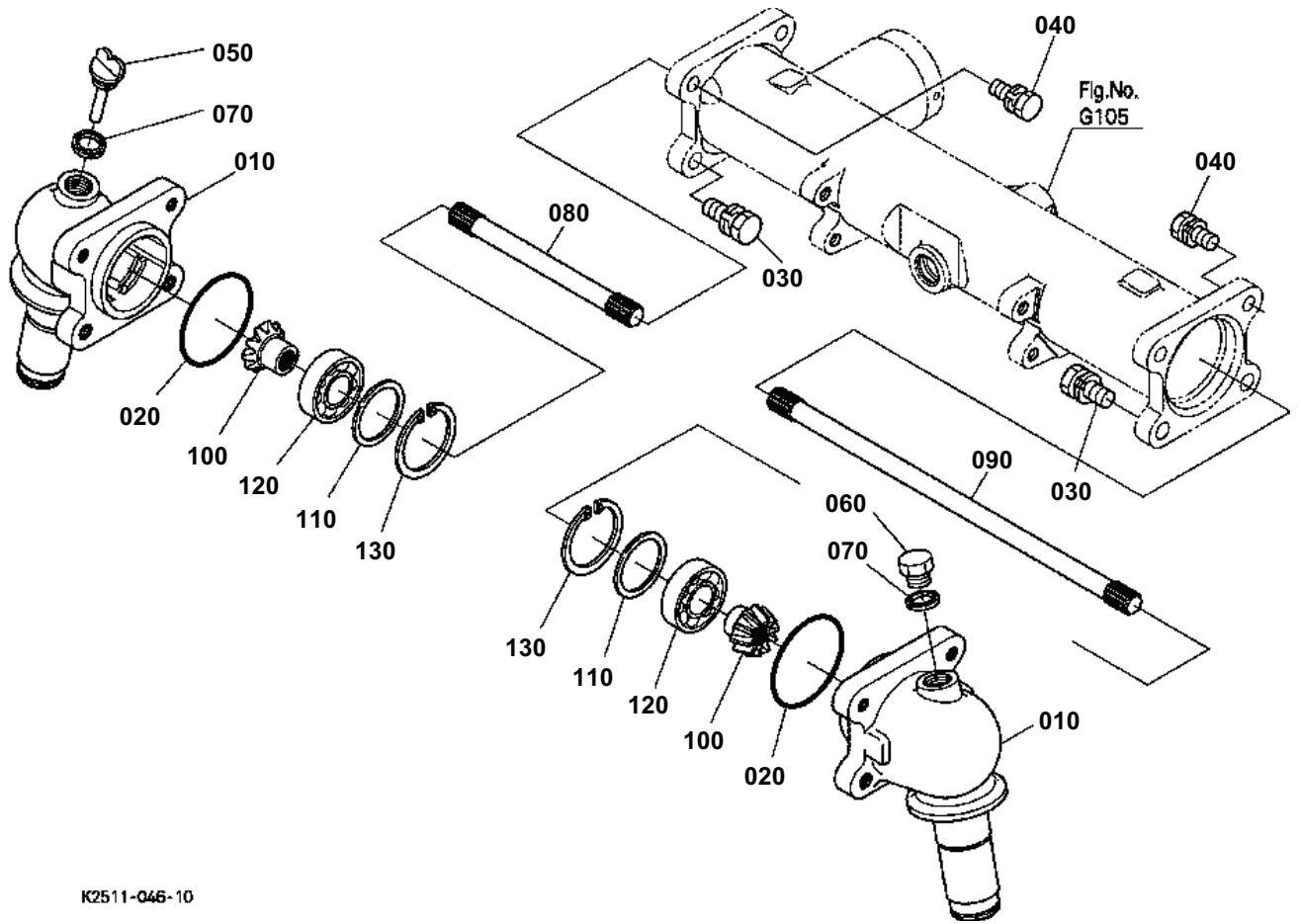


FRONT DIFFERENTIAL

↔ Interchangeable; ≠ not interchangeable; ← new for old; → old for new

REF.No	Part No.	Description	Q'ty	S.No.	I/C	REMARKS	Weight (kgf)	Weight (lb)
010	K2511-15710	SHAFT GEAR	1			10T	0.38	0.836
020	37415-17710	BEARING BALL	2				0.15	0.33
030	37410-58120	COLLAR	1			4.0mm	0.01	0.022
030	37410-58130	COLLAR	1			4.1mm	0.01	0.022
030	37410-58140	COLLAR	1			4.2mm	0.01	0.022
030	37410-58150	COLLAR	1			3.8mm	0.01	0.022
030	37410-58160	COLLAR	1			3.4mm	0.01	0.022
030	37410-58170	COLLAR	1			3.6mm	0.01	0.022
030	37410-56680	COLLAR	1			4.4mm	0.015	0.033
030	37410-56660	COLLAR	1			4.6mm	0.011	0.0242
030	6C040-56620	COLLAR	1			4.5mm	0.01	0.022
030	6C040-56630	COLLAR	1			3.9mm	0.009	0.0198
040	K2511-15720	COLLAR	1				0.024	0.0528
050	04612-00200	CIR CLIP EXTERNAL	1				0.001	0.0022
060	04611-00520	CIR CLIP INTERNAL	1				0.009	0.0198
070	59700-45520	SEAL OIL	1				0.023	0.0506
080	K2511-15910	GEAR BEVEL	1			15T	0.23	0.506
090	K2511-16010	ASSY DIFF. FRONT	1				0.59	1.298
100	K2511-16020	CASE DIFF.FRONT	1	<=50013			0	0
100	K2511-16022	CASE DIFF.FRONT	1	>=50014	←		0.34	0.748
110	K2511-16120	SHAFT DIFF.PINION	1				0.04	0.088
120	04612-00100	CIR CLIP EXTERNAL	1				0.001	0.0022
130	07711-00002	BALL	1				0.001	0.0022
140	K2511-16130	GEAR BEVEL	2			10T	0.022	0.0484
150	K2511-16052	SHIM	2			2.5mm	0.004	0.0088
150	K2511-16062	SHIM	2			2.3mm	0.003	0.0066
150	K2511-16072	SHIM	2			2.7mm	0.004	0.0088
150	K2511-16082	SHIM	2			2.9mm	0.005	0.011
160	K2511-16140	GEAR BEVEL	2			14T	0.075	0.165
170	K2511-16150	SHIM	2			1.0mm	0.005	0.011
170	K2511-16160	SHIM	2			0.8mm	0.004	0.0088
170	K2511-16170	SHIM	2			1.2mm	0.006	0.0132
180	08101-06007	BEARING BALL	2				0.16	0.352
190	67211-14990	SHIM DIFF.GEAR SHAFT	1			0.3mm	0.002	0.0044
190	66621-15240	SHIM DIFF.GEAR SHAFT	1			0.2mm	0.001	0.0022

DIFFERENTIAL GEAR SHAFT



K2511-046-10

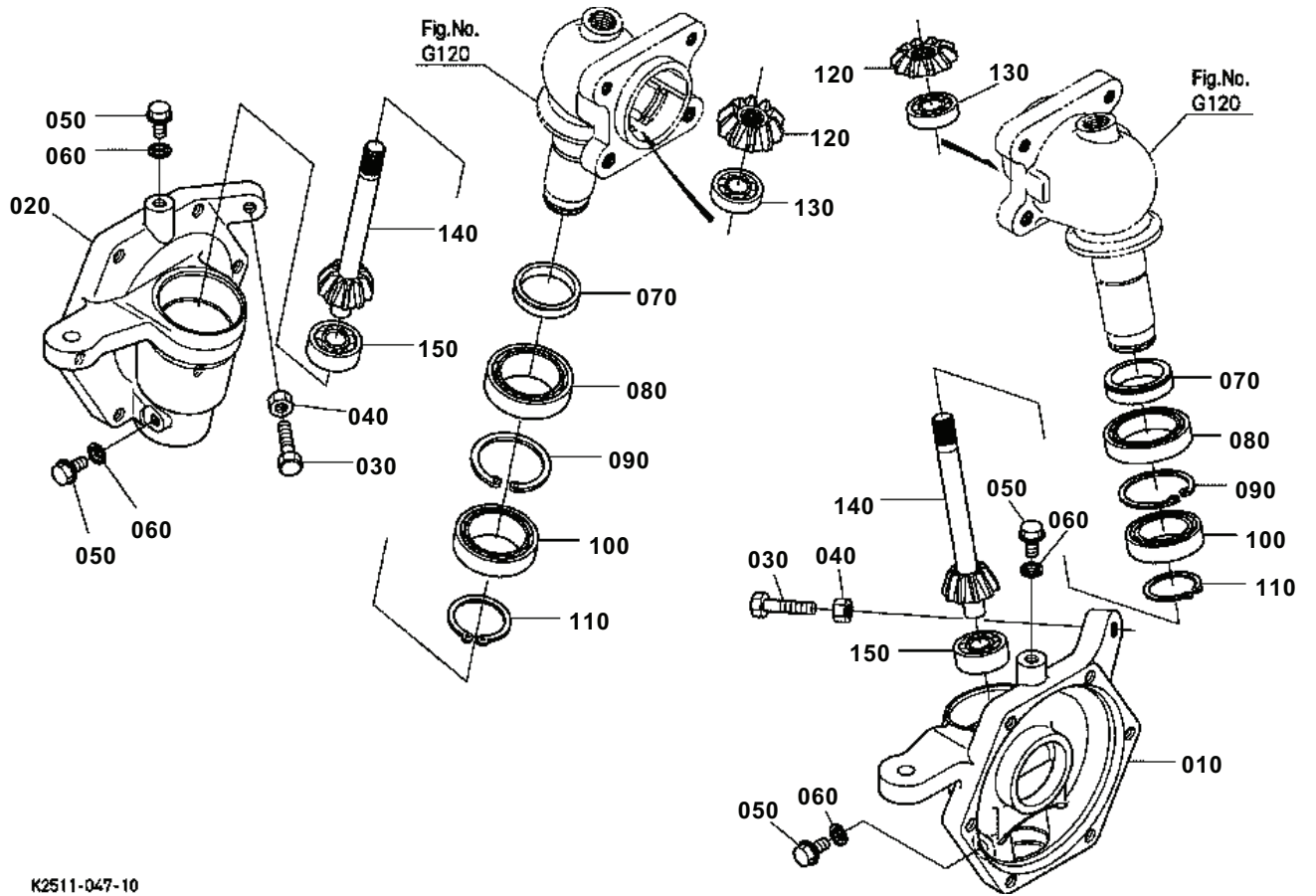


DIFFERENTIAL GEAR SHAFT

↔ Interchangeable; ≠ not interchangeable; ← new for old; → old for new

REF.No	Part No.	Description	Q'ty	S.No.	I/C	REMARKS	Weight (kgf)	Weight (lb)
010	K2511-15220	CASE BEVEL GEAR	2				2.48	5.456
020	04811-50700	O RING	2				0.002	0.0044
030	01133-51235	BOLT	4				0.043	0.0946
040	01133-51035	BOLT	4				0.03	0.066
050	K2561-15240	GAUGE OIL	1				0.011	0.0242
060	06331-45020	PLUG	1				0.08	0.176
070	04717-02000	WASHER WITH RUBBER	2				0.004	0.0088
080	K2511-16220	SHAFT YOKE RH	1				0.28	0.616
090	K2511-16210	SHAFT YOKE LH	1				0.55	1.21
100	K2511-16230	GEAR BEVEL F	2			9T	0.11	0.242
110	66706-14350	SHIM SHAFT	3			1.0mm	0.004	0.0088
110	31353-43160	SHIM	3			0.8mm	0.01	0.022
110	31353-43180	SHIM	3			1.2mm	0.003	0.0066
110	31353-43150	SHIM	3			0.6mm	0.001	0.0022
110	6A320-56680	SHIM	3			1.4mm	0.006	0.0132
110	6A320-56690	SHIM	3			1.6mm	0.007	0.0154
120	08101-06205	BEARING BALL	2				0.14	0.308
130	04611-00520	CIR CLIP INTERNAL	2				0.009	0.0198

FRONT AXLE CASE



K2511-047-10

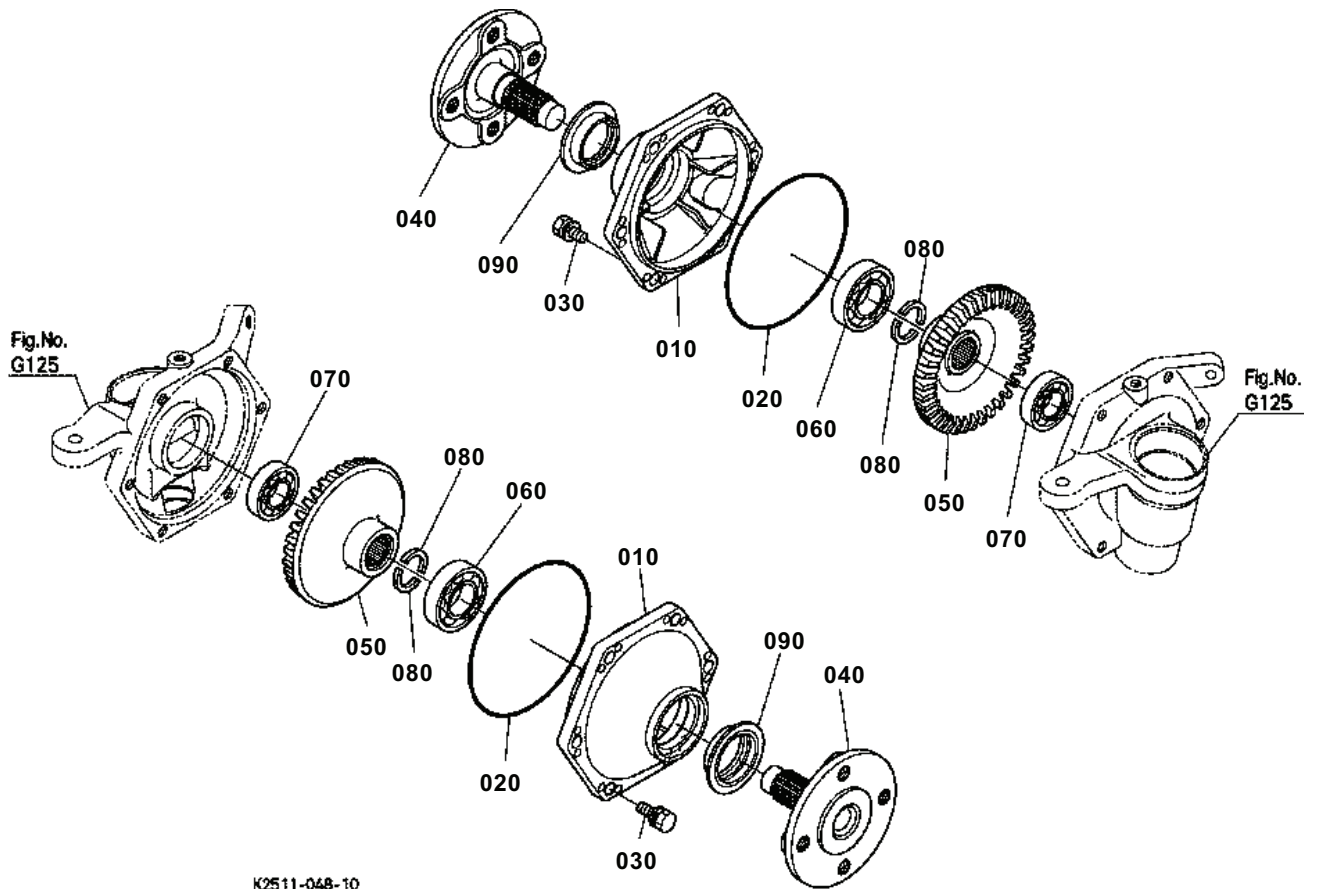


FRONT AXLE CASE

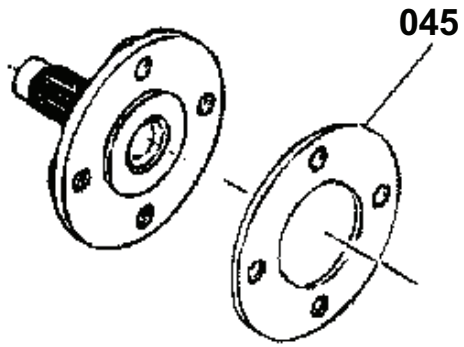
↔ Interchangeable; ≠ not interchangeable; ← new for old; → old for new

REF.No	Part No.	Description	Q'ty	S.No.	I/C	REMARKS	Weight (kgf)	Weight (lb)
010	K2511-15410	CASE FRONT GEAR LH	1				3.65	8.03
020	K2511-15420	CASE FRONT GEAR RH	1				3.67	8.074
030	66711-13320	BOLT ADJUSTING	2				0.028	0.0616
040	02118-50100	NUT	2				0.005	0.011
050	01774-51010	BOLT FLANGE	4				0.08	0.176
060	04717-01000	WASHER WITH RUBBER	4				0.001	0.0022
070	K2511-15290	SEAL OIL	2				0.075	0.165
080	08101-06908	BEARING BALL	2				0.11	0.242
090	04611-00550	CIR CLIP INTERNAL	2				0.01	0.022
100	08101-06907	BEARING BALL	2				0.073	0.1606
110	04612-00350	CIR CLIP EXTERNAL	2				0.01	0.022
120	K2511-16280	GEAR BEVEL F	2			13T	0.18	0.396
130	08101-06203	BEARING BALL	2				0.063	0.1386
140	K2511-16310	SHAFT BEVEL GEAR	2			9T	0.39	0.858
150	08101-06303	BEARING BALL	2				0.112	0.2464

FRONT AXLE



045 K2511-1821-0



K2511-800-10

**FRONT AXLE**

↔ Interchangeable; ≠ not interchangeable; ← new for old; → old for new

REF.No	Part No.	Description	Q'ty	S.No.	I/C	REMARKS	Weight (kgf)	Weight (lb)
010	K2511-15480	COVER GEAR CASE	2				0.59	1.298
020	04811-51450	O RING	2				0.005	0.011
030	01133-51030	BOLT	12				0.025	0.055
040	K2511-16410	SHAFT FRONT AXLE	2	<=54476			1.44	3.168
040	K2511-16412	SHAFT FRONT AXLE	2	>=54477	≠		1.44	3.168
045	K2511-18210	SPACER	2	<=54476			0	0
050	K2511-16320	GEAR BEVEL	2			36T	1.41	3.102
060	08101-06206	BEARING BALL	2				0.196	0.4312
070	08101-06205	BEARING BALL	2				0.14	0.308
080	67156-56820	COLLAR SET	4				0.004	0.0088
090	37410-57340	SEAL OIL	2				0.045	0.099