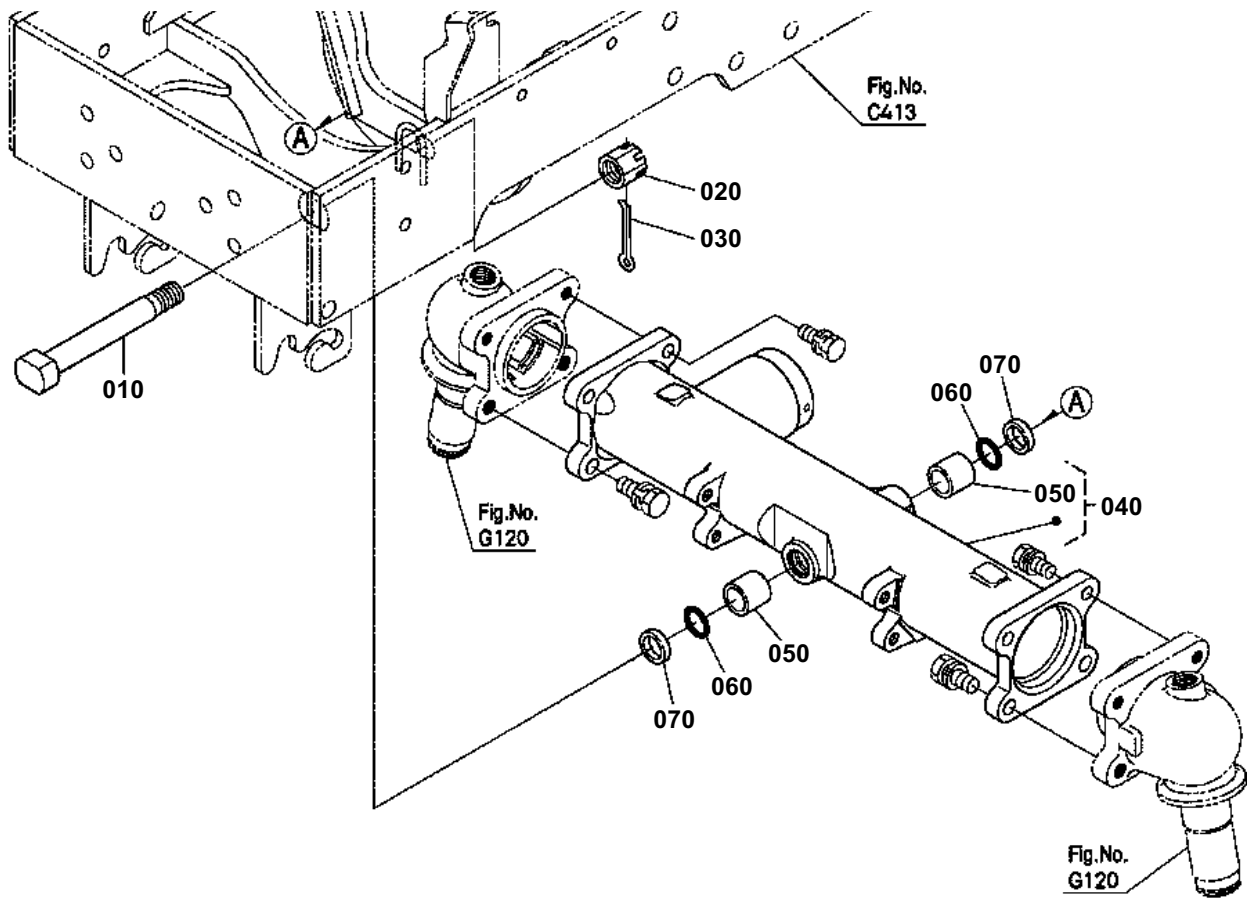


FRONT AXLE CASE



K2511-044-10