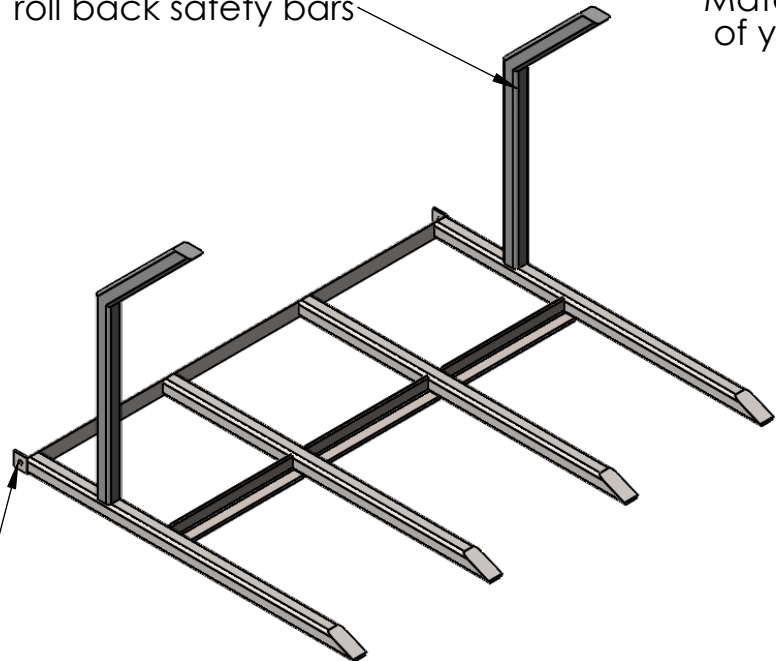
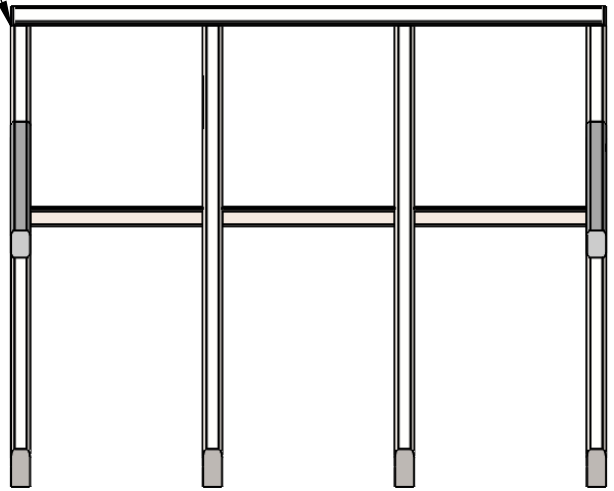
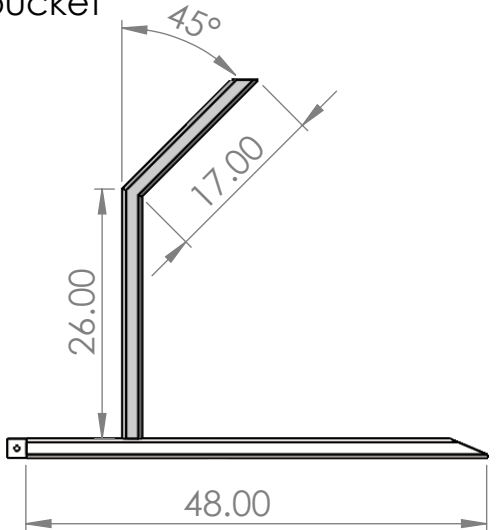


roll back safety bars

Match the inside measurements of your bucket



bolt through the side of the bucket



2 x 2 x 1/4" Square tube and 2 x 2 x 1/4" angle and 2 bolts with nuts