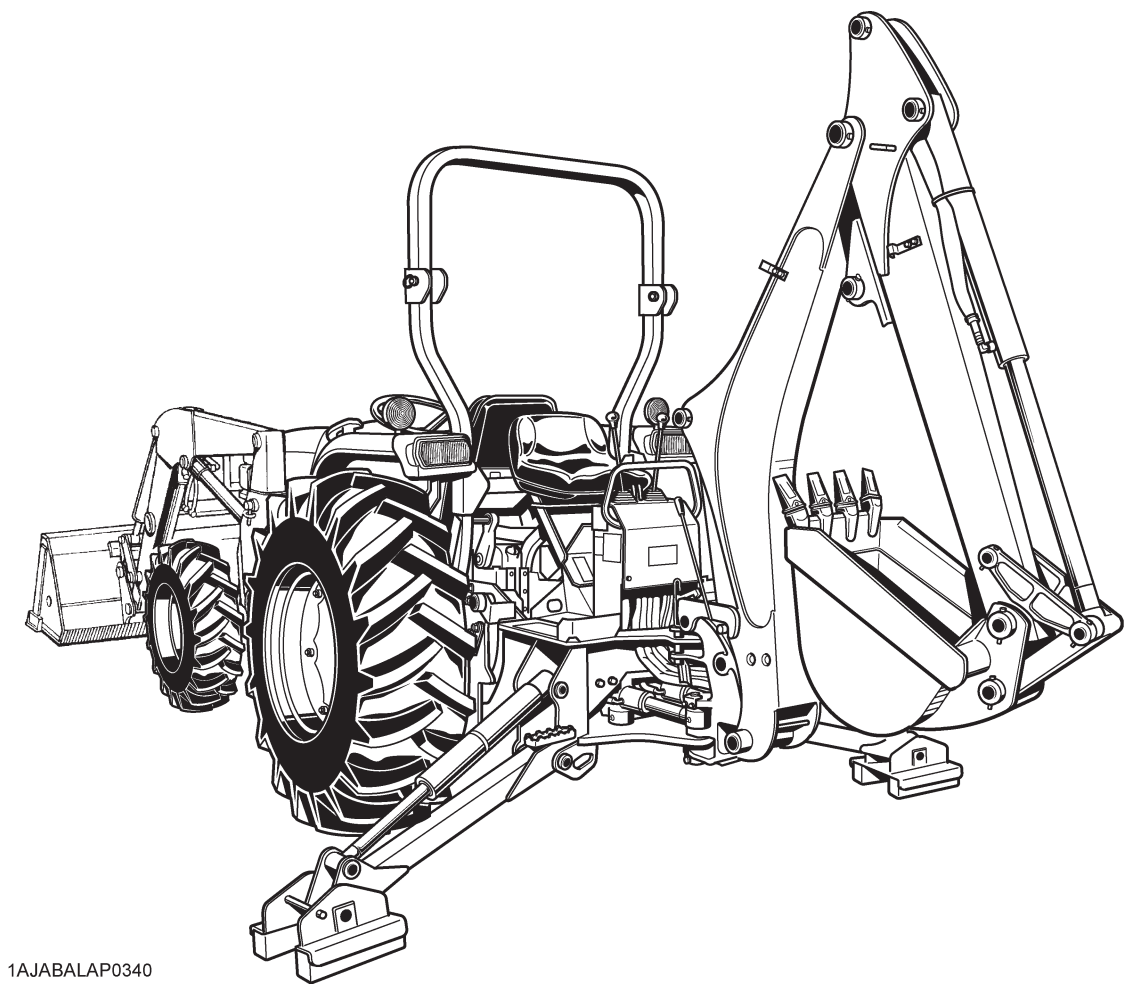


# ASSEMBLY INSTRUCTIONS

MODEL BH92



1AJABALAP0340

READ AND UNDERSTAND THIS MANUAL  
BEFORE ASSEMBLING

**Kubota**




# CONTENTS

TO THE DEALER.....	1
SAFETY .....	1
UNPACKING AND CHECKING PARTS .....	2
UNPACKING WOODEN CRATE.....	2
CHECKING PARTS.....	3
OPERATION .....	9
TRACTOR PREPARATION .....	10
ASSEMBLY [L3560, L4060, L4760, L5460, L6060 CAB Model].....	10
Preparation .....	10
Sub Frame.....	10
Hydraulic Line.....	13
CAB Spacer.....	17
ASSEMBLY [L3560, L4060, L4760, L5060, L5460, L6060 ROPS Model].....	18
Preparation .....	18
Sub Frame.....	18
Hydraulic Line.....	21
Tool box.....	25
ASSEMBLY [L3240-3 - L5740-3 CAB Model].....	26
Preparation .....	26
Hydraulic Line.....	26
Sub Frame.....	28
CAB Spacer.....	31
ASSEMBLY [L3240(-3) - L5740(-3) ROPS Model] .....	31
Preparation .....	31
Layout of BH92 Backhoe Hydraulic Lines .....	32
Hydraulic Line.....	32
Sub Frame.....	34
ASSEMBLY [L4400-1, L4600 , L4701, MX4700, MX4800, MX5100, MX5200, MX5400, MX5800, MX6000].....	38
Layout of BH92 Backhoe Hydraulic Lines .....	38
Preparation .....	38
Sub Frame.....	38
Hydraulic Line.....	43
SETTING UP DIPPERSTICK AND BUCKET .....	45
Dipperstick.....	45
Bucket.....	46
INSTALLING THE BACKHOE .....	47
REMOVING THE BACKHOE.....	49
Removal of The Backhoe .....	49
Storage of The Backhoe.....	51
PRE-OPERATION CHECK.....	52
Lubrication .....	52
Transmission Fluid.....	52
ASSEMBLY TIME .....	53
TIGHTENING TORQUE OF BOLTS AND NUTS .....	54
TIGHTENING TORQUE OF ADAPTORS, ELBOWS AND OTHERS.....	55
CHECK LIST FOR INSPECTION AFTER ASSEMBLY .....	56



## TO THE DEALER

- This manual contains procedures intended to assist the dealer in unpacking and assembling the product before delivering to the customer.  
The customer's purchase is based on confidence in both the product and your store. Observe the procedures in this manual to assemble and adjust equipment for your customer's safety and satisfaction. When fully assembled, check function of each part and feature.
- The following safety alert symbol marks and indications are found throughout this manual in steps where particular attention is required so as to ensure your safety and to avoid product damage. Observe the instructions in these warnings where indicated.

 <b>DANGER</b>	Indicates an imminently hazardous situation which, if not avoided, will result in death or serious injury.
 <b>WARNING</b>	Indicates a potentially hazardous situation which, if not avoided, could result in death or serious injury.
 <b>CAUTION</b>	Indicates a potentially hazardous situation which, if not avoided, could result in minor or moderate injury.
<b>IMPORTANT :</b>	Indicates that equipment or property damage could result if instructions are not followed.
<b>NOTE :</b>	Gives helpful information

## SAFETY

To prevent accidents, read through the following items before starting work, and always regard safety when working. It is your responsibility to ensure your safety on the job.

### 1. Preparations

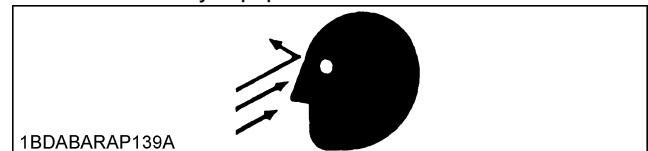
- Select a work site which is level, has sufficient space, and is not close to dangerous objects.
- Avoid poorly ventilated rooms. Asphyxiation from exhaust fumes is always a possibility that accompanies running engine.



- Working clothes which may be pinched or caught in the equipment must not be worn. Loose clothing can cause serious injury or death.

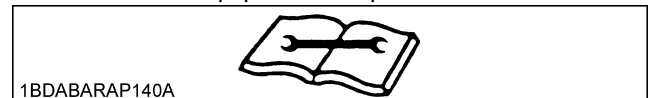


- Always wear a mask and protective goggles during work when dust or flying debris may be thrown by equipment.



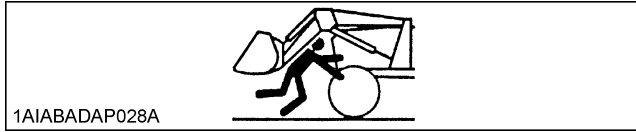
### 2. Assembly and adjustments

- Before assembling equipment, read the assembly instructions for the product to become familiar with the equipment and procedures.



- Use only adequate and required equipment, tools and instruments (e.g. torque wrench, battery hydrometer and etc.).
- Set the parking brake and block wheels to prevent machine (or tractor) movement.
- Lower the attachment or implement to the ground before assembling or adjusting equipment.

- (5) Before working under suspended or raised equipment, support the equipment or attachment to prevent the machine from falling or moving out of place.

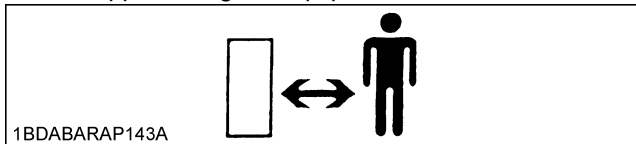


- (6) Keep fire from cigarettes, matches or other ignition sources away from fuel, oil, antifreeze and other flammable materials.



**3. After assembly check**

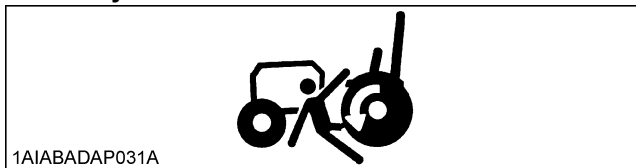
- (1) Before operating or test driving the equipment, read and understand the operator's manual.
- (2) Once the equipment is fully assembled, select a safe place for a test run. Prevent bystanders from approaching the equipment.



**DANGER**

To avoid personal injury or death:

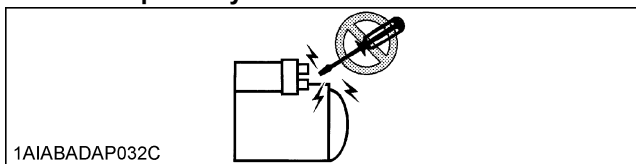
- Do not start engine or operate levers from anywhere other than the seat.



**DANGER**

To avoid personal injury:

- Do not bypass-start the equipment. Short circuiting the starter terminal runs the risk that the equipment will start operating or moving unexpectedly.



**■ [S] processes**

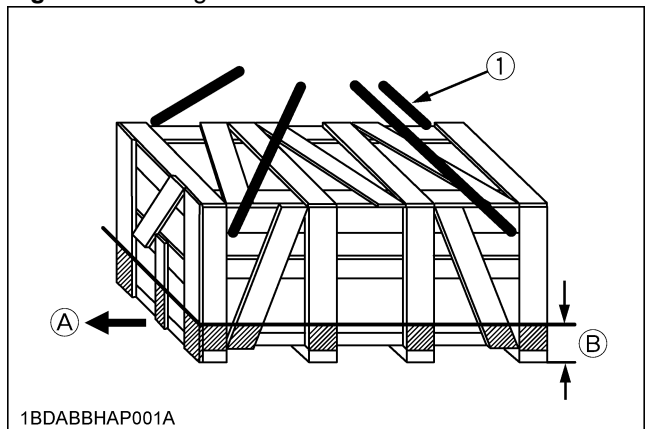
- [S] processes mean any process that requires priority control due to its characteristics of having a high probability of leading to physical injuries or fire disasters because of abnormal values and defects in manufacturing quality.
- The [S] marks in the text indicate the processes that include the following safety characteristics.
  - Any assembly process with important safety characteristic values that require control to ensure product safety.
  - Any assembly process with characteristic values having impact on the strength and performance of [S] parts.
  - Previous occurrence of accidents related to [S] process (including probability.)

**UNPACKING AND CHECKING PARTS**

**■ UNPACKING WOODEN CRATE**

- Cutting metal bands (if two are banded together). Metal bands hold the two crates together as one. Cut these bands and separate the crates.
  - Unpacking the crates
    - Hook a hoist to the 4 corners of the crate and raise the hoist cable until taut. This serves to prevent the upper part of the crate from striking the backhoe when cut.
    - Saw the crate as indicated in the figure below.
- IMPORTANT :**
- Sawing outside the indicated area may damage the backhoe or accessory parts.
  - Be sure that the crate is free of other obstructions (e.g. nails, staples and etc.).
- Raise the upper part of crate and remove from the immediate area.
  - Remove the remaining slats from the crate. These are indicated by the oblique lines in **Figure 1..... / / / / / /**

**Figure 1 : Cutting area of the crate**



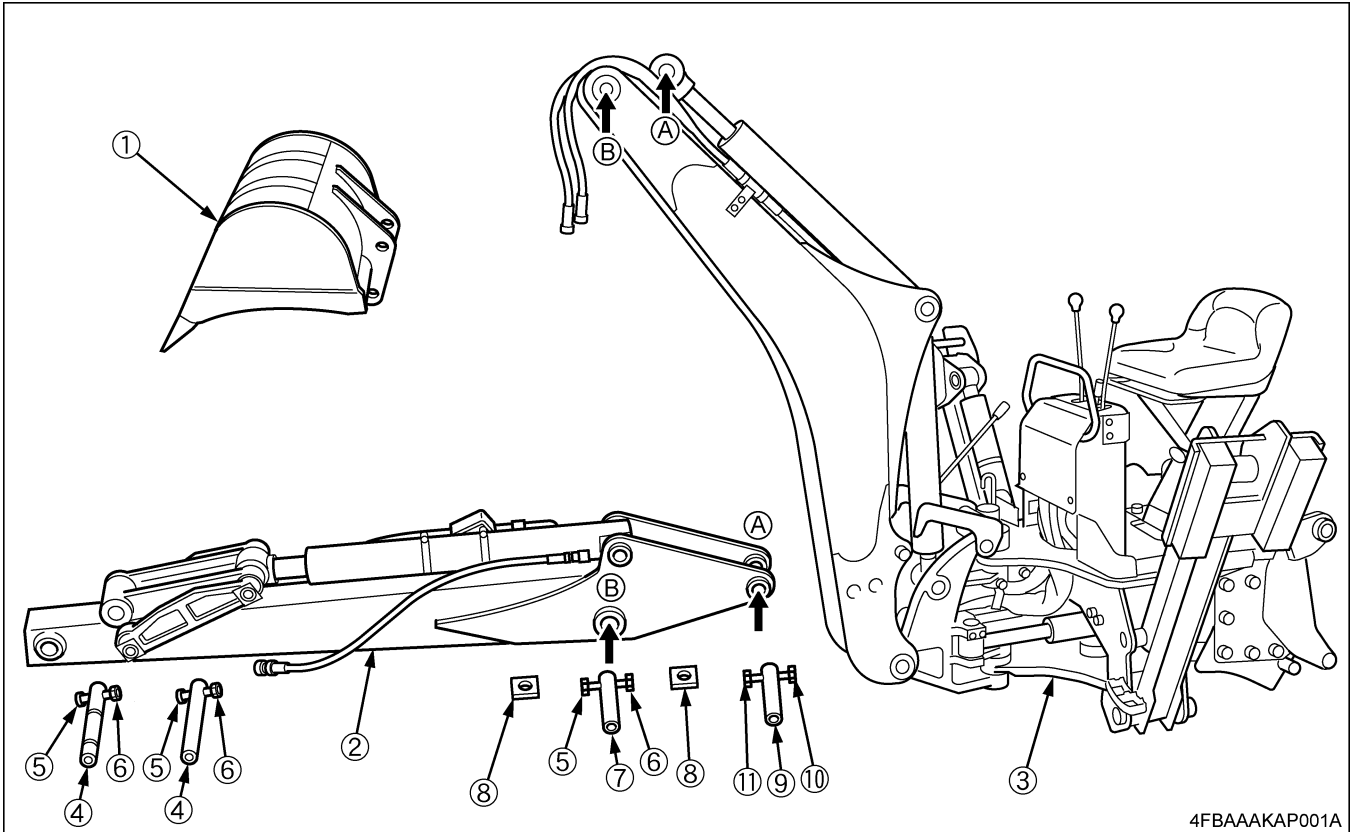
(1) Nylon strap

(A) Front

(B) 300 mm (12 in.)

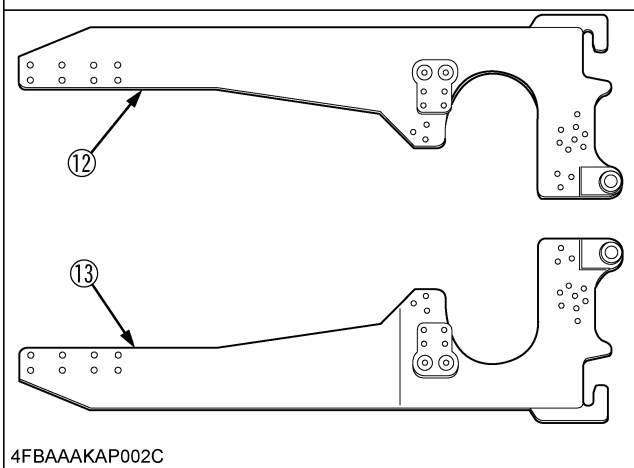
**■ CHECKING PARTS**

Remove all backhoe components. Referring to the illustration, insure that all components have been included.



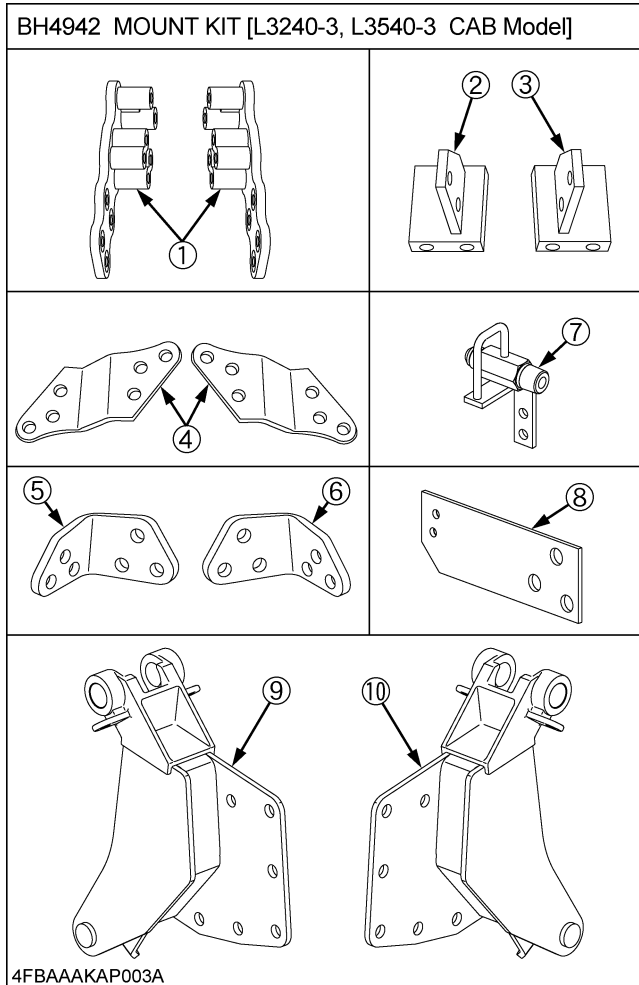
4FBAAKAP001A

BH4945 SUBFRAME KIT  
 [L3240-3, L3540-3, L3940-3, L4240-3, L4740-3, L5040-3,  
 L5240-3, L5740-3]

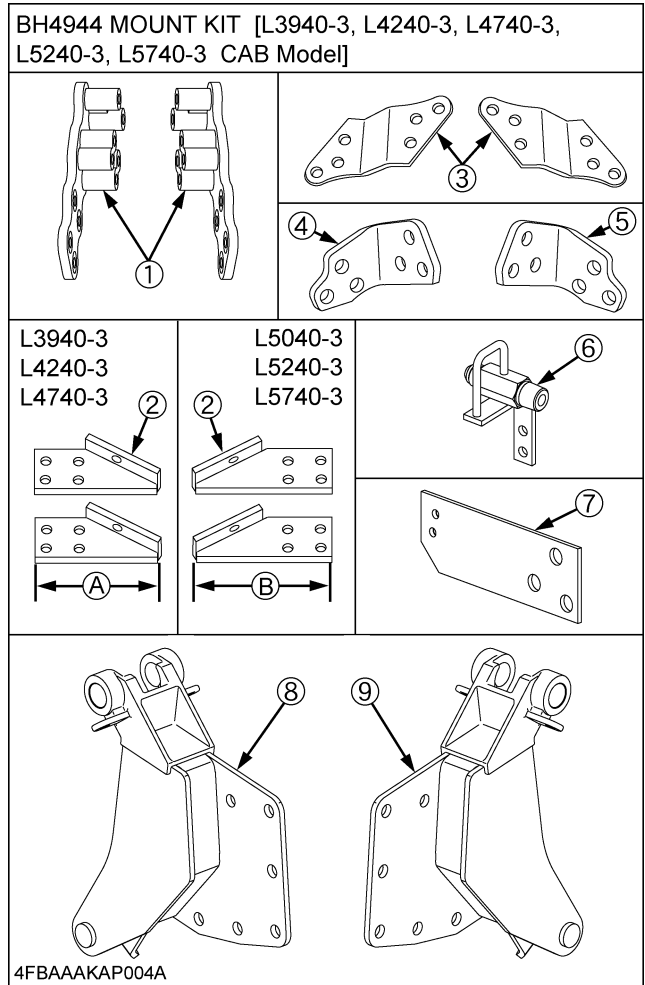


4FBAAKAP002C

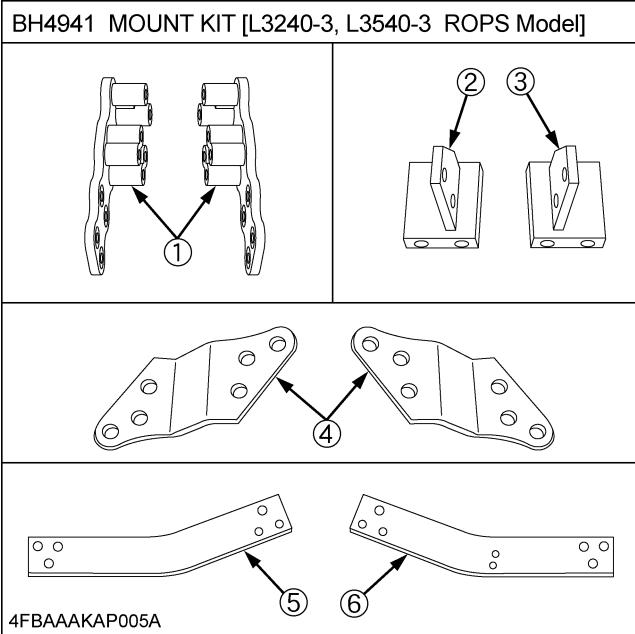
- (1) Backhoe bucket
- (2) Dipperstick (arm) assy
- (3) Main frame-Boom assy
- (4) Pin (1.25 in. x 8.82 in.)
- (5) Hex. bolt (M10 x 80)
- (6) Locking nut (M10)
- (7) Pin (1.5 in. x 10.2 in.)
- (8) Spacer
- (9) Pin (1.25 in. x 6.16 in.)
- (10) Hex. bolt (M10 x 65)
- (11) Locking nut (M10)
- (12) Sub frame RH
- (13) Sub frame LH



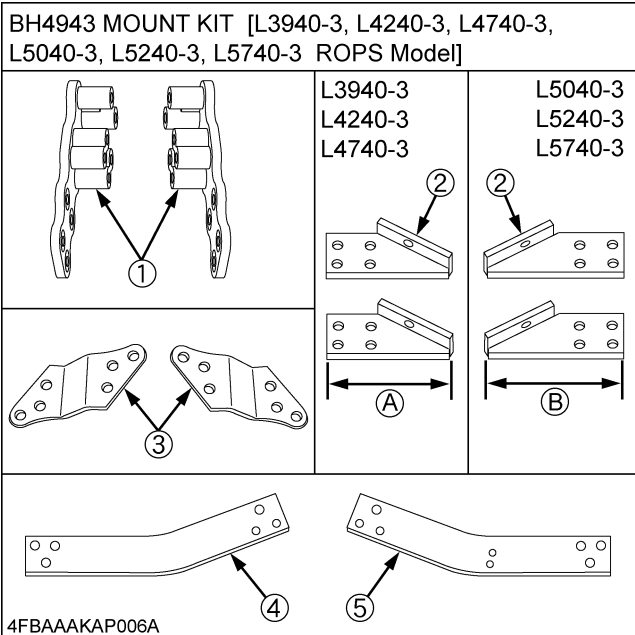
- (1) Front bracket
- (2) Rear bracket LH
- (3) Rear bracket RH
- (4) Frame support
- (5) Connecting plate LH
- (6) Connecting plate RH
- (7) Joint
- (8) Joint stay
- (9) Cab spacer LH
- (10) Cab spacer RH



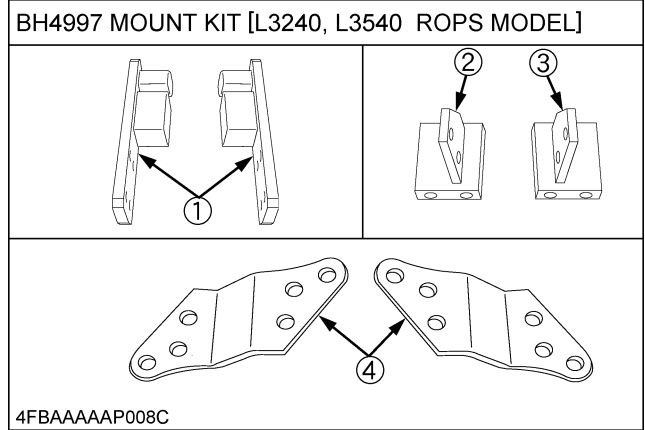
- (1) Front bracket
  - (2) Rear bracket
  - (3) Frame support
  - (4) Connecting plate LH
  - (5) Connecting plate RH
  - (6) Joint
  - (7) Joint stay
  - (8) Cab spacer LH
  - (9) Cab spacer RH
- (A) 224 mm (8.82 in.)  
(B) 242 mm (9.53 in.)



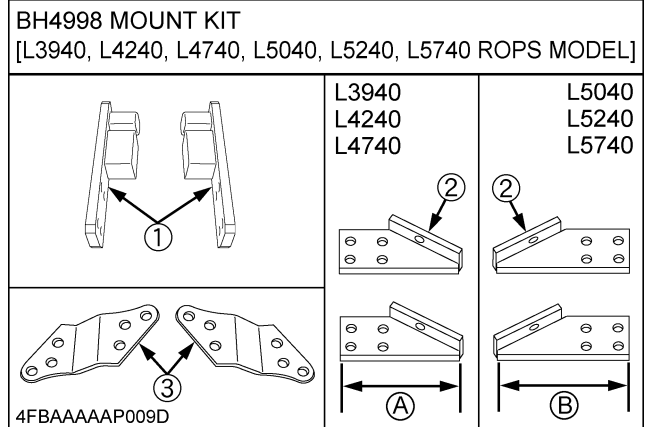
- (1) Front bracket
- (2) Rear bracket LH
- (3) Rear bracket RH
- (4) Frame support
- (5) Connecting plate LH
- (6) Connecting plate RH



- (1) Front bracket
  - (2) Rear bracket
  - (3) Frame support
  - (4) Connecting plate LH
  - (5) Connecting plate RH
- (A) 224 mm (8.82 in.)  
(B) 242 mm (9.53 in.)

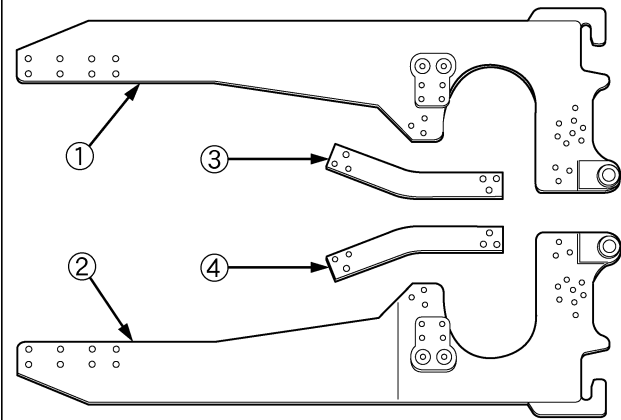


- (1) Front bracket
- (2) Rear bracket LH
- (3) Rear bracket RH
- (4) Frame support



- (1) Front bracket
  - (2) Rear bracket
  - (3) Frame support
- (A) 224 mm (8.82 in.)  
(B) 242 mm (9.53 in.)

BH4977 SUBFRAME KIT [L3240, L3540, L3940, L4240,  
L4740, L5040, L5240, L5740 ROPS MODEL]



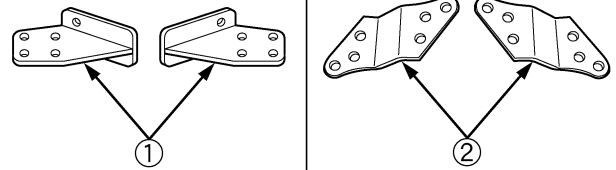
1AJABABAP023H

- (1) Sub frame RH
- (2) Sub frame LH
- (3) Connecting plate RH
- (4) Connecting plate LH

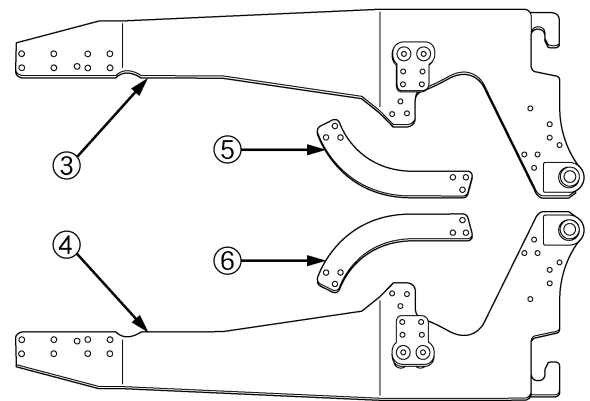
**NOTE :**

- For assembling, the optional outlet hose (Part No. 7K505-6492-0) is required.

BH4946 MOUNT KIT [L4600, L4701]

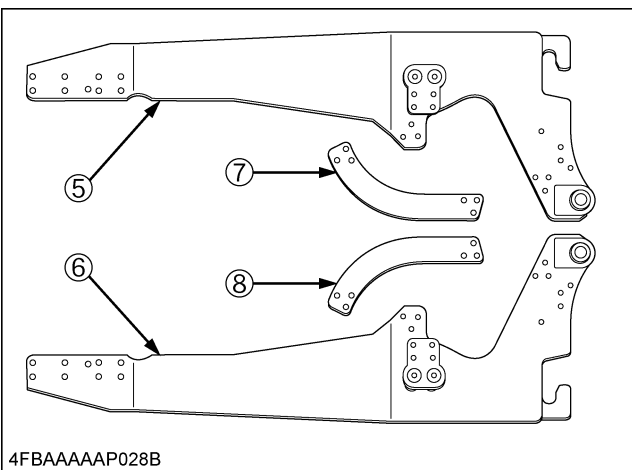
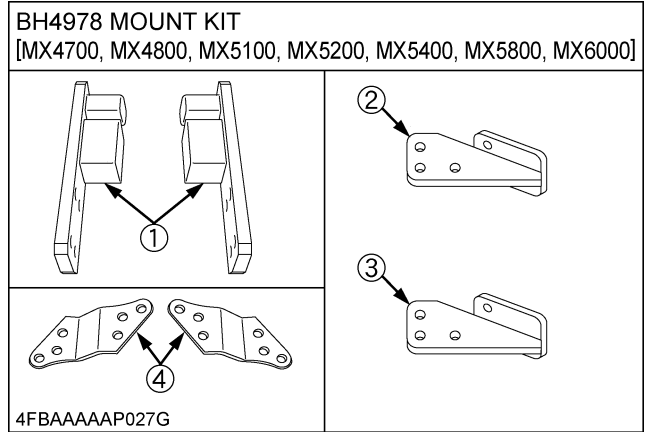
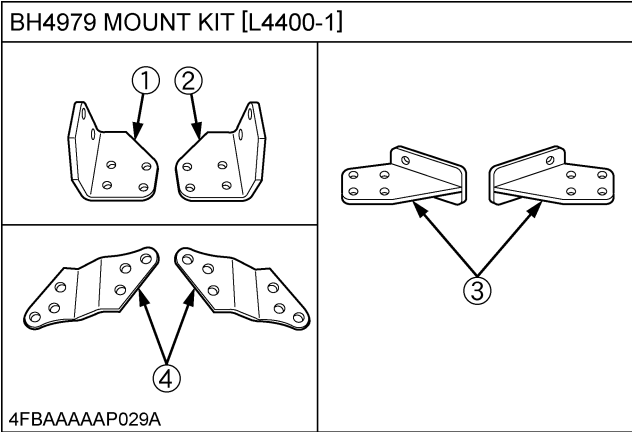


4FBAAAKAP038C

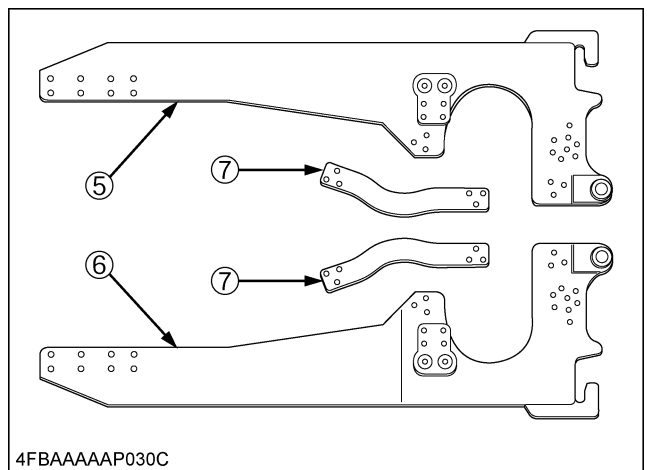


4FBAAAKAP047B

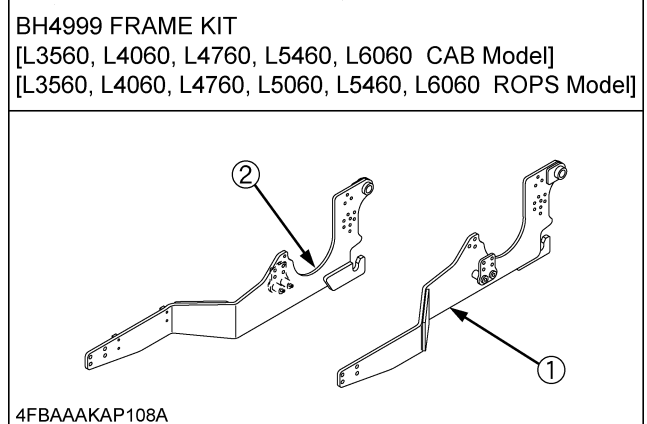
- (1) Rear bracket
- (2) Frame support
- (3) Sub bracket RH
- (4) Sub bracket LH
- (5) Connecting plate RH
- (6) Connecting plate LH
- (7) Tool box stay



- (1) Front bracket LH
- (2) Front bracket RH
- (3) Rear bracket
- (4) Frame support
- (5) Sub bracket RH
- (6) Sub bracket LH
- (7) Connecting plate RH
- (8) Connecting plate LH



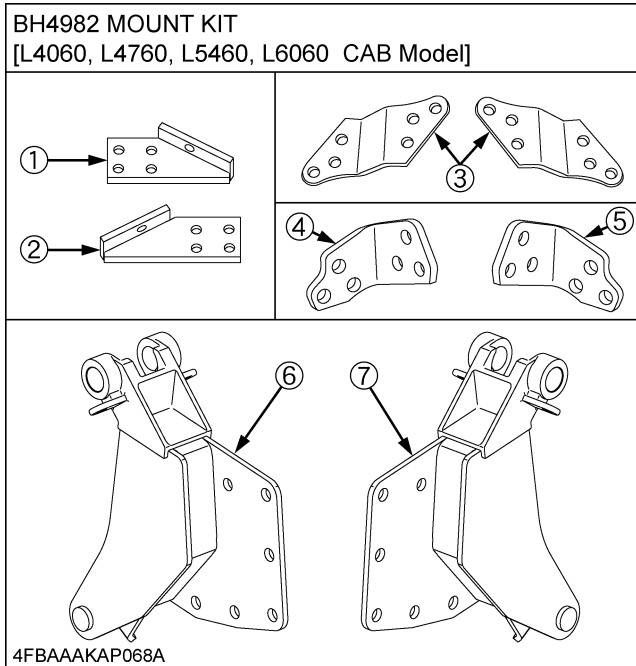
- (1) Front bracket
- (2) Rear bracket LH
- (3) Rear bracket RH
- (4) Frame support
- (5) Sub frame RH
- (6) Sub frame LH
- (7) Connecting plate



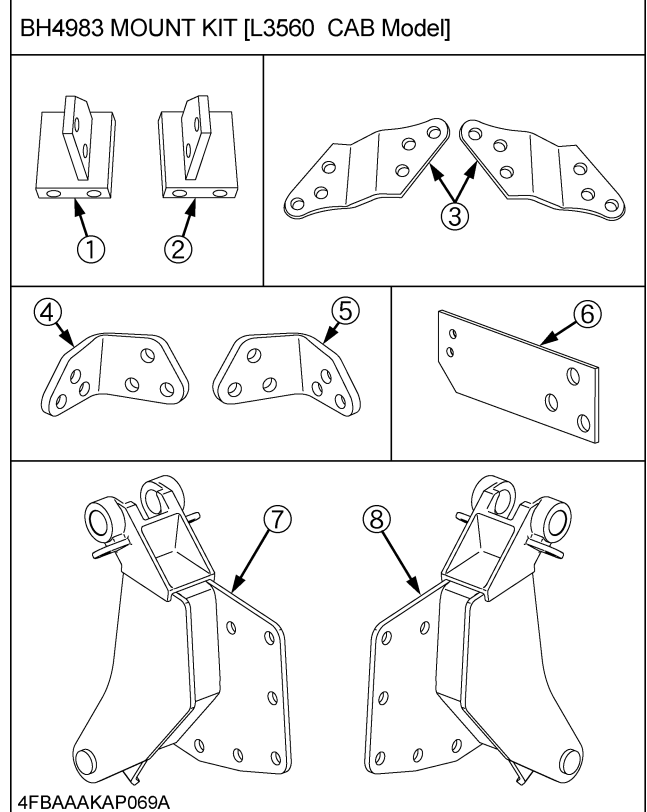
- (1) Sub frame LH
- (2) Sub frame RH

**NOTE :**

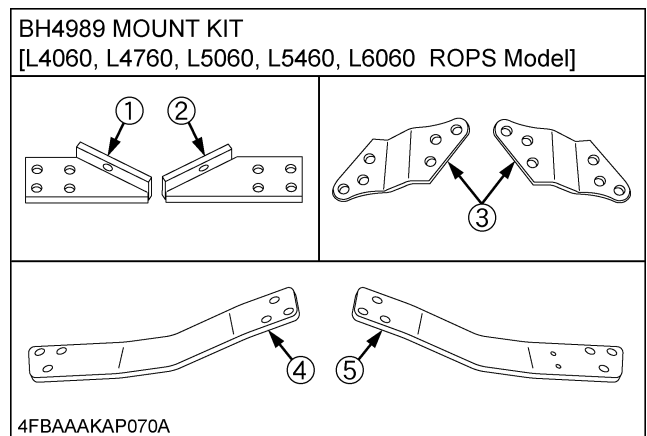
- The BH4999 frame kit is commonly utilized for all the related models.



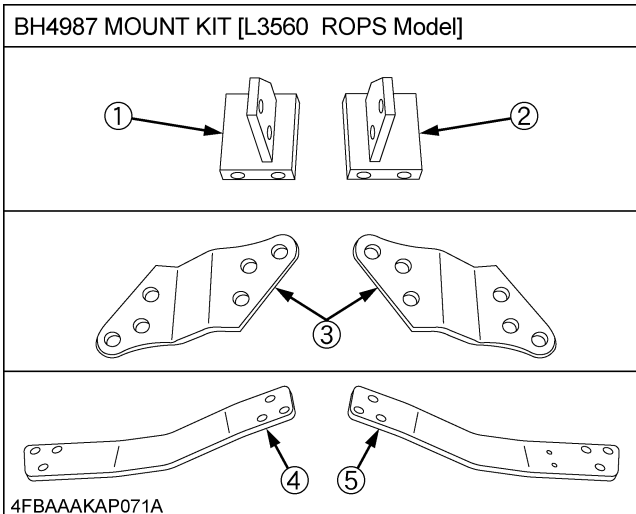
- (1) Rear bracket LH
- (2) Rear bracket RH
- (3) Frame support
- (4) Connecting plate LH
- (5) Connecting plate RH
- (6) Cab spacer LH
- (7) Cab spacer RH



- (1) Rear bracket LH
- (2) Rear bracket RH
- (3) Frame support
- (4) Connecting plate LH
- (5) Connecting plate RH
- (6) Joint stay
- (7) Cab spacer LH
- (8) Cab spacer RH



- (1) Rear bracket LH
- (2) Rear bracket RH
- (3) Frame support
- (4) Connecting plate LH
- (5) Connecting plate RH



(1) Rear Bracket LH  
 (2) Rear Bracket RH  
 (3) Frame Support

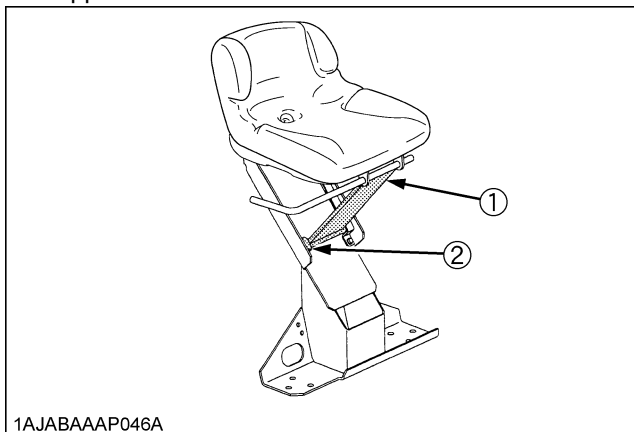
(4) Connecting plate LH  
 (5) Connecting plate RH

## OPERATION

- BH92 backhoe is approved for use on:
  - L3240-3, L3540-3, L3940-3, L4240-3, L4740-3, L5040-3, L5240-3 and L5740-3 tractors with foldable ROPS or CAB, LA514, LA724 or LA854 Loader and applicable backhoe mount Kit only.
  - L3240, L3540, L3940, L4240, L4740, L5040, L5240 and L5740 tractors with foldable ROPS, LA514, LA724 or LA854 Loader and applicable backhoe mount Kit only.
  - L4600 and L4701 tractors with foldable ROPS, LA764 or LA765 Loader and applicable backhoe mount kit only.
  - L4400-1 tractors with foldable ROPS, LA703 Loader and applicable backhoe mount kit only.
  - MX4700, MX4800, MX5100, MX5200, MX5400, MX5800 and MX6000 tractors with foldable ROPS, LA844 or LA1065 Loader and applicable backhoe mount kit only.
  - L3560, L4060, L4760, L5060, L5460 and L6060 tractors with foldable ROPS or CAB, LA805 or LA1055 Loader and applicable backhoe mount kit only.
- The BH92 backhoe can not be mounted on a tractor together with mid mount mower.
- When using other implements with backhoe removed, mount the 3-point linkage to the tractor.
- Removal and reinstallation of backhoe sub frame should be performed by your KUBOTA dealer.
- Save the loader sub frame and the 3-point linkage components which are removed.

### ◆ Operating seat support link

- Tilt the seat down at the front to provide foot space, and watch your step when getting on or off.
- Before sitting down, make sure the support link is resting on the lock plate and the seat is stable.
- To avoid pinching a hand, keep them away from seat support link.



(1) Support link  
 (2) Lock plate

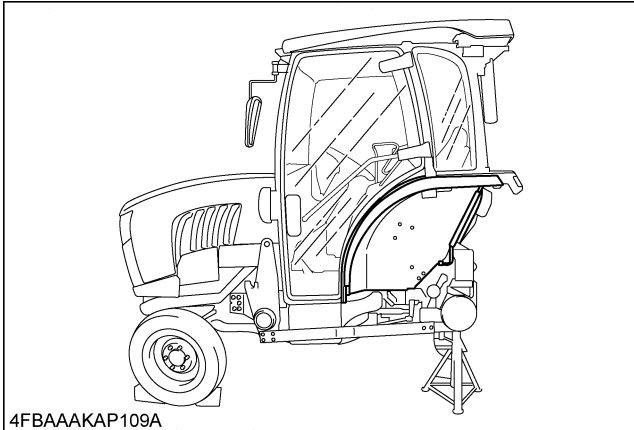
## TRACTOR PREPARATION

1. Park the tractor on a hard and level surface.
2. Remove the 3-point linkage from the tractor.

## ASSEMBLY [L3560, L4060, L4760, L5460, L6060 CAB Model]

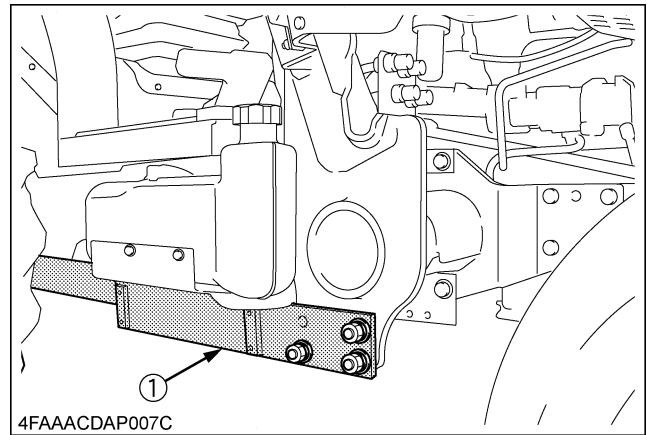
### ■ Preparation

1. Detach the rear tire from the tractor.



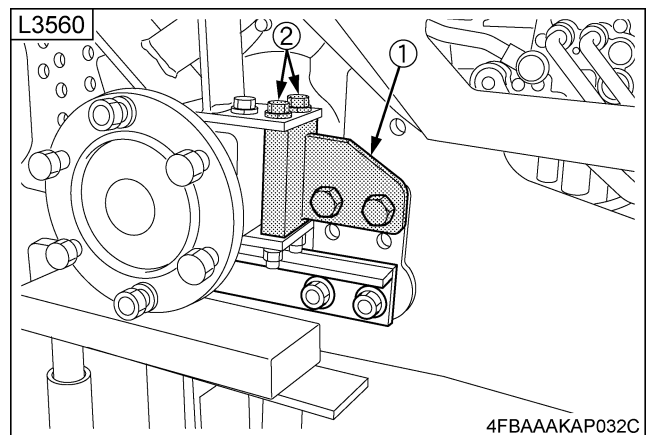
### ■ Sub Frame

1. Detach the front loader sub frame.



(1) Sub frame

2. Detach the collar and attach the rear bracket in place.



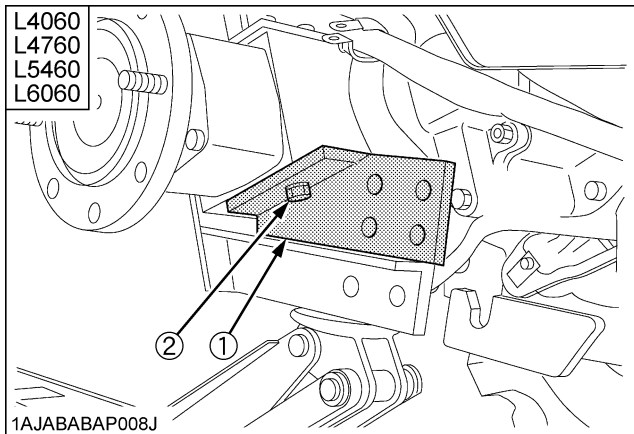
(1) Rear bracket

- (2) 2 - M14 x 148 bolts [Original bolts]  
2 - M14 spring lock washers

Tightening torque: 167 to 196 N·m

(17.0 to 20.0 kgf·m, 123 to 144 lbf·ft)

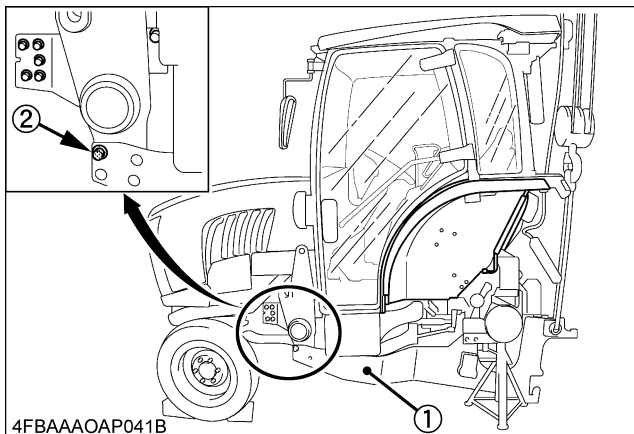
3. Attach the rear bracket in place.



- (1) Rear bracket  
 (2) 2 - M14 x 30 bolts  
 2 - M14 spring lock washers

Tightening torque: 124 to 147 N·m  
 (12.6 to 15.0 kgf·m, 91.5 to 108.4 lbf·ft)

4. Tighten a bolt only one of the front of a sub frame and lift the back end of the sub frame using a hoist.

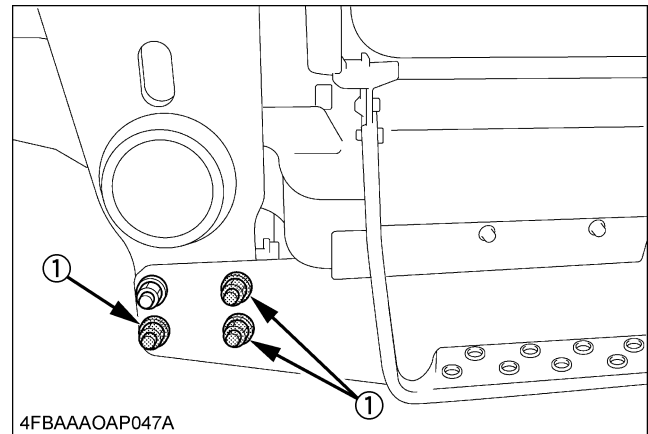


- (1) Sub frame  
 (2) 1 - M16 x 60 bolt  
 1 - 5/8 hardened plain washer  
 1 - M16 spring lock washer  
 1 - M16 nut

**IMPORTANT :**

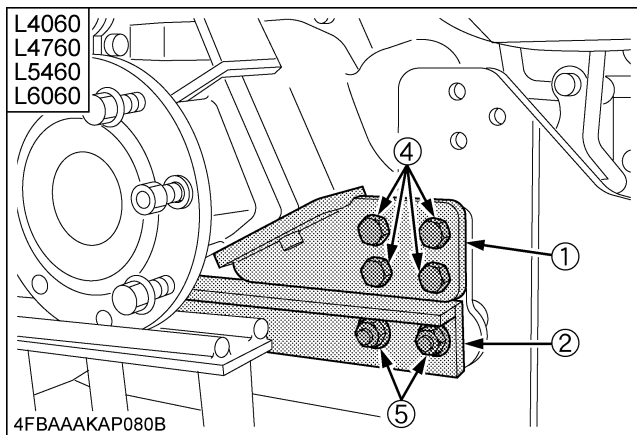
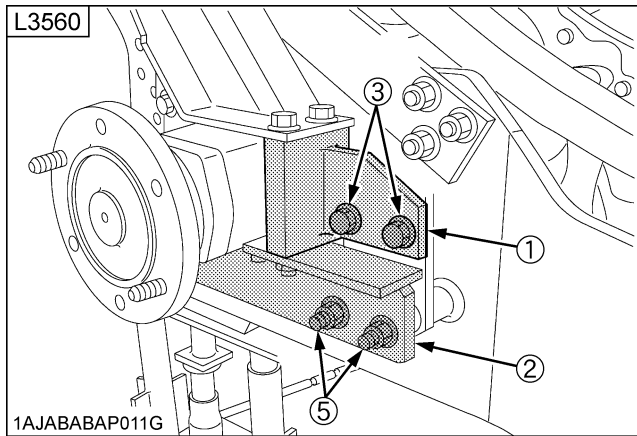
- Be sure to apply a nylon strap to the back end of the sub frame for hoisting it.
- If the rear of the sub frame is raised too much with a crane, it will hit the fuel tank. Take much care not to hit it when raising the rear of the sub frame.

5. Temporarily tighten the bolts and nuts in place.



- (1) 3 - M16 x 60 bolts  
 3 - 5/8 hardened plain washers  
 3 - M16 spring lock washers  
 3 - M16 nuts

Tightening torque: 196 to 225 N·m  
 (20.0 to 23.0 kgf·m, 145 to 166 lbf·ft)

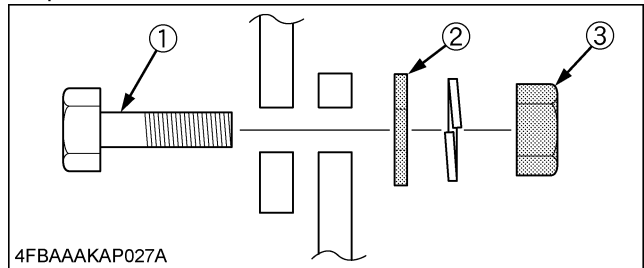


- (1) Rear bracket  
 (2) Frame  
 (3) 2 - M16 x 50 bolts  
 2 - 5/8 hardened plain washers  
 2 - M16 spring lock washers  
 2 - M16 nuts  
 (4) 4 - M16 x 50 bolts  
 4 - 5/8 hardened plain washers  
 4 - M16 spring lock washers  
 4 - M16 nuts  
 (5) 2 - M16 x 140 bolts  
 2 - 5/8 hardened plain washers  
 2 - M16 spring lock washers  
 2 - M16 nuts

Tightening torque: 196 to 225 N·m  
 (20.0 to 23.0 kgf·m, 145 to 166 lbf·ft)

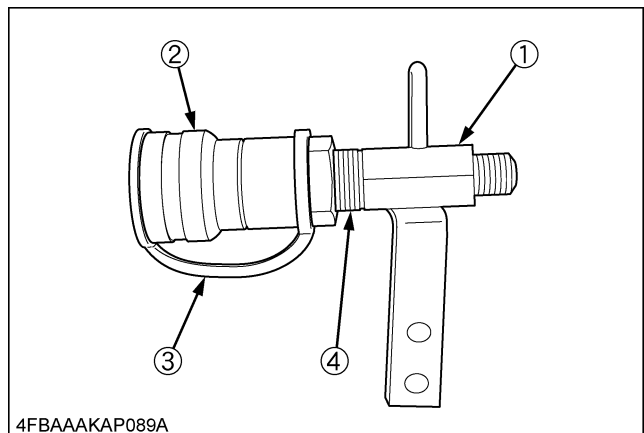
#### IMPORTANT :

- If the number of bolts and that of hardened plain washers are the same, additionally put the hardened plain washers at the nut.



- (1) Bolt  
 (2) Hardened plain washer  
 (3) Nut

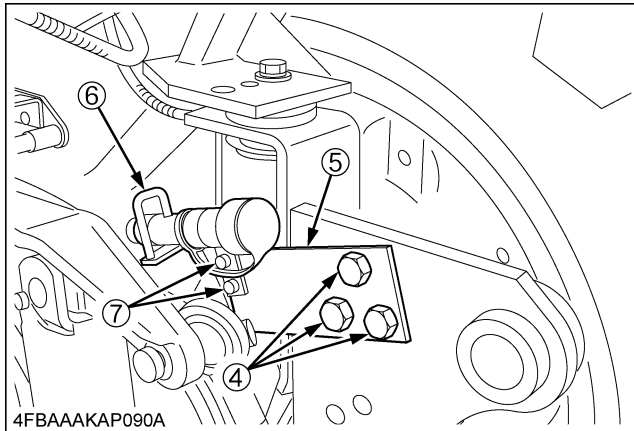
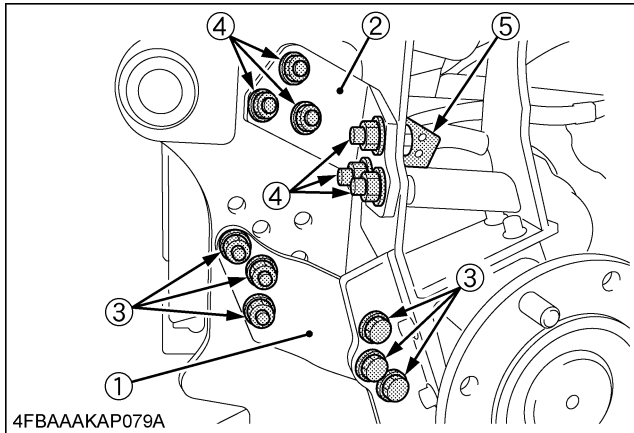
6. Wind the sealing tape around the joint coupler.  
 Attach the female coupler and plug to joint coupler.



- (1) Joint coupler  
 Thread size: 1/2 - 14 NPT  
 Tightening torque: 49 to 58 N·m  
 (5.0 to 5.9 kgf·m, 36 to 43 lbf·ft)  
 (2) Female coupler  
 (3) Plug  
 (4) Sealing tape

7. Attach the frame support, connecting plate and joint stay.

Attach the joint coupler to joint stay.



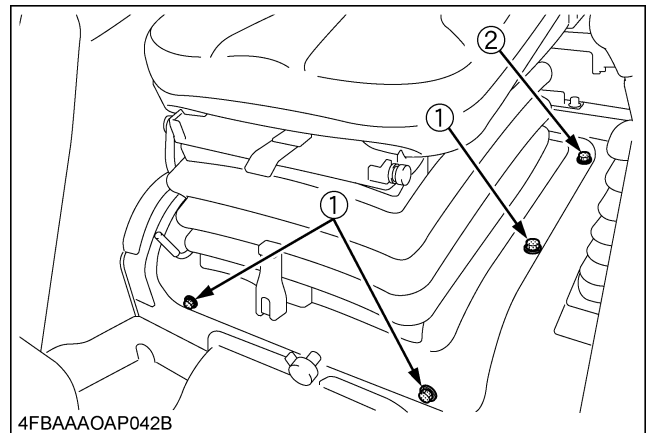
- (1) Frame support  
 (2) Connecting plate  
 (3) 6 - M16 x 50 bolts  
 6 - 5/8 hardened plain washers  
 6 - M16 spring lock washers  
 6 - M16 nuts  
 (4) [Left side]  
 6 - M16 x 50 bolts  
 6 - 5/8 hardened plain washers  
 6 - M16 spring lock washers  
 6 - M16 nuts  
 [Right side]  
 3 - M16 x 55 bolts (Joint stay)  
 3 - M16 x 50 bolts  
 6 - 5/8 hardened plain washers  
 6 - M16 spring lock washers  
 6 - M16 nuts  
 (5) Joint stay [RH only]  
 Tightening torque: 196 to 225 N·m  
 (20.0 to 23.0 kgf·m, 145 to 166 lbf·ft)  
 (6) Joint coupler  
 (7) 2 - M8 X 20 bolts

**IMPORTANT :**

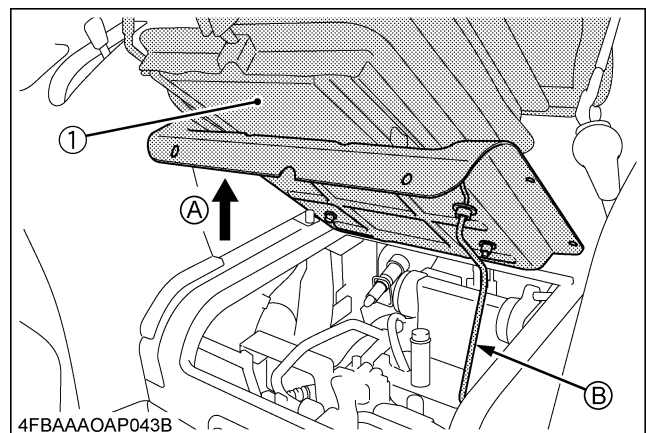
- Do not tighten fasteners until all components are assembled.
- Finally tighten the fasteners to the specified torque.

**Hydraulic Line**

1. Remove each bolt and raise the operating seat. And then lock the seat.

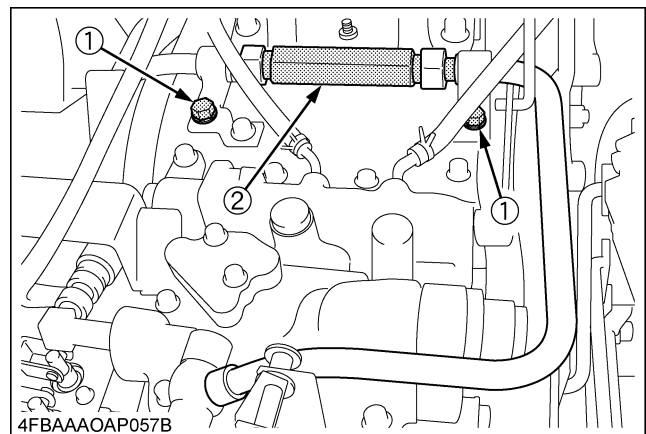


- (1) 4 - M8 bolts  
 (2) 2 - M8 nuts



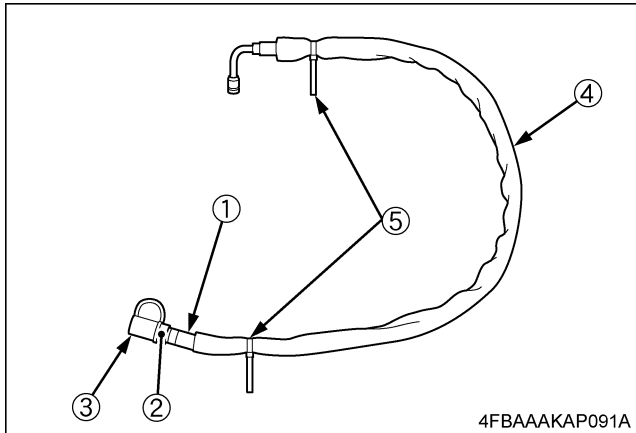
- (1) Operating seat  
 (A) Raise  
 (B) Lock the seat

2. Remove the bolt and tube.



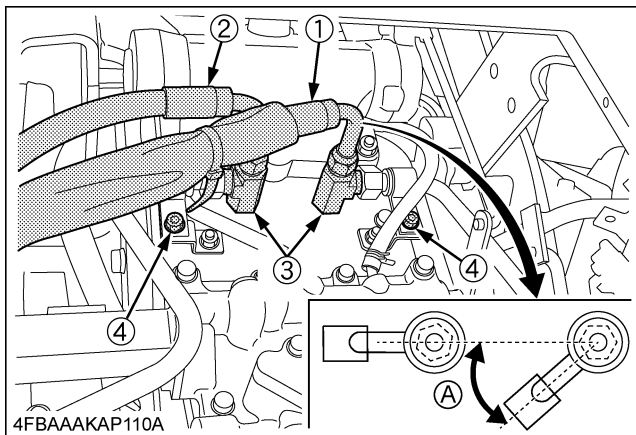
- (1) 2 - M8 bolts  
 (2) Tube

3. Wind the sealing tape around the backhoe outlet hose. Attach sleeve by band cord, male coupler and cap to the outlet hose.



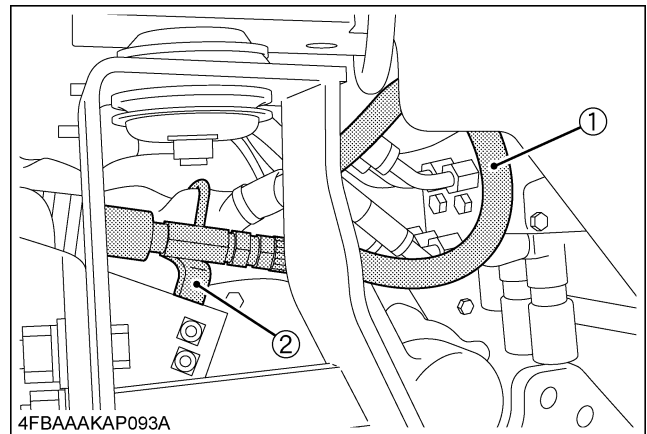
- (1) Backhoe outlet hose (Green)
- (2) Male coupler  
Thread size: 1/2 - 14 NPT  
Tightening torque: 49 to 58 N·m  
(5.0 to 5.9 kgf·m, 36 to 43 lbf·ft)
- (3) Cap
- (4) Sleeve
- (5) Band cord

4. Connect the joints as shown below and connect the backhoe inlet hose and backhoe outlet hose. Then tighten the bolts using torque.



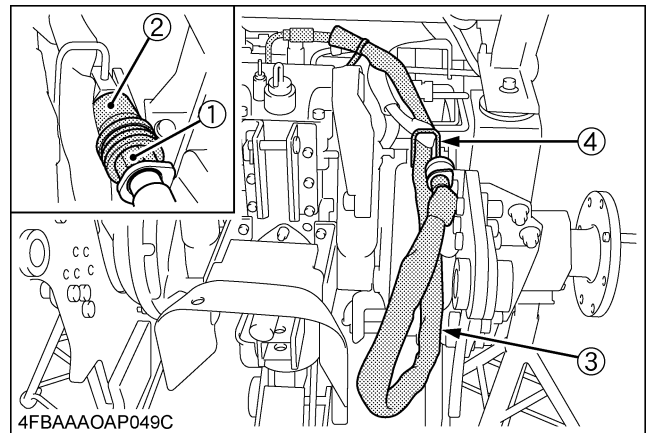
- (1) Backhoe outlet hose
- (2) Backhoe inlet hose  
Thread size: 3/4 - 16 UNF  
Tightening torque: 36 to 40 N·m  
(3.7 to 4.1 kgf·m, 27 to 30 lbf·ft)
- (3) Joint  
Tightening torque: 90 to 108 N·m  
(9.2 to 11.0 kgf·m, 67 to 79 lbf·ft)
- (4) 2-M8 bolts  
Tightening torque: 23.6 to 27.4 N·m  
(2.4 to 2.8 kgf·m, 17.4 to 20.2 lbf·ft)

5. Connect the backhoe inlet hose to the coupler joint.

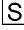


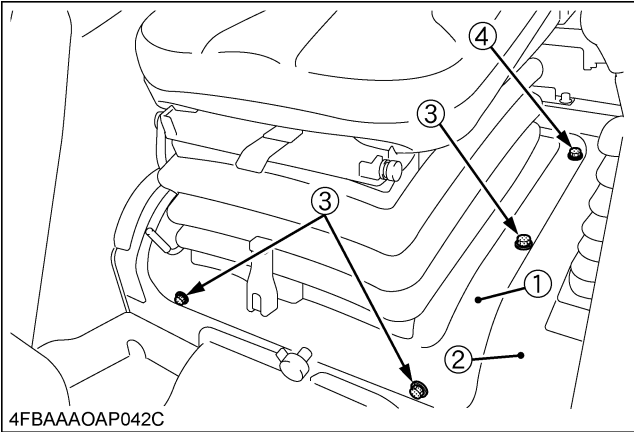
- (1) Backhoe inlet hose  
Thread size: 3/4 - 16 UNF  
Tightening torque: 36 to 40 N·m  
(3.7 to 4.1 kgf·m, 27 to 30 lbf·ft)
- (2) Coupler joint

6. Lower the operating seat and tighten each bolt.
7. Connect the male coupler to the female coupler. Pass the outlet hose through the coupler joint hose guide.



- (1) Male coupler
- (2) Female coupler
- (3) Outlet hose (Green)
- (4) Coupler joint

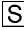
8.  Attach the operating seat to the floor seat cover.  
Tighten the bolts and nuts by correct tightening torque.

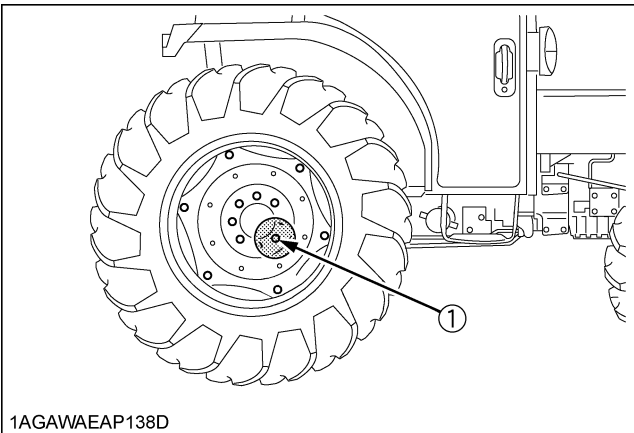


- (1) Operating seat
- (2) Floor seat cover
- (3) 4 - M8 bolts
- (4) 2 - M8 nuts

Tightening torque: 23.6 to 27.4 N·m  
(2.4 to 2.8 kgf·m, 17.4 to 20.2 lbf·ft)

◆ Rear wheels

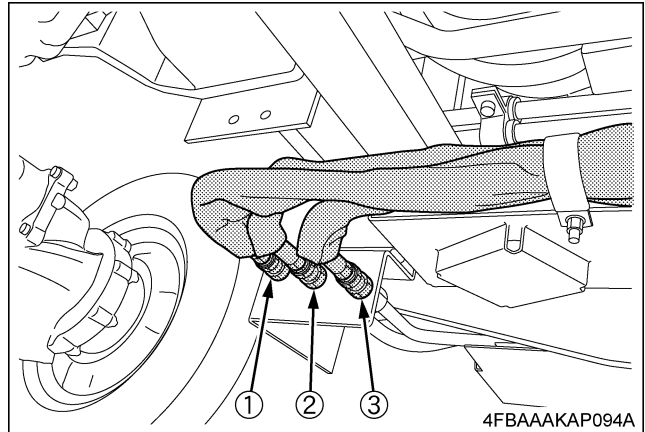
1.  Install the right and left rear wheels to the tractor with the bolts and nuts. Tighten the bolts and nuts by the correct tightening torque.



(1) Tightening torque: 215 N·m  
(21.9 kgf·m, 158.6 lbf·ft)

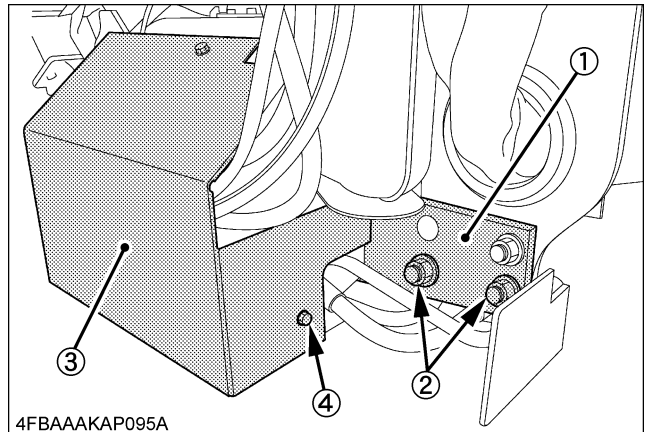
- ◆ Loader option  
(When the machine is equipped with the 3rd function or the hydraulic 2 lever quick coupler)

1. Disconnect the loader option's hoses.



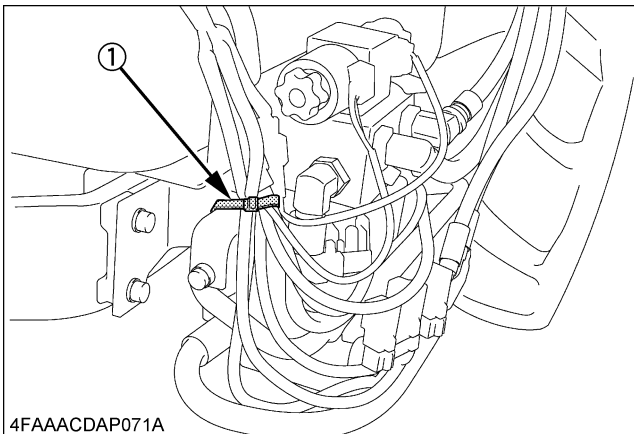
- (1) Hose (P.B) (Green)
- (2) Hose (OUT) (Gray)
- (3) Hose (IN) (Orange)

2. Remove the sub frame bolts first and then the optional valve cover.

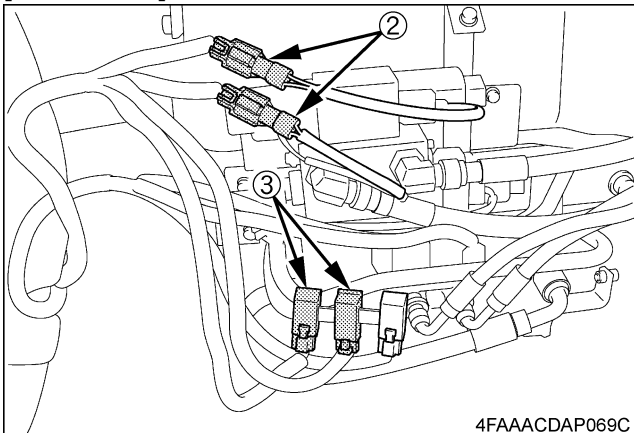


- (1) Sub frame
- (2) 2 - M16 nuts
- (3) Valve cover
- (4) 3 - M8 bolts

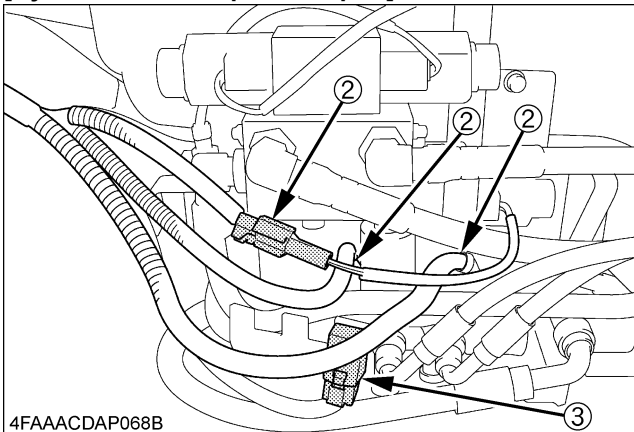
3. Disconnect the coupler, the relay and the band cord.



**[3rd function]**

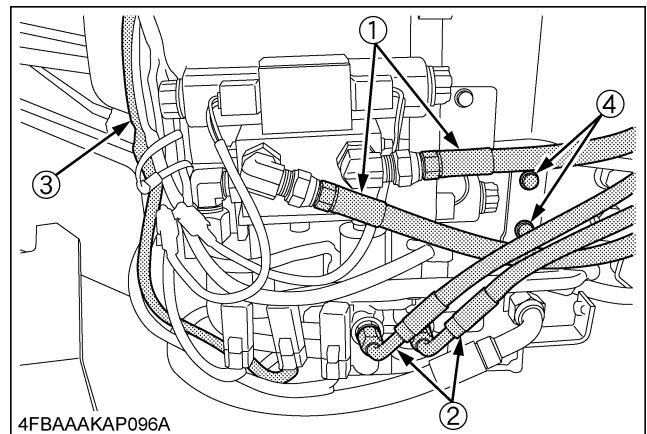


**[Hydraulic 2 lever quick coupler]**



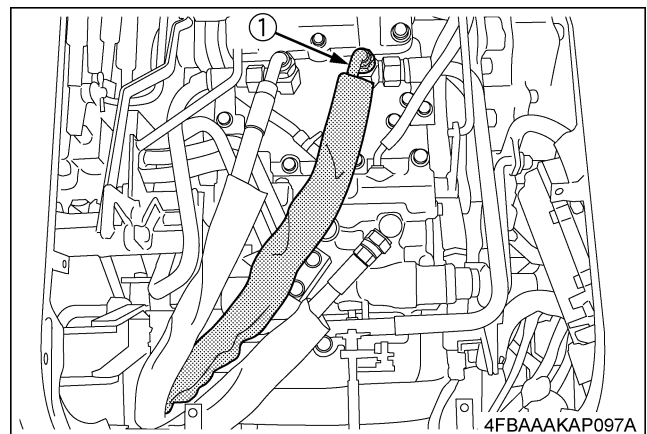
- (1) Band cord  
(2) Coupler  
(3) Relay

4. Disconnect the 3rd function hose and the hydraulic 2 lever quick coupler hose.  
Remove the bolts and take the valve out of the sub frame.



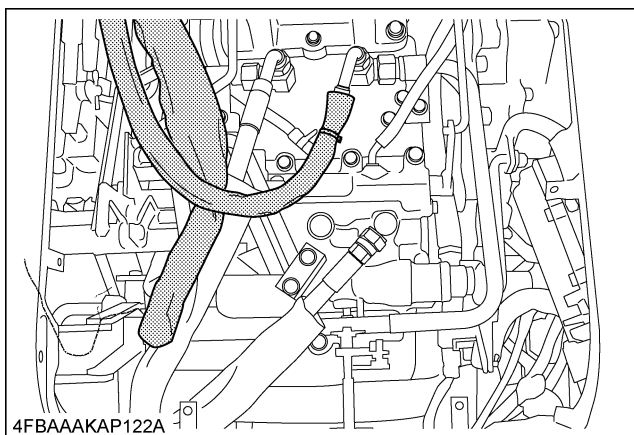
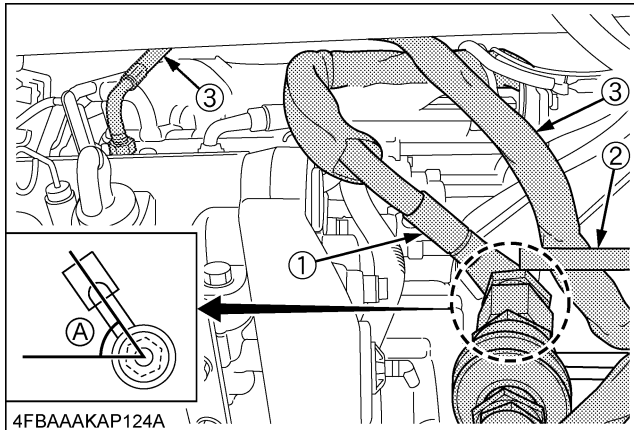
- (1) 3rd Function Hose  
(2) HYD. 2 lever quick coupler Hose  
(3) Wire harness  
(4) 4 - M10 bolts

5. Dismount the loader sub frame.  
6. Mount the backhoe sub frame instead.  
(For details, see "Sub Frame" in "ASSEMBLY [L3560, L4060, L4760, L5460, L6060 CAB Model]" section.)  
7. Disconnect the inlet hose (Green) from the tractor P.B. port.



- (1) Inlet hose (Green)

8. Connect the inlet hose that was dismantled in the previous step to the coupler joint and angle to  $55^\circ$  to avoid contact with the rear lift arms as shown in picture.
9. Pass the backhoe outlet hose through the coupler joint hose guide and connect this hose to the tractor P.B. port.

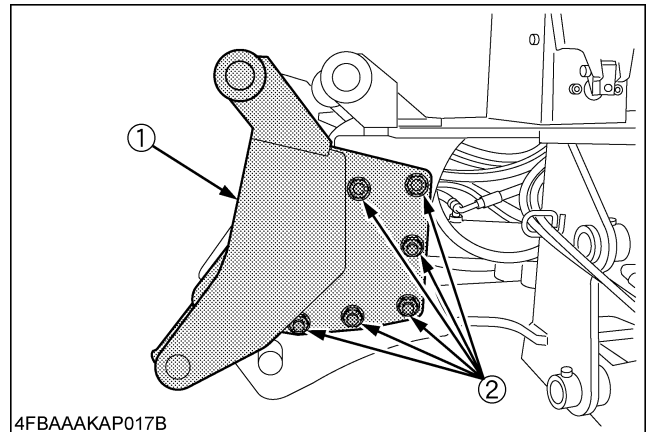


- (1) Inlet hose  
 (2) Coupler joint  
 (3) Backhoe outlet hose  
 Thread size: 3/4 - 16 UNF  
 Tightening torque: 36 to 40 N·m  
 (3.7 to 4.1 kgf·m, 27 to 30 lbf·ft)
- (A)  $55^\circ$

10. Reattach the related parts in the reverse order of dismantling the loader option.  
 (For details, refer to LA555, LA805, LA1055 ASSEMBLY INSTRUCTIONS.)
11. Ensure all hydraulic hose connection points torqued before starting the tractor.

## ■ CAB Spacer

1. Attach the cab spacer.



- (1) Cab spacer  
 (2) 6 - M20 x 55 bolts  
 12- 3/4 hardened plain washers  
 6 - M20 spring lock washers  
 6 - M20 nuts  
 Tightening torque: 368 to 431 N·m  
 (37.6 to 44.0 kgf·m, 272 to 318 lbf·ft)