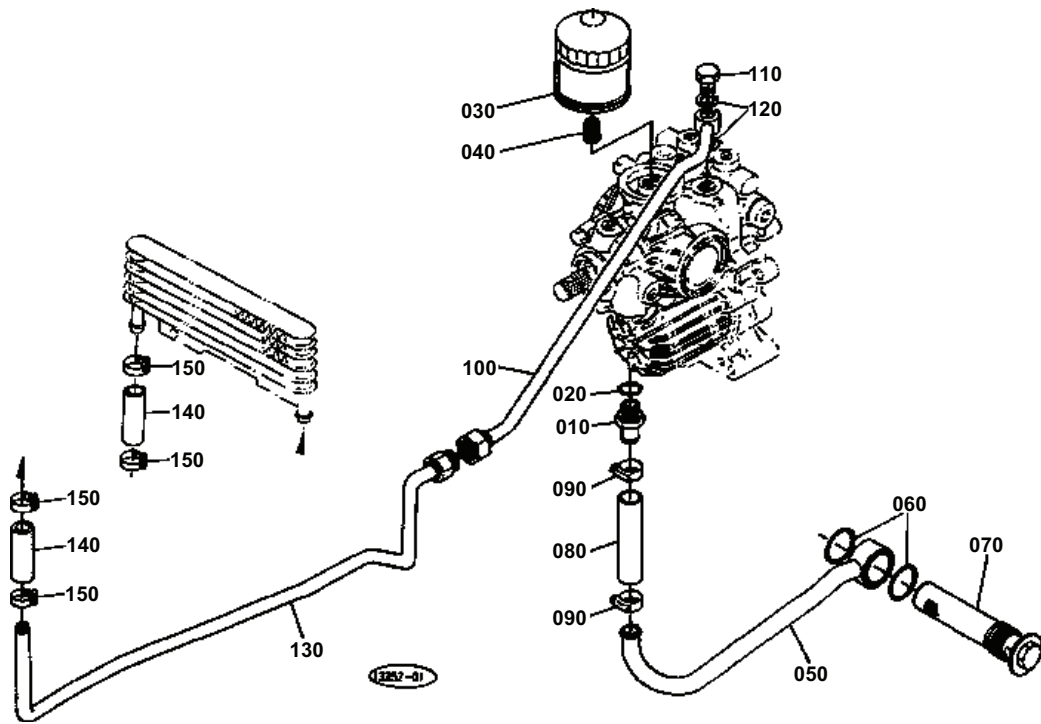




HYDRAULIC PIPE 1 TRACTOR S.No.:B7100HST-D >=60164 B7100HST-E >=20025

↔ Interchangeable; ≠ not interchangeable; ← new for old; → old for new

REF.No	Part No.	Description	Q'ty	S.No.	I/C	REMARKS	Weight (kgf)	Weight (lb)
010	66204-36110	PIPE SUCTION FRONT	1				0.6	1.32
020	04811-00220	O RING	2				0.001	0.0022
030	04811-10300	O RING	2				0.001	0.0022
040	66021-36390	FILTER OIL	1				0.185	0.407
050	32170-38170	BOLT HYD.PIPE JOINT	1				0.09	0.198
060	66204-36712	PIPE SUCTION REAR	1				0.66	1.452
070	66204-36720	HOSE	1				0.04	0.088
080	66204-36230	BAND PIPE	2				0.02	0.044
090	66204-36136	PIPE DELIVERY	1				1.3	2.86
100	67111-37180	GASKET	4				0.003	0.0066
110	66591-36250	JOINT	2				0.08	0.176
120	66204-36120	CLAMP PIPE	2				0.01	0.022
130	03016-50640	SCREW CSK-HD	1				0.008	0.0176
140	66604-36160	COVER	1				0.23	0.506
150	01153-50838	BOLT	4				0.017	0.0374
160	04013-50080	WASHER PLAIN	4				0	0
170	04512-50080	WASHER SPRING	4				0.001	0.0022
180	04811-00200	O RING	2				0.001	0.0022
190	06312-10020	PLUG	1				0.015	0.033





↔ Interchangeable; ≠ not interchangeable; ← new for old; → old for new

REF.No	Part No.	Description	Q'ty	S.No.	I/C	REMARKS	Weight (kgf)	Weight (lb)
010	66204-36150	JOINT INLET	1				0.07	0.154
020	04811-00180	O RING	1				0.001	0.0022
030	66021-36060	CARTRIDGE OIL FILTER	1				0.34	0.748
040	66204-36170	JOINT FILTER	1				0.018	0.0396
050	66204-36192	PIPE INLET	1				0.34	0.748
060	04811-06400	O RING	2				0.001	0.0022
070	66204-36210	FILTER OIL	1				0.367	0.8074
080	66204-36220	HOSE	1				0.07	0.154
090	66204-36230	BAND PIPE	2				0.02	0.044
100	66204-36240	PIPE SUCTION	1				0.35	0.77
110	66591-36250	JOINT	1				0.08	0.176
120	67111-37180	GASKET	2				0.003	0.0066
130	66204-36260	PIPE SUCTION	1				0.6	1.32
140	66204-36270	HOSE	2				0.038	0.0836
150	66204-36280	BAND PIPE	4				0.02	0.044