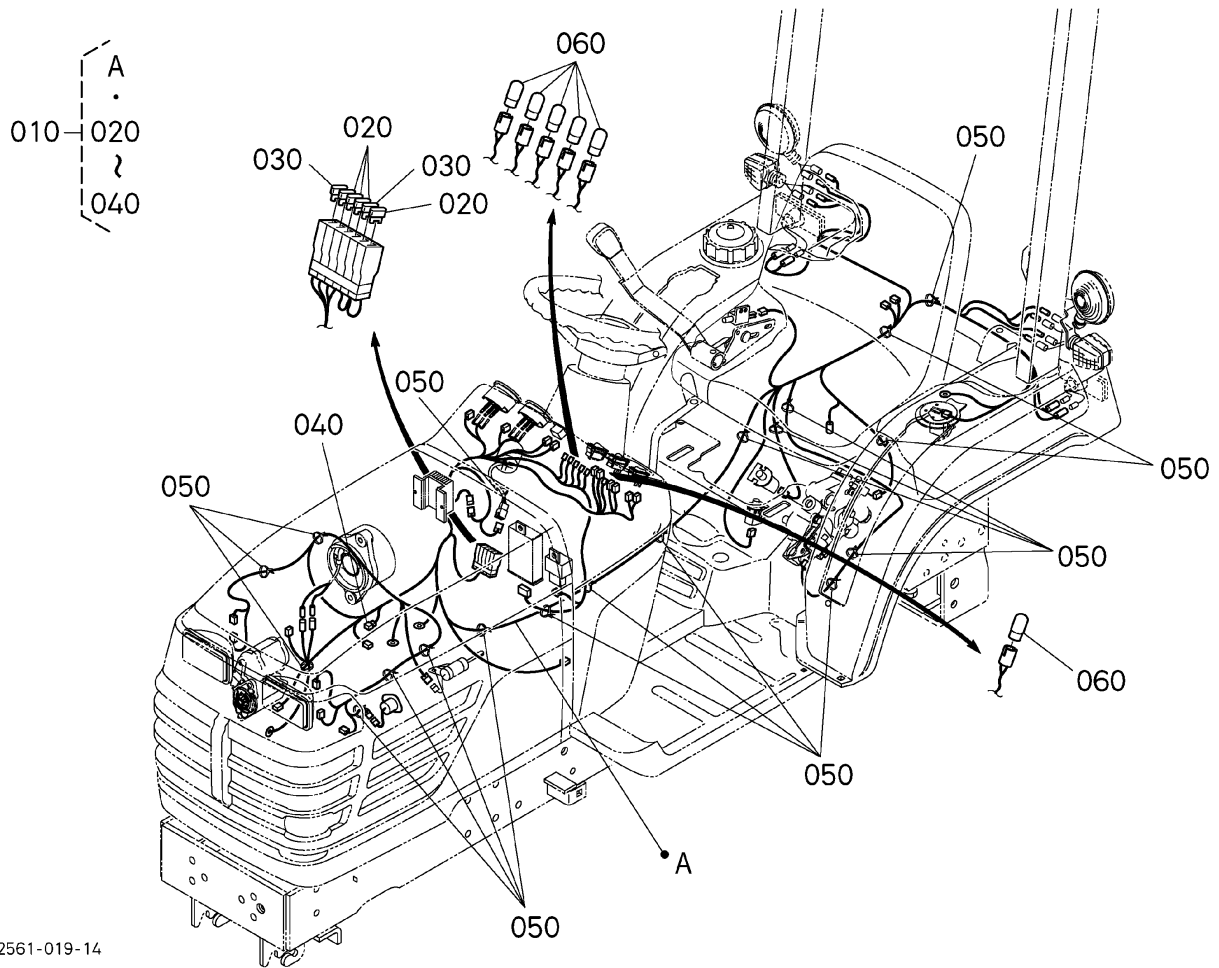


BX2200D -> ELECTRICAL SYSTEM -> B50102 ELECTRICAL WIRING

Update Date: 06/13/2012, Printing Date: 11/24/2012



K2561-019-14

No	Part Number	Part Name	Qty	IC	S/N	Remarks	lbs
010	K2561-63223	ASSY WIRE HARNESS	1				3.08
020	35820-75560	FUSE	4		15A		0.0044
030	36919-56650	FUSE,AUTO	2		20A		0.0044
040	51950-29320	FUSE	1		30A		0.011
050	K1122-61230	CABLE,TIE	19				0.0022
060	K1142-62350	BULB	6				0.022