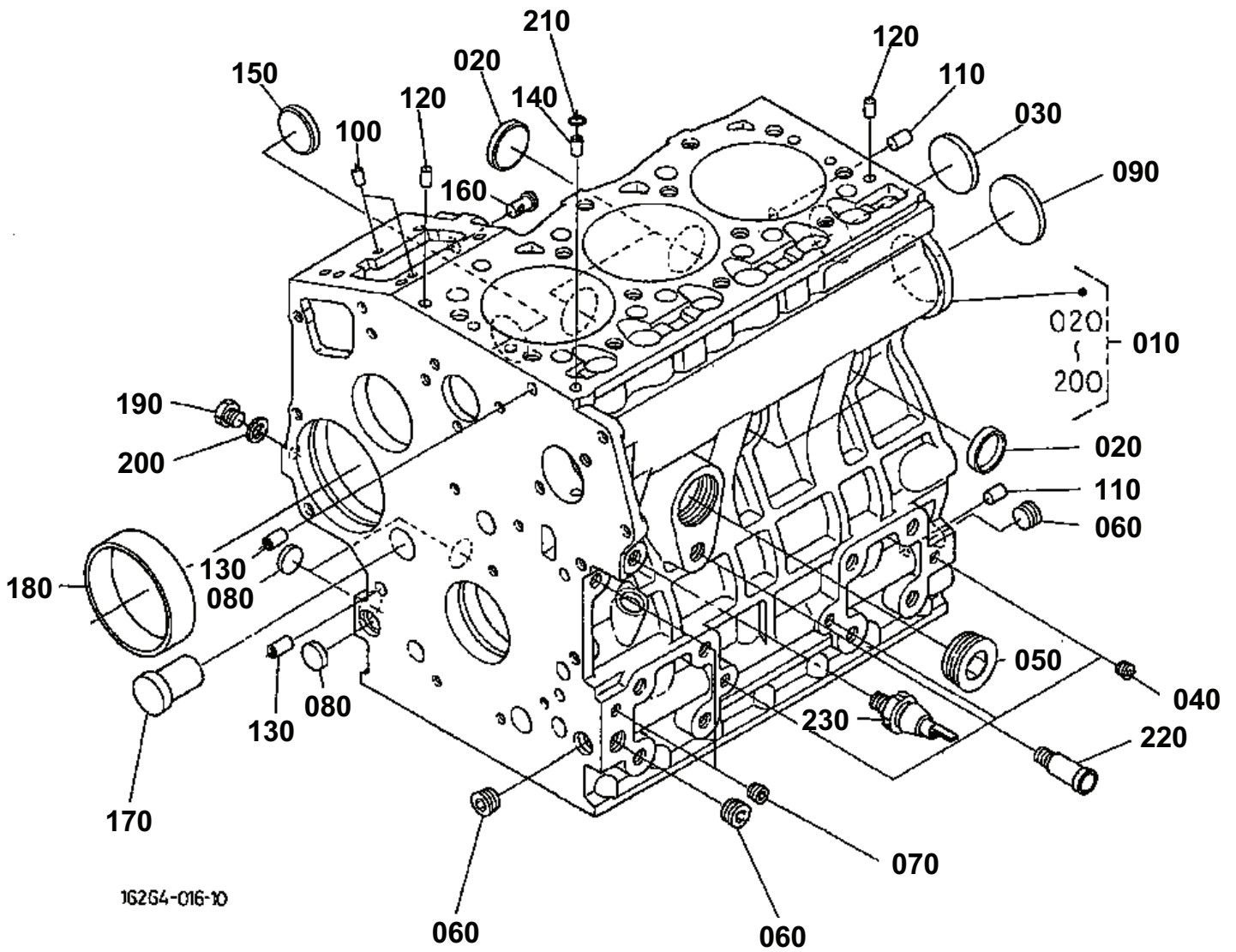


CRANK CASE



16264-C16-10