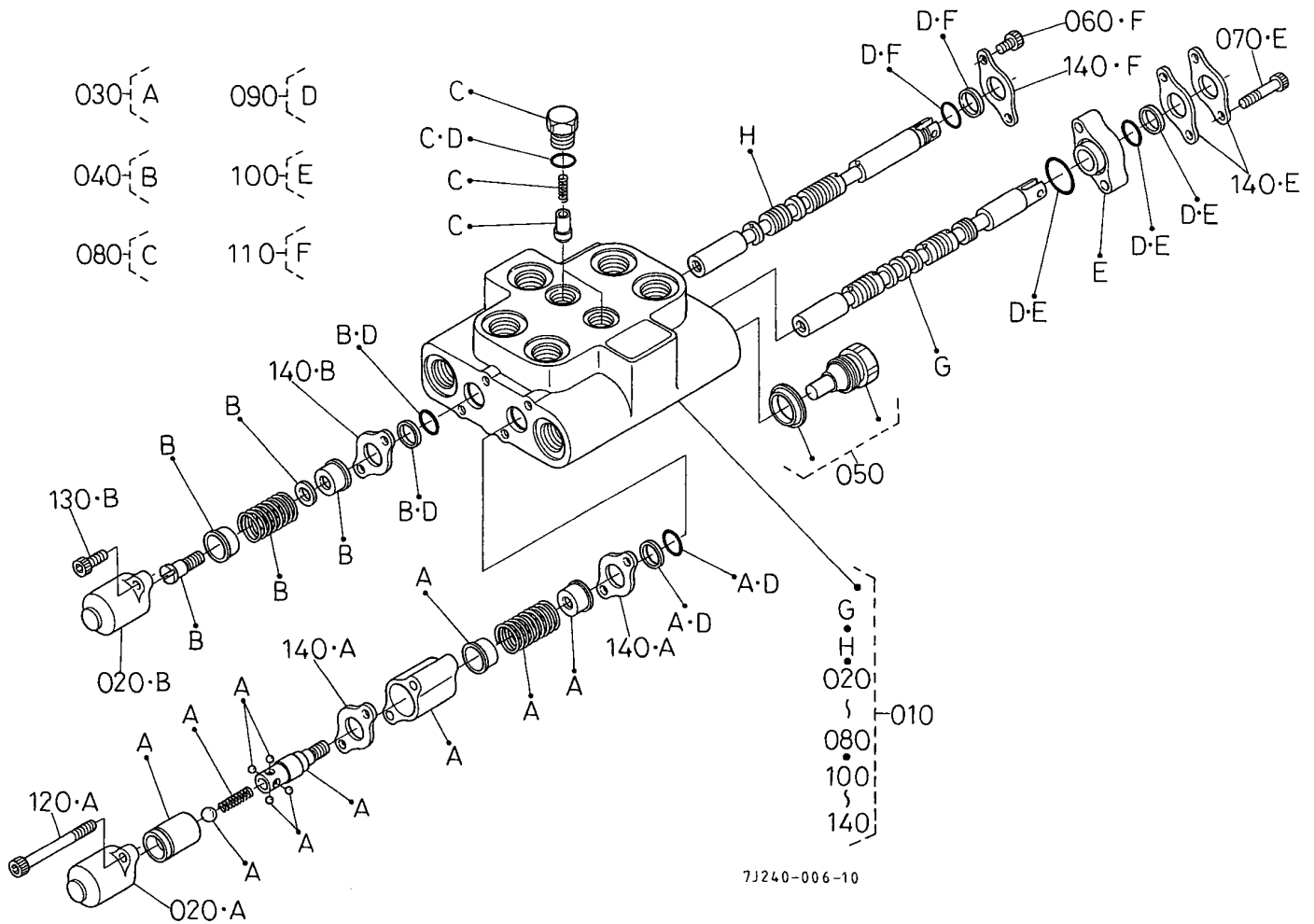


LA852 -> CONTROL VALVE -> B00500 CONTROL VALVE [COMPONENT PARTS]

Update Date: 03/06/2007, Printing Date: 06/26/2013



7J240-006-10

No	Part Number	Part Name	Qty	IC	S/N	Remarks	lbs
010	7J240-61010	VALVE,CONTROL	1			#9210-B3	16.5
020	75540-61450	CAP,SPOOL	2		ASK DEALER	5028	0.0704
020	7J266-61450	CAP-SPOOL	2	=	ASK DEALER	5028-6	0.44
030	75536-65400	KIT DETENT,FLOAT	1			#59221	0.462
040	7J240-65100	KIT REGEN.	1			#59243	0.22
050	75546-65100	SHUT-OFF PLUG ASSY	1			#52610	0.22
060	75536-65700	CAP SCREW-SOC.HD.	2			#3386	0.0044
070	75540-61410	CAP SCREW-SOC.HD.	2			3424	0.022
080	75536-65200	KIT LOAD CHECK	2			#59238	0.066
090	75536-65300	KIT SEAL	1			#59239	0.0132
100	75536-65500	KIT UPPER,BOOM SPOOL.	1			#59223	0.2244
110	75536-65600	KIT UPPER,BKT SPOOL	1			#59224	0.055
120	75536-65900	CAP SCREW-SOC.HD.	2			#5217	0.044
130	75540-61460	CAP SCREW-SOC.HD.	2			5035	0.0022
140	75540-61330	PLATE-SEAL	6			5012	0.0264