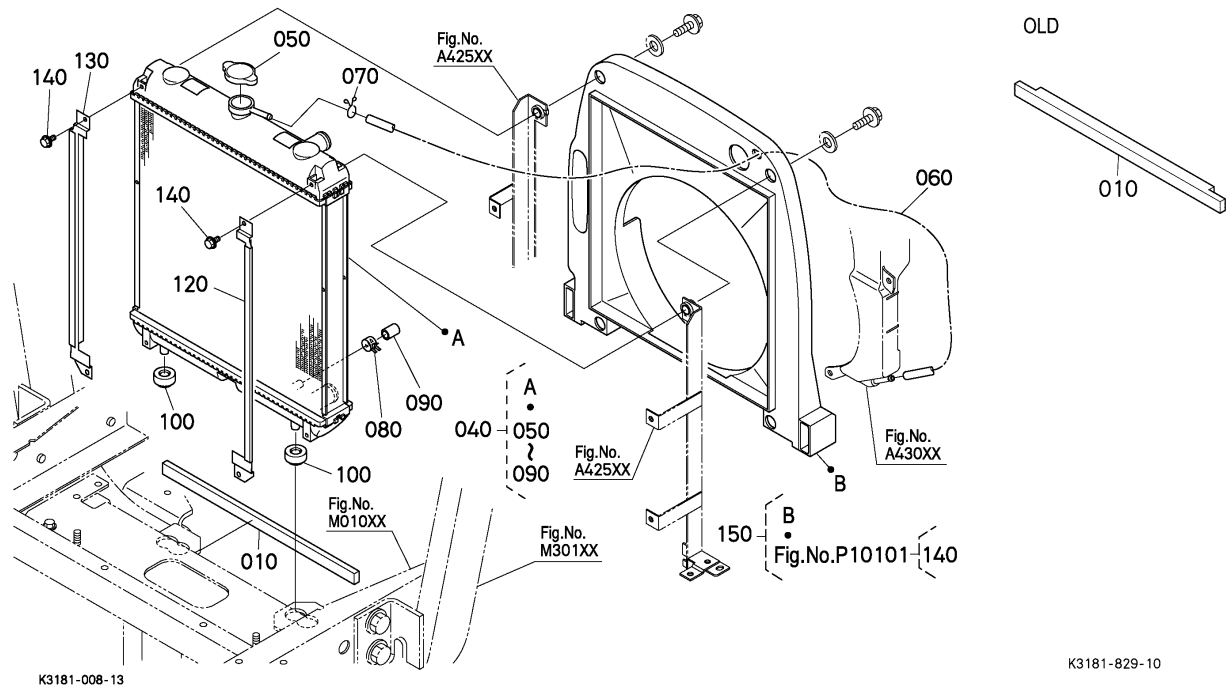


ZD326P -> COOLING WATER SYSTEM -> A42000 RADIATOR

Update Date: 06/13/2013, Printing Date: 06/30/2013



K3181-008-13

K3181-829-10

No	Part Number	Part Name	Qty	IC	S/N	Remarks	lbs
010	K3181-21140	SPONGE,RADIATOR	1		ASK DEALER		0.0
010	K3181-21143	SPONGE,RADIATOR	1	>>	ASK DEALER		0.0
010	K3181-21144	SPONGE,RADIATOR	1	>>	ASK DEALER		0.0
040	K3181-85112	RADIATOR,ASSY	1				0.0
050	17214-72020	CAP,ASSY(RADIATOR)	1				0.11
060	K3181-85052	HOSE,RUBBER	1				0.0
070	6C040-58710	CLIP	1				0.0044
080	RC411-42510	CLAMP	1				0.011
090	RC411-42390	CAP	1				0.011
100	K2110-85120	CUSHION(RADIATOR)	2				0.0462
120	K3181-85210	GUIDE NET,LH	1		ASK DEALER		0.0
120	K3181-85213	GUIDE,NET LH	1	>>	ASK DEALER		0.0
130	K3181-85310	GUIDE NET,RH	1		ASK DEALER		0.0
130	K3181-85313	GUIDE,NET RH	1	>>	ASK DEALER		0.0
140	01754-50612	BOLT,FLANGE	4				0.011
150	K3181-98120	KIT,SHROUD	1				0.0