

NOTE: Adaptor fittings (19 & 20) Figure 3 may be installed in either end of relief valve (21).
 1. Install 3/8 x 90° adaptor fittings (19) into relief valve (21).
 2. Install 3/8 x 90° adaptor fitting (20) Figure 3 and 3/8-

1. Install 3/8-3/8 x 90° adaptor fittings (3) Figure 3 into the base port of each bucket cylinder (9) Figure 2.
 2. Install 3/8 x 38" hoses (1) Figure 3 from rod port of each lift cylinder to oil line tube (11) Figure 3. Secure hoses (1) Figure 3 to the lift cylinders with hose clamps (2) Figure 3.

PLUMBING BUCKET CYLINDERS

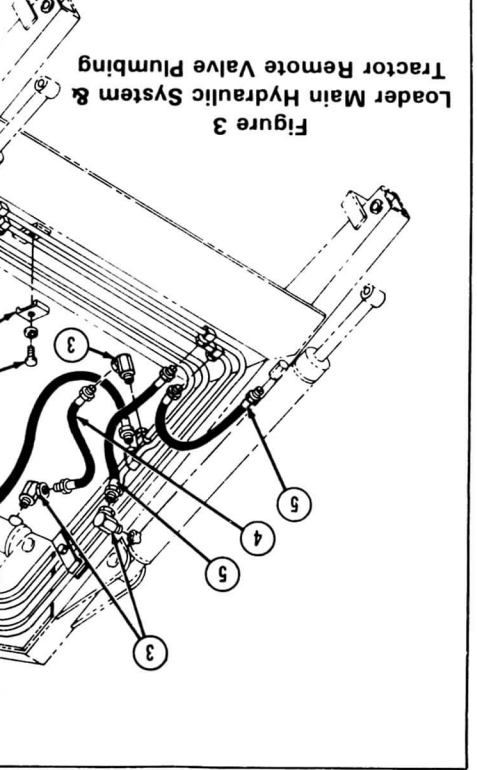
NOTE: When making pipe fitting connections, the use of sealer tape or liquid sealant is recommended, however, be careful that tape or sealant does not enter hydraulic system.

1. Install 3/8 x 42" hoses (14) Figure 3 to boom oil line tubes (9-12). Secure hoses (14) Figure 3 together with adjustable tie straps (13) Figure 3.

1. Install 3/8 x 19" hoses (5) Figure 3 from base port of each bucket cylinder (9) Figure 2 to oil line tube (10).
 2. Install 3/8 x 19" hoses (5) Figure 3 from rod port of each bucket cylinder (9) Figure 2 to oil line tube (10).
 3. Install 3/8 x 19" hoses (5) Figure 3 from base port of each bucket cylinder (9) Figure 2 to oil line tube (12) Figure 3.

PLUMBING LIFT CYLINDERS

ITEM NO.	DESCRIPTION	QTY.
1	HOSE, SAE100R1, 3/8 x 38"	1
2	CLAMP, Hose	2
3	FITTING, Adaptor, 3/8-3/8 x 90°	6
4	HOSE, SAE100R1, 3/8 x 10"	2
5	HOSE, SAE100R1, 3/8 x 19"	4
6	CLAMP, Tube	4
7	SCREW, Cap, 3/8-24 x 1"	2
8	WASHER, Lock, 3/8	4
9	TUBE, Oil Line (BCB)	1
10	TUBE, Oil Line (BCR)	1
11	TUBE, Oil Line (LCR)	1
12	TUBE, Oil Line (LCB)	1
13	STRAP, Adjustable Tie, 3/16 x 11"	2



INSTALLING HOSES TO BOOM OIL LINES

1. Install 3/8 x 42" hoses (14) Figure 3 to boom oil line tubes (9-12). Secure hoses (14) Figure 3 together with adjustable tie straps (13) Figure 3.

INSTALLING RELIEF VALVE ON 1310, 1510 & 1710 TRACTORS WHEN USING TRACTOR REMOTE VALVE

1. Install 3/8 x 90° adaptor fittings (19) into relief valve (21).
 2. Install 3/8 x 90° adaptor fitting (20) Figure 3 and 3/8-