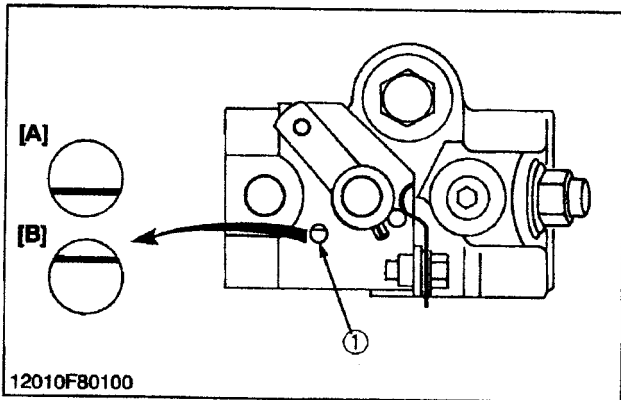


Hydraulic Control Screw



The hydraulic control screw is provided to change the direction of hydraulic oil flow from hydraulic pump to front loader control valve or to three point hitch hydraulic system.

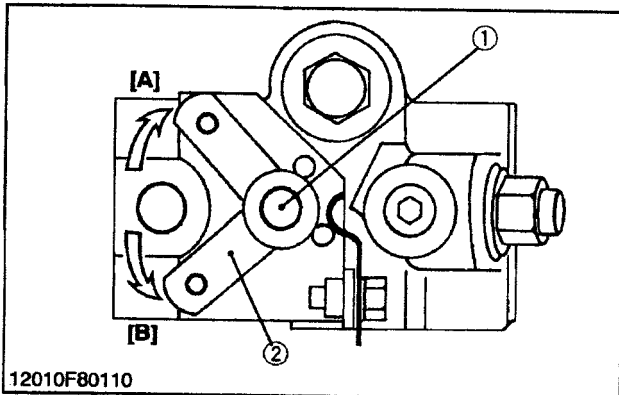
(1) Hydraulic Control Screw

(A) Without Front Loader Position

(B) With Front Loader Position (Hydraulic Outlet Position)

12010M80110

Selector Valve



The selector valve is provided to change the direction of hydraulic oil flow from backhoe or front loader control valve to oil tank or to three point hitch hydraulic system.

When using the backhoe, push down the selector valve lever, and which using the three point hitch hydraulic system, pull up.

(1) Selector Valve

(2) Selector Valve Lever

(A) Three Point Hitch Position

(B) Backhoe Position