



**John Deere - Parts Catalog**  
Printer Friendly Page

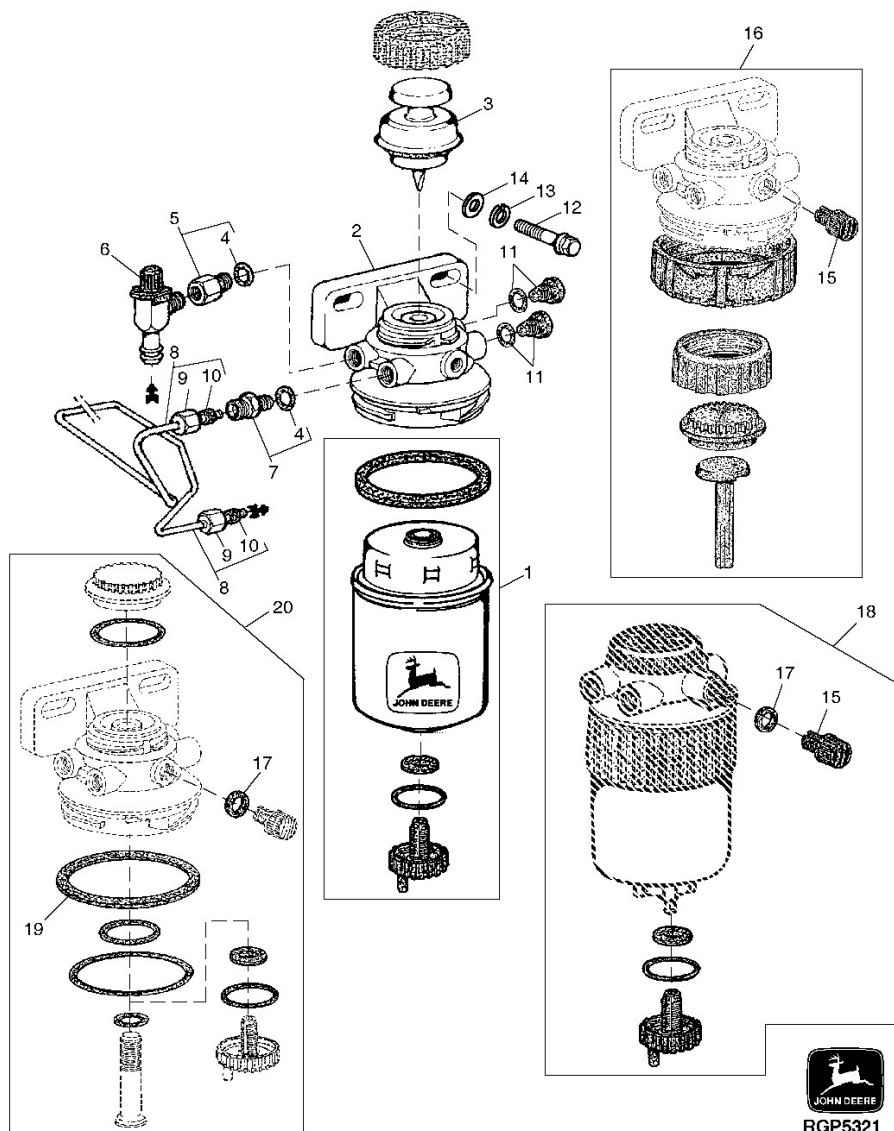
[Close Window](#)

Catalog: 2767 | Grid: 0 | Section: 103 | Page: 166

Catalog Name: 5105 and 5205 Tractors

Page Name: Fuel Filter, Fittings, Lines And Kits

Direction of Travel:



key	PART NO.	PART NAME	QTY	SERIAL NO.	REMARKS
1	RE60021	Filter Element	1		
2	RE70358	Filter Head	1		FUEL FILTER (ALSO ORDER (2) RE46686)
3	RE50467	Hand Primer	1		
4	51M7040	O-Ring	AR		9.300 X 2.200 mm
5	RE71637	Adapter Fitting	1		
6	R109379	Elbow Fitting	1		
7	RE60029	Adapter Fitting	1		
8	RE509283	Fuel Line	1		(SUB FOR RE71144)
9	R123594	Tube Nut	2		

10	R74012	Sealing Washer	2		
<b>key</b>	<b>PART NO.</b>	<b>PART NAME</b>	<b>QTY</b>	<b>SERIAL NO.</b>	<b>REMARKS</b>
11	RE46686	Fitting	2		
12	19H3239	Cap Screw	2		3/8" X 1-1/4" (HS, SAE 8)
13	12H304	Lock Washer	2		3/8"
14	24H1304	Washer	2		13/32" X 23/32" X 0.120"
15	R113563	Drain Plug	1		
16	RE51649	Seal Kit	1		MECHANICAL PARTS
17	R113562	O-Ring	1		
18	RE60854	Valve Kit	1		VALVE
19	R113565	O-Ring	1		DUST SEAL
20	RE516553	Seal Kit	1		(SUB FOR RE50752)
<b>key</b>	<b>PART NO.</b>	<b>PART NAME</b>	<b>QTY</b>	<b>SERIAL NO.</b>	<b>REMARKS</b>
..	RE516513	Pump Repair Kit	1		