



**John Deere - Parts Catalog**  
**Printer Friendly Page**

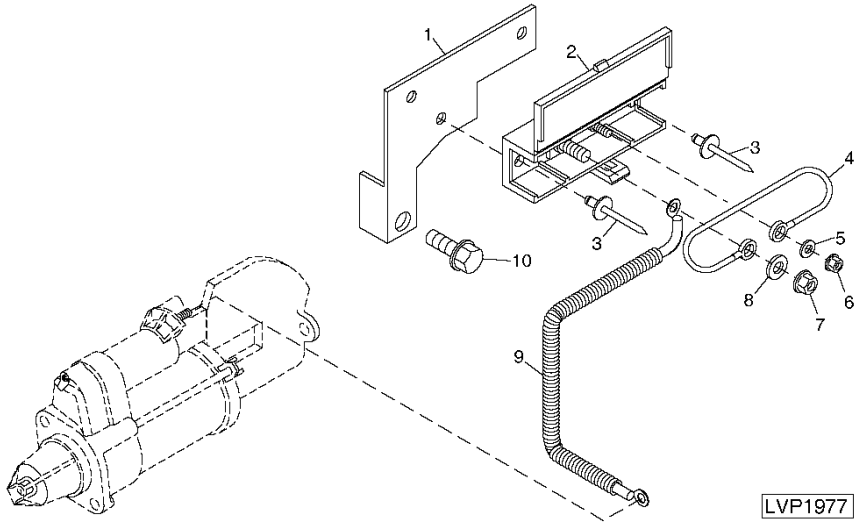
[Close Window](#)

Catalog: **2767** | Grid: **0** | Section: **40** | Page: **197**

Catalog Name: **5105 and 5205 Tractors**

Page Name: **FUSE LINK**

Direction of Travel:



key	PART NO.	PART NAME	QTY	SERIAL NO.	REMARKS
1	R136228	Bracket	1		
2	RE48867	Junction Block	1		
3	R79033	Rivet	2		
4	RE69298	Wiring Harness	1		
5	24M3739	Washer	1		8 X 15 X 2 mm
6	14M7298	Flange Nut	1		M8
7	14M7296	Flange Nut	1		M10
8	24M7239	Washer	1		10.700 X 21 X 2.500 mm
9	RE71264	Battery Cable	1		
10	19H2472	Cap Screw	1		1/2" X 1" (HS, SAE 8)