



John Deere - Parts Catalog
Printer Friendly Page

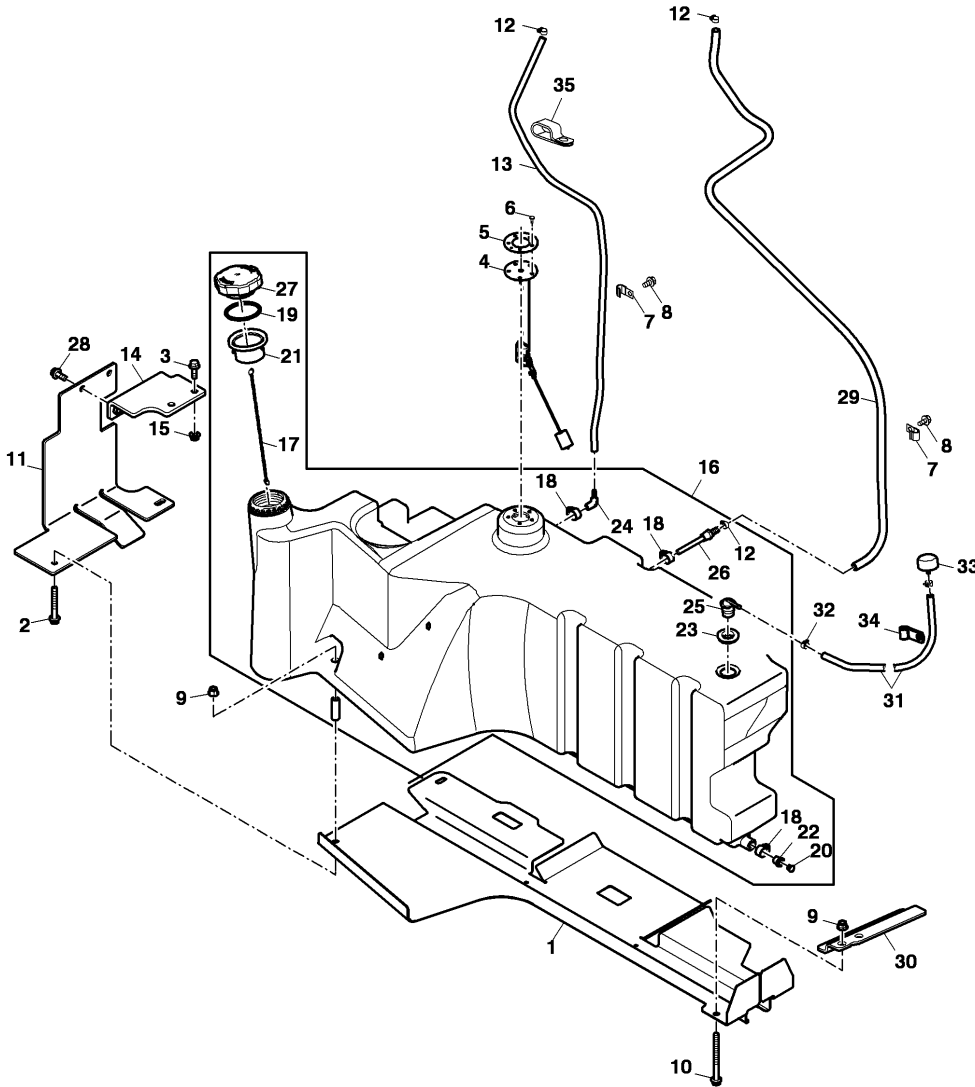
[Close Window](#)

Catalog: **9817** | Grid: **0** | Section: **300** | Page: **133**

Catalog Name: **5101E Limited / 5101E Tractor (Engine 4045HLV56,4045TLV64)**

Page Name: **Fuel Tank, Cab (340001 -)**

Direction of Travel:



PULV102316

key	PART NO.	PART NAME	QTY	SERIAL NO.	REMARKS
1	R226200	Support	1		
2	19M7810	Screw	2		M10 X 80
3	19M7786	Screw	2		M10 X 30
4	RE285548	Fuel Sender	1		
5	R287353	Gasket	1		
6	21M7265	Screw	5		M5 X 12
7	AH89557	Clip	2		(SUB FOR N10010)
8	19M7774	Screw	2		M6 X 12

9	14M7400	Lock Nut	4		M10
10	19M7944	Screw	2		M10 X 120
key	PART NO.	PART NAME	QTY	SERIAL NO.	REMARKS
11	SU20150	Bracket	1		
12	RE187161	Clamp	4		
13	TY22551	Bulk Hose	1		RETURN 410 MM (16.25 INCH) (CUT TO LENGTH)
14	SJ10675	Bracket	1		
15	14M7296	Flange Nut	2		M10
16	SJ10676	Fuel Tank	1		
17	AH159448	Link Chain	1		
18	AR21837	Hose Clamp	3		
19	L112337	Sealing Washer	1		
20	L2646N	Pipe Plug	1		
key	PART NO.	PART NAME	QTY	SERIAL NO.	REMARKS
21	L80418	Insert	1		
22	N30405	Adapter Fitting	1		
23	R114023	Grommet	1		
24	R117761	Elbow Fitting	1		
25	R237815	Vent	1		
26	RE278747	Hose Fitting	1		
27	SU295126	Filler Cap	1		
28	19M7785	Screw	2		M10 X 25
29	TY22552	Bulk Hose	1		SUPPLY 5600 MM (CUT TO LENGTH)
30	SU20947	Bracket	1		
key	PART NO.	PART NAME	QTY	SERIAL NO.	REMARKS
31	TY22551	Bulk Hose	1		VENT 2330 MM (CUT TO LENGTH)
32	R56101	Clip	1		
33	RE52504	Breather	1		
34	T24802	Clip	1		
35	R35668	Clamp	1		