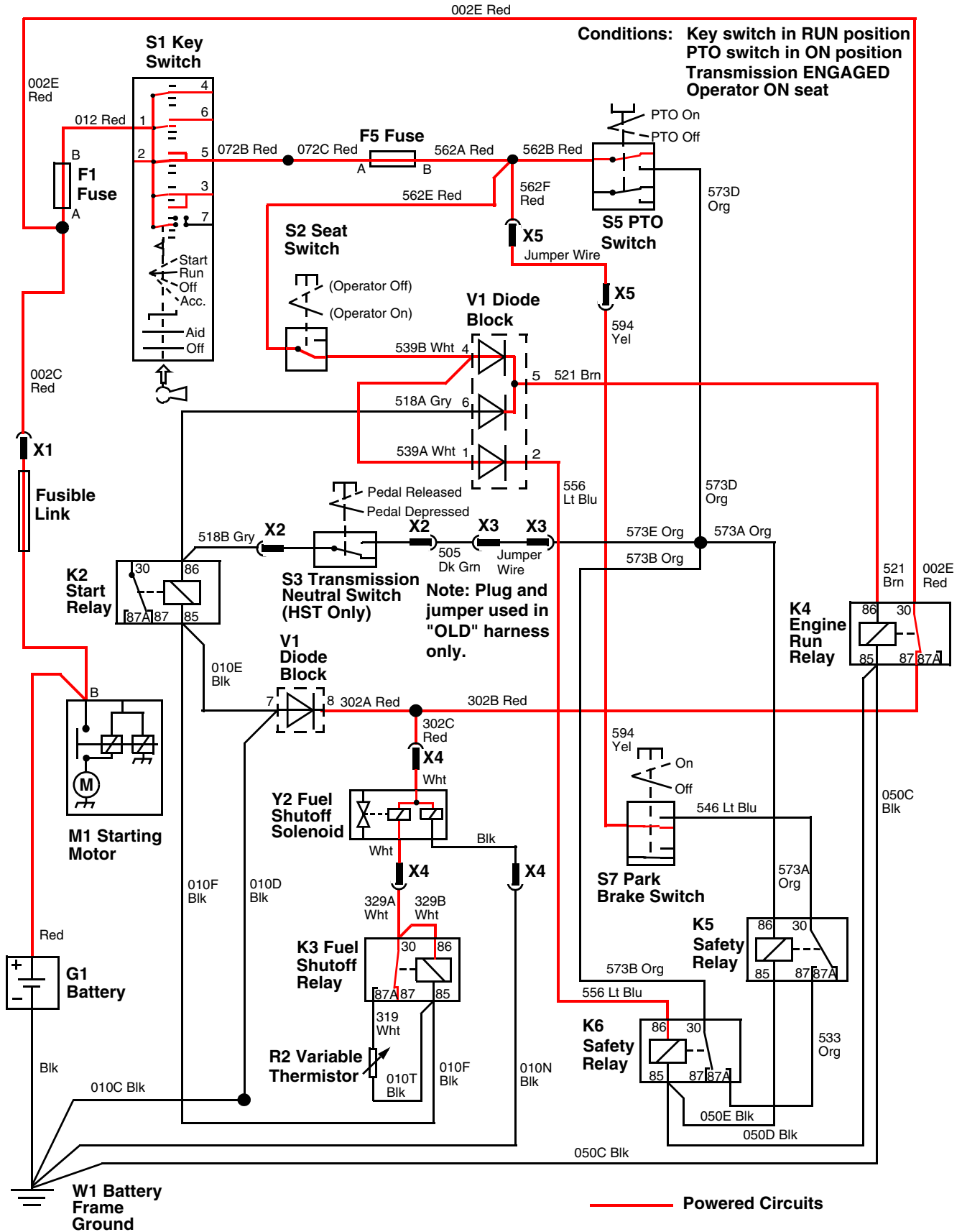


FUEL SUPPLY ELECTRICAL SCHEMATIC



SE1 - STARTING	SE2 - IGNITION
----------------	----------------